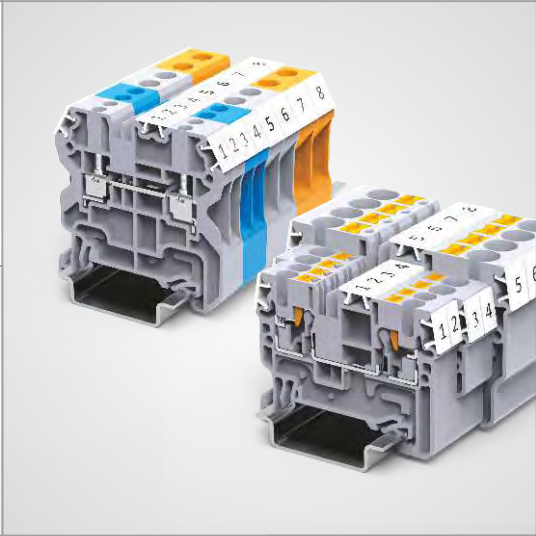
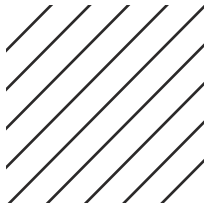
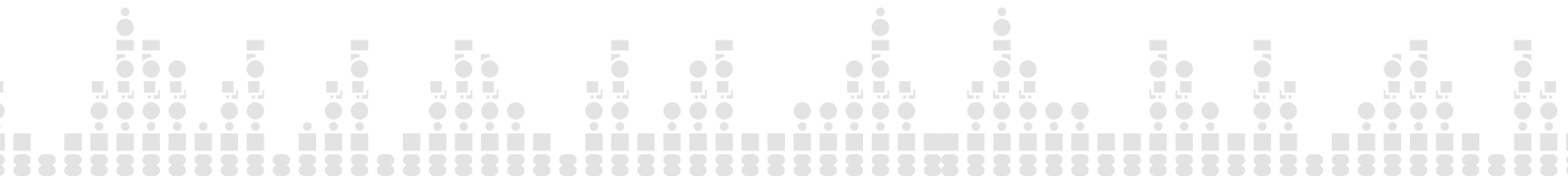
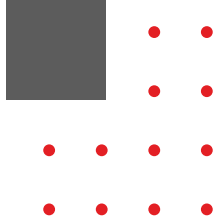


PRICE LIST



2023-2024
W.E.F 1ST JUNE 2023



INTRODUCTION

Established in 1978, Connectwell is the leading manufacturer of Terminal Blocks in India. This superior range of Terminal Blocks is complimented by a large range of Interface Modules, Professional Tools and SMPS (Switched-Mode Power Supplies).

Connectwell over the years has undergone constant evolution of infrastructure, systems and personnel. This evolution is exemplified by its high quality products and a team of professionals which is always looking ahead of everyday challenges, willing to change adapt and create.

Reputed product approvals and certifications like UL, CSA, VDE, ATEX and CE and quality systems which adhere to ISO 9001:2015 verify the quality level that can be expected of Connectwell.

More than four decades of incessant dedication and commitment have made Connectwell a synonym for

... THE RIGHT CONNECTION



PRODUCT LINES

Terminal Blocks

Interface Modules

SMPS (Switched-Mode Power Supplies)

Surge Protection Devices (SPD)



VISION

Connectwell is committed to provide safe, reliable and efficient control & connection solutions in line with ever changing technology requirements. We shall...

Empower domestic and global customers with products of the highest quality standards, with a competitive edge and at superior service levels.

Create a work culture that encourages individual growth, team spirit and creativity; helping us overcome challenges and attain goals.

Deploy fair & ethical business practices for the growth of our vendors and maximize returns to our stakeholders.

Contribute towards the welfare of our community and follow environment friendly practices.

MISSION

Connectwell is dedicated to achieve customer satisfaction by, supplying the Right Product, at the Right Time and at the Right Cost.

QUALITY & SYSTEMS

At Connectwell we endeavour to keep evolving our systems in line with the latest standards and technology.

In addition to being an ISO 9001:2015 certified organization, all our business processes are mapped into various internal and customer facing IT systems, ranging from a world class ERP, CRM & PLM systems to extremely user friendly customer portal, product configurators and product website.

Our quality control laboratory has been approved for 'Witness Test Data Program' by Underwriters Laboratories (UL). This ensures that the quality testing carried out by our laboratory is not only accurate but also acceptable to the most stringent third party product testing organizations.

Connectwell products carry third part approvals from the most trusted organizations in the world, including but not being limited to UL, CSA, VDE, ATEX and CE.



INFRASTRUCTURE

From product conceptualization to realization, we are well equipped with the latest software and high precision machinery to meet the requirements of our customers.

Some of these strengths are listed below

Injection and Compression Moulding: Highly automated production floors with CNC moulding machines supported by high accuracy moulding auxiliaries ensures repeatable high quality production.

Sheet Metal Processing - Our strength in sheet metal processing lies in the ability to use high speed multi station and multi form presses to create complex metal components with a very high degree of accuracy. We also have the capability to carry out a number of post forming processes like tapping, welding etc.

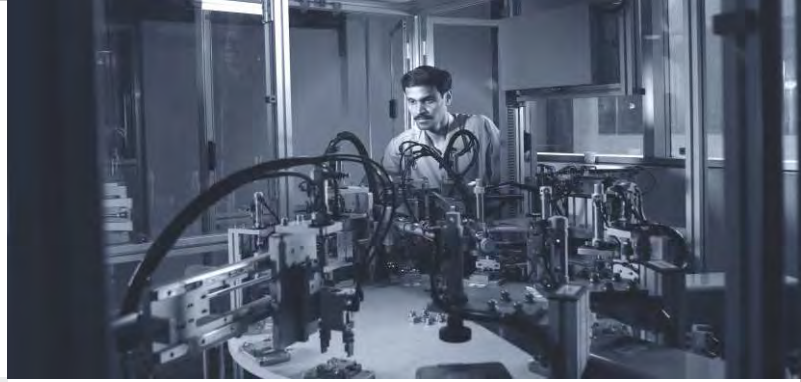
Automatic Mechanical Assembly: A very large volume of our products are assembled automatically on automatic assembly lines, which also carry out 100% functional testing of these products, assuring quality and reliability.

Tool Development & Maintenance: At our state of the art production tool room we produce both sheet metal tools and plastic processing moulds at extremely high accuracy levels. In addition, a maintenance tool room supports production areas and ensures continuity of production.



Product Design & Development: Our team works on a Product Life cycle Management platform which enables easy use of various mechanical and electrical design and simulation tools in addition to being able to efficiently manage projects and engineering data.

This ensures that we are able to produce high quality products and tools in shorter time frames, allowing us to better service our customer's needs.



PRESENCE

Our customers range from the largest to the smallest entities in the below industries

- | Power Generation, Transmission & Utilities |
- | Oil & Gas | Industrial & Process Automation |
- | HVAC | Elevators & Escalators |
- | Material handling | Railways & Metros |
- | Ship Building & Aviation |

REACH

We serve our customers through an expansive dealer network spread across India & the globe and also through our direct offices.

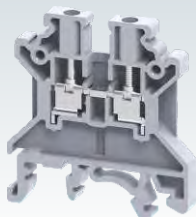
In India, we have more than 202 distributors located across all major towns & cities. In addition to our distributor network, our Sales & Marketing personnel located in all major cities of India interact with customers directly, to understand and meet their requirements.

Internationally, Connectwell is present directly in China, Brazil & Middle East through its subsidiaries and personnel. In addition we reach more than 70 other countries through distributors.

Some of the reputed names who we work with regularly are listed below

- | Siemens | Emerson | Indian Railways | Honeywell |
- | Crompton Greaves | Rockwell Automation | ABB |
- | Schneider Electric | Bharat Heavy Electrical Limited |
- | Larsen & Toubro |

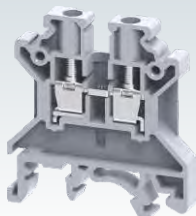




Wire Range : 0.2 - 2.5 mm²
 Current (A) : 24 A
 Voltage (V) : 1000 V
 Dimensions Width (Thickness) x Length : 5 x 43 mm
 Height with Din 35 x 7.5 mm Rail : 46.2 mm



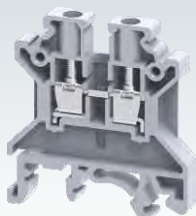
	Part #	Description	Std. Pack	UOM	List Price in	Group
TERMINAL BLOCK	CTS2.5UN	2.5 mm ² FEED THRU SCREW CLAMP TERMINAL	100	EA	9.10	B
	CTS2.5UNBU	2.5 mm ² FEED THRU SCREW CLAMP TB BLUE	100	EA	10.00	B
	CTS2.5UNBK	2.5 mm ² FEED THRU SCREW CLAMP TB BLACK	100	EA	10.00	B
	CTS2.5UNR	2.5 mm ² FEED THRU SCREW CLAMP TB RED	100	EA	10.00	B
	CTS2.5UNY	2.5 mm ² FEED THRU SCREW CLAMP TB YELLOW	100	EA	10.00	B
	CTS2.5UNGN	2.5 mm ² FEED THRU SCREW CLAMP TB GREEN	100	EA	10.00	B
ACCESSORIES	EP2.5/4UN	END PLATE FOR CTS2.5UN/4UN	50	EA	5.80	B
	PP2.5/4UN	PARTITION PLATE FOR CTS2.5UN/4UN/2.5UE	50	EA	11.40	B
	CA721/2	2P PRE ASSEMBLED SHRT LNK FR 5mm WIDE TB	100	EA	13.50	B
	CA721/3	3P PRE ASSEMBLED SHRT LNK FR 5mm WIDE TB	100	EA	20.10	B
	CA721/4	4P PRE ASSEMBLED SHRT LNK FR 5mm WIDE TB	100	EA	26.80	B
	CA721/10	10P PRE ASSEM SHORT LINK FOR 5mm WIDE TB	10	EA	66.90	B
	CA509/K5WHT	5 mm WIDE MARKER BLANK	1	PKT	81.50	B
	CA509/K5WP	5 mm WIDE MARKER PRINTED	1	PKT	93.10	B



Wire Range : 0.2 - 4.0 mm²
 Current (A) : 30 A
 Voltage (V) : 1000 V
 Dimensions Width (Thickness) x Length : 6 x 43 mm
 Height with Din 35 x 7.5 mm Rail : 46.2 mm



	Part #	Description	Std. Pack	UOM	List Price in	Group
TERMINAL BLOCK	CTS2.5UE	2.5 mm ² FEED THRU SCREW CLAMP TERMINAL	100	EA	11.30	B
	CTS2.5UEBU	2.5 mm ² FEED THRU SCREW CLAMP TB BLUE	100	EA	12.40	B
	CTS2.5UEBK	2.5 mm ² FEED THRU SCREW CLAMP TB BLACK	100	EA	12.40	B
	CTS2.5UER	2.5 mm ² FEED THRU SCREW CLAMP TB RED	100	EA	12.40	B
	CTS2.5UEY	2.5 mm ² FEED THRU SCREW CLAMP TB YELLOW	100	EA	12.40	B
	CTS2.5UEGN	2.5 mm ² FEED THRU SCREW CLAMP TB GREEN	100	EA	12.40	B
ACCESSORIES	EP2.5/4UN	END PLATE FOR CTS2.5UN/4UN	50	EA	5.80	B
	PP2.5/4UN	PARTITION PLATE FOR CTS2.5UN/4UN/2.5UE	50	EA	11.40	B
	CA722/2	2P PRE ASSEMBLED SHRT LNK FR 6mm WIDE TB	100	EA	13.50	B
	CA722/3	3P PRE ASSEMBLED SHRT LNK FR 6mm WIDE TB	100	EA	20.10	B
	CA722/4	4P PRE ASSEMBLED SHRT LNK FR 6mm WIDE TB	100	EA	26.80	B
	CA722/10	10P PRE ASSEM SHORT LINK FOR 6mm WIDE TB	10	EA	66.90	B
	CA509/K6WHT	6 mm WIDE MARKER BLANK	1	PKT	81.50	B
	CA509/K6WP	6 mm WIDE MARKER PRINTED	1	PKT	93.10	B

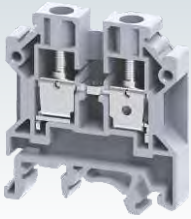


Wire Range : 0.2 - 4.0 mm²
 Current (A) : 32 A
 Voltage (V) : 1000 V
 Dimensions Width (Thickness) x Length : 6 x 43 mm
 Height with Din 35 x 7.5 mm Rail : 46.2 mm




	Part #	Description	Std. Pack	UOM	List Price in	Group
TERMINAL BLOCK	CTS4UN	4 mm ² FEED THRU SCREW CLAMP TERMINAL	100	EA	11.50	B
	CTS4UNBU	4 mm ² FEED THRU SCREW CLAMP TB BLUE	100	EA	12.60	B
	CTS4UNBK	4 mm ² FEED THRU SCREW CLAMP TB BLACK	100	EA	12.60	B
	CTS4UNR	4 mm ² FEED THRU SCREW CLAMP TB RED	100	EA	12.60	B
	CTS4UNY	4 mm ² FEED THRU SCREW CLAMP TB YELLOW	100	EA	12.60	B
	CTS4UNGN	4 mm ² FEED THRU SCREW CLAMP TB GREEN	100	EA	12.60	B
ACCESSORIES	EP2.5/4UN	END PLATE FOR CTS2.5UN/4UN	50	EA	5.80	B
	PP2.5/4UN	PARTITION PLATE FOR CTS2.5UN/4UN/2.5UE	50	EA	11.40	B
	CA722/2	2P PRE ASSEMBLED SHRT LNK FR 6mm WIDE TB	100	EA	13.50	B
	CA722/3	3P PRE ASSEMBLED SHRT LNK FR 6mm WIDE TB	100	EA	20.10	B
	CA722/4	4P PRE ASSEMBLED SHRT LNK FR 6mm WIDE TB	100	EA	26.80	B
	CA722/10	10P PRE ASSEM SHORT LINK FOR 6mm WIDE TB	10	EA	66.90	B
	CA509/K6WHT	6 mm WIDE MARKER BLANK	1	PKT	81.50	B
	CA509/K6WP	6 mm WIDE MARKER PRINTED	1	PKT	93.10	B

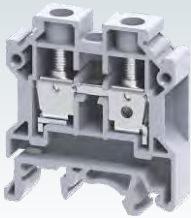
CTS SERIES STANDARD SCREW CLAMP TERMINAL BLOCKS




Wire Range : 0.5 - 6.0 mm²
 Current (A) : 41 A
 Voltage (V) : 1000 V
 Dimensions Width (Thickness) x Length : 8 x 43 mm
 Height with Din 35 x 7.5 mm Rail : 47.8 mm



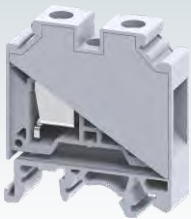
	Part #	Description	Std. Pack	UOM	List Price in	Group
TERMINAL BLOCK	CTS6U	6 mm ² FEED THRU SCREW CLAMP TB	100	EA	16.00	B
	CTS6UBU	6 mm ² FEED THRU SCREW CLAMP TB BLUE	100	EA	17.60	B
	CTS6UBK	6 mm ² FEED THRU SCREW CLAMP TB BLACK	100	EA	17.60	B
	CTS6UR	6 mm ² FEED THRU SCREW CLAMP TB RED	100	EA	17.60	B
	CTS6UY	6 mm ² FEED THRU SCREW CLAMP TB YELLOW	100	EA	17.60	B
	CTS6UGN	6 mm ² FEED THRU SCREW CLAMP TB GREEN	100	EA	17.60	B
ACCESSORIES	EP6/10U	END PLATE FOR CTS6U/10U	50	EA	6.30	B
	PP6/10U	PARTITION PLATE FOR CTS6U/10U	50	EA	14.10	B
	CA723/2	2P PRE ASSEM SHRT LINK FOR 8mm WIDE TB	100	EA	16.50	B
	CA723/3	3P PRE ASSEM SHRT LINK FOR 8mm WIDE TB	50	EA	24.80	B
	CA723/4	4P PRE ASSEM SHRT LINK FOR 8mm WIDE TB	50	EA	33.00	B
	CA723/10	10P PRE ASSEM SHRT LINK FOR 8mm WIDE TB	10	EA	82.20	B
	CA509/K8WHT	8 mm WIDE MARKER BLANK	1	PKT	93.10	B
	CA509/K8WP	8 mm WIDE MARKER PRINTED	1	PKT	106.30	B




Wire Range : 0.5 - 10.0 mm²
 Current (A) : 57 A
 Voltage (V) : 1000 V
 Dimensions Width (Thickness) x Length : 10 x 43 mm
 Height with Din 35 x 7.5 mm Rail : 47.8 mm



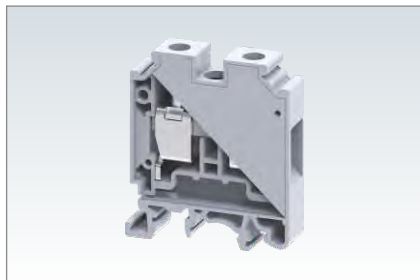
	Part #	Description	Std. Pack	UOM	List Price in	Group
TERMINAL BLOCK	CTS10U	10 mm ² FEED THRU SCREW CLAMP TERMINAL	100	EA	20.40	B
	CTS10UBU	10 mm ² FEED THRU SCREW CLAMP TB BLUE	100	EA	22.40	B
	CTS10UBK	10 mm ² FEED THRU SCREW CLAMP TB BLACK	100	EA	22.40	B
	CTS10UR	10 mm ² FEED THRU SCREW CLAMP TB RED	100	EA	22.40	B
	CTS10UY	10 mm ² FEED THRU SCREW CLAMP TB YELLOW	100	EA	22.40	B
	CTS10UGN	10 mm ² FEED THRU SCREW CLAMP TB GREEN	100	EA	22.40	B
ACCESSORIES	EP6/10U	END PLATE FOR CTS6U/10U	50	EA	6.30	B
	PP6/10U	PARTITION PLATE FOR CTS6U/10U	50	EA	14.10	B
	CA724/2	2P PRE ASSEMBLED SHRT LNK FR 6mm WIDE TB	100	EA	17.90	B
	CA724/3	3P PRE ASSEMBLED SHRT LNK FR 6mm WIDE TB	50	EA	26.80	B
	CA724/4	4P PRE ASSEMBLED SHRT LNK FR 6mm WIDE TB	50	EA	35.80	B
	CA724/10	10P PRE ASSEM SHORT LINK FOR 6mm WIDE TB	10	EA	89.10	B
	CA509/K10WHT	10 mm WIDE MARKER BLANK	1	PKT	101.50	B
	CA509/K10WP	10 mm WIDE MARKER PRINTED	1	PKT	114.80	B



Wire Range : 0.2 - 16.0 mm²
 Current (A) : 76 A
 Voltage (V) : 1000 V
 Dimensions Width (Thickness) x Length : 12 x 43 mm
 Height with Din 35 x 7.5 mm Rail : 47.8 mm



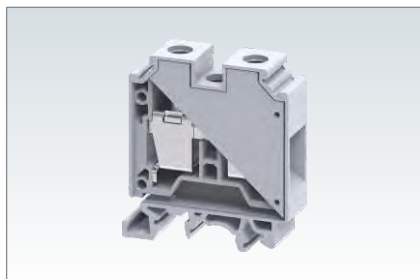
	Part #	Description	Std. Pack	UOM	List Price in	Group
TERMINAL BLOCK	CTS16U	16 mm ² FEED THRU SCREW CLAMP TERMINAL	50	EA	36.50	B
	CTS16UBU	16 mm ² FEED THRU SCREW CLAMP TB BLUE	50	EA	40.10	B
	CTS16UBK	16 mm ² FEED THRU SCREW CLAMP TB BLACK	50	EA	40.10	B
	CTS16UR	16 mm ² FEED THRU SCREW CLAMP TB RED	50	EA	40.10	B
	CTS16UY	16 mm ² FEED THRU SCREW CLAMP TB YELLOW	50	EA	40.10	B
	CTS16UGN	16 mm ² FEED THRU SCREW CLAMP TB GREEN	50	EA	40.10	B
ACCESSORIES	CA751/2	2P PRE ASSEM SHRT LINK FOR 12mm WIDE TB	50	EA	19.60	B
	CA751/3	3P PRE ASSEM SHRT LINK FOR 12mm WIDE TB	50	EA	29.40	B
	CA751/4	4P PRE ASSEM SHRT LINK FOR 12mm WIDE TB	50	EA	39.10	B
	CA751/10	10P INS PREASSEM SHRT LNK FR 12mm WIDE TB	10	EA	97.50	B
	CA509/K12WHT	12 mm WIDE MARKER BLANK	1	PKT	119.60	B
	CA509/K12WP	12 mm WIDE MARKER PRINTED	1	PKT	132.90	B



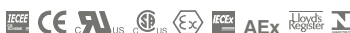
Wire Range : 4.0 - 25.0 mm²
 Current (A) : 101 A
 Voltage (V) : 1000 V
 Dimensions Width (Thickness) x Length : 12 x 48 mm
 Height with Din 35 x 7.5 mm Rail : 57.2 mm



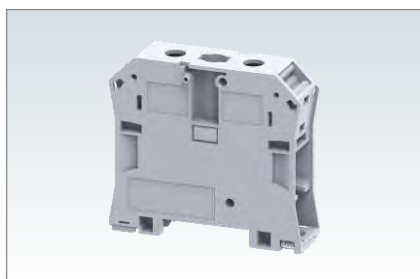
	Part #	Description	Std. Pack	UOM	List Price in	Group
TERMINAL BLOCK	CTS25UN	25 mm ² FEED THRU SCREW CLAMP TERMINAL	50	EA	58.30	B
	CTS25UNBU	25 mm ² FEED THRU SCREW CLAMP TB BLUE	50	EA	64.10	B
	CTS25UNBK	25 mm ² FEED THRU SCREW CLAMP TB BLACK	50	EA	64.10	B
	CTS25UNR	25 mm ² FEED THRU SCREW CLAMP TB RED	50	EA	64.10	B
	CTS25UNY	25 mm ² FEED THRU SCREW CLAMP TB YELLOW	50	EA	64.10	B
	CTS25UNGN	25 mm ² FEED THRU SCREW CLAMP TB GREEN	50	EA	64.10	B
ACCESSORIES	PP25UN	PARTITION PLATE FOR CTS25UN	50	EA	15.30	B
	CA725/2	2P PRE ASSEM SHRT LINK FOR 12mm WIDE TB	50	EA	21.80	B
	CA725/3	3P PRE ASSEM SHRT LINK FOR 12mm WIDE TB	20	EA	32.70	B
	CA725/4	4P PRE ASSEM SHRT LINK FOR 12mm WIDE TB	20	EA	43.50	B
	CA725/10	10P PRE ASSEM SHRT LINK FOR 12mm WIDE TB	10	EA	108.60	B
	CA509/K12WHT	12 mm WIDE MARKER BLANK	1	PKT	119.60	B
	CA509/K12WHP	12 mm WIDE MARKER PRINTED	1	PKT	132.90	B



Wire Range : 4.0 - 35.0 mm²
 Current (A) : 125 A
 Voltage (V) : 1000 V
 Dimensions Width (Thickness) x Length : 16 x 50.5 mm
 Height with Din 35 x 7.5 mm Rail : 59.2 mm



	Part #	Description	Std. Pack	UOM	List Price in	Group
TERMINAL BLOCK	CTS35UN	35 mm ² FEED THRU SCREW CLAMP TERMINAL	50	EA	79.70	B
	CTS35UNBU	35 mm ² FEED THRU SCREW CLAMP TB BLUE	50	EA	87.60	B
	CTS35UNBK	35 mm ² FEED THRU SCREW CLAMP TB BLACK	50	EA	87.60	B
	CTS35UNR	35 mm ² FEED THRU SCREW CLAMP TB RED	50	EA	87.60	B
	CTS35UNY	35 mm ² FEED THRU SCREW CLAMP TB YELLOW	50	EA	87.60	B
	CTS35UNGN	35 mm ² FEED THRU SCREW CLAMP TB GREEN	50	EA	87.60	B
ACCESSORIES	PP35UN	PARTITION PLATE FOR CTS2.5UN/4UN/2.5UE	50	EA	16.80	B
	CA771/2	2P PRE ASSEM SHRT LINK FR 12mm WIDE TB	50	EA	22.30	B
	CA771/3	3P PRE ASSEM SHRT LINK FR 12mm WIDE TB	20	EA	33.40	B
	CA771/4	4P PRE ASSEM SHRT LINK FR 12mm WIDE TB	20	EA	44.60	B
	CA771/10	10P PRE ASSEM SHRT LINK FR 12mm WIDE TB	10	EA	111.30	B
	CA509/K16WHT	16 mm WIDE MARKER BLANK	1	PKT	119.60	B
	CA509/K16WHP	16 mm WIDE MARKER PRINTED	1	PKT	134.60	B




Wire Range : 10.0 - 70.0 mm²
 Current (A) : 192 A
 Voltage (V) : 1000 V
 Dimensions Width (Thickness) x Length : 20.5 x 77 mm
 Height with Din 35 x 7.5 mm Rail : 71.1 mm








	Part #	Description	Std. Pack	UOM	List Price in	Group
TERMINAL BLOCK	CTS50/70N	70 mm ² FEED THRU SCREW CLAMP TERMINAL	20	EA	228.70	B
	CTS50/70NBU	70 mm ² FEED THRU SCREW CLAMP TB BLUE	20	EA	251.50	B
	CTS50/70NBK	70 mm ² FEED THRU SCREW CLAMP TB BLACK	20	EA	251.50	B
	CTS50/70NR	70 mm ² FEED THRU SCREW CLAMP TB RED	20	EA	251.50	B
	CTS50/70NY	70 mm ² FEED THRU SCREW CLAMP TB YELLOW	20	EA	251.50	B
	CTS50/70NGN	70 mm ² FEED THRU SCREW CLAMP TB GREEN	20	EA	251.50	B
ACCESSORIES	AUX6	6 mm ² AUX TB FOR CTS50/70N & CTS95/120N	10	EA	44.00	B
	CA628/2	2 POLE SHORTING LNK SET FOR CTS50/70N	10	EA	89.10	B
	CA628/3	3 POLE SHORTING LNK SET FOR CTS50/70N	10	EA	133.70	B
	CA509/K16WHT	16 mm WIDE MARKER BLANK	1	PKT	119.60	B
	CA509/K16WHP	16 mm WIDE MARKER PRINTED	1	PKT	134.60	B

CTS SERIES STANDARD SCREW CLAMP TERMINAL BLOCKS

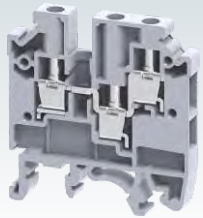


Wire Range : 25.0 - 120.0 mm²
Current (A) : 269 A
Voltage (V) : 1000 V
Dimensions Width (Thickness) x Length : 27 x 85 mm
Height with Din 35 x 7.5 mm Rail : 83 mm















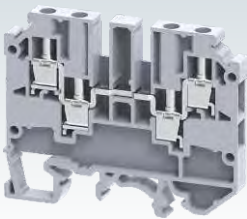
	Part #	Description	Std. Pack	UOM	List Price in	Group
TERMINAL BLOCK	CTS95/120N	120 mm ² FEED THRU SCREW CLAMP TERMINAL	10	EA	369.60	B
	CTS95/120NBU	120 mm ² FEED THRU SCREW CLAMP TB BLUE	10	EA	406.50	B
	CTS95/120NBK	120 mm ² FEED THRU SCREW CLAMP TB BLACK	10	EA	406.50	B
	CTS95/120NR	120 mm ² FEED THRU SCREW CLAMP TB RED	10	EA	406.50	B
	CTS95/120NY	120 mm ² FEED THRU SCREW CLAMP TB YELLOW	10	EA	406.50	B
	CTS95/120NGN	120 mm ² FEED THRU SCREW CLAMP TB GREEN	10	EA	406.50	B
ACCESSORIES	AUX6	6 mm ² AUX TB FOR CTS50/70N & CTS95/120N	10	EA	44.00	B
	CA629/2	2 POLE SHORTING LNK SET FOR CTS95/120N	10	EA	116.90	B
	CA629/3	3 POLE SHORTING LNK SET FOR CTS95/120N	10	EA	175.30	B
	CA509/K16WHT	16 mm WIDE MARKER BLANK	1	PKT	119.60	B
	CA509/K16WHP	16 mm WIDE MARKER PRINTED	1	PKT	134.60	B














Wire Range : 0.2 - 4.0 mm²
Current (A) : 32 A
Voltage (V) : 630 V
Dimensions Width (Thickness) x Length : 6 x 46.5 mm
Height with Din 35 x 7.5 mm Rail : 49.5 mm

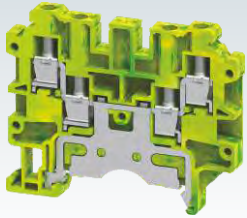
	Part #	Description	Std. Pack	UOM	List Price in	Group
TERMINAL BLOCK	CMC1-2	4 mm ² MULTI CONNECTION 3 WIRE TERMINAL	100	EA	26.10	B
	CMC1-2BU	4 mm ² MULTI CONNECTION 3 WIRE TB BLUE	100	EA	28.70	B
	CMC1-2BK	4 mm ² MULTI CONNECTION 3 WIRE TB BLACK	100	EA	28.70	B
	CMC1-2R	4 mm ² MULTI CONNECTION 3 WIRE TB RED	100	EA	28.70	B
	CMC1-2Y	4 mm ² MULTI CONNECTION 3 WIRE TB YELLOW	100	EA	28.70	B
	CMC1-2GN	4 mm ² MULTI CONNECTION 3 WIRE TB GREEN	100	EA	28.70	B
ACCESSORIES	EPCMC1-2	END PLATE FOR CMC1-2	50	EA	11.10	B
	CA722/2	2P PRE ASSEMBLED SHRT LNK FR 6mm WIDE TB	100	EA	13.50	B
	CA722/3	3P PRE ASSEMBLED SHRT LNK FR 6mm WIDE TB	100	EA	20.10	B
	CA722/4	4P PRE ASSEMBLED SHRT LNK FR 6mm WIDE TB	100	EA	26.80	B
	CA722/10	10P PRE ASSEM SHORT LINK FOR 6mm WIDE TB	10	EA	66.90	B
	CA509/K6WHT	6 mm WIDE MARKER BLANK	1	PKT	81.50	B
	CA509/K6WHP	6 mm WIDE MARKER PRINTED	1	PKT	93.10	B








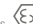



Wire Range : 0.2 - 4.0 mm²
Current (A) : 32 A
Voltage (V) : 630 V
Dimensions Width (Thickness) x Length : 6 x 65 mm
Height with Din 35 x 7.5 mm Rail : 53.4 mm

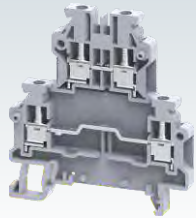
	Part #	Description	Std. Pack	UOM	List Price in	Group
TERMINAL BLOCK	CMC2-2	4 mm ² MULTI CONNECTION 4 WIRE TERMINAL	50	EA	36.60	B
	CMC2-2BU	4 mm ² MULTI CONNECTION 4 WIRE TB BLUE	50	EA	40.20	B
	CMC2-2BK	4 mm ² MULTI CONNECTION 4 WIRE TB BLACK	50	EA	40.20	B
	CMC2-2R	4 mm ² MULTI CONNECTION 4 WIRE TB RED	50	EA	40.20	B
	CMC2-2Y	4 mm ² MULTI CONNECTION 4 WIRE TB YELLOW	50	EA	40.20	B
	CMC2-2GN	4 mm ² MULTI CONNECTION 4 WIRE TB GREEN	50	EA	40.20	B
ACCESSORIES	EPCMC2-2	END PLATE FOR CMC2-2	50	EA	14.90	B
	CA722/2	2P PRE ASSEMBLED SHRT LNK FR 6mm WIDE TB	100	EA	13.50	B
	CA722/3	3P PRE ASSEMBLED SHRT LNK FR 6mm WIDE TB	100	EA	20.10	B
	CA722/4	4P PRE ASSEMBLED SHRT LNK FR 6mm WIDE TB	100	EA	26.80	B
	CA722/10	10P PRE ASSEM SHORT LINK FOR 6mm WIDE TB	10	EA	66.90	B
	CA509/K6WHT	6 mm WIDE MARKER BLANK	1	PKT	81.50	B
	CA509/K6WHP	6 mm WIDE MARKER PRINTED	1	PKT	93.10	B







Wire Range : 0.2 - 4.0 mm²
 Dimensions Width (Thickness) x Length : 6 x 65 mm
 Height with Din 35 x 7.5 mm Rail : 53.7 mm

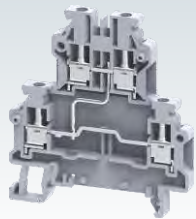
	Part #	Description	Std. Pack	UOM	List Price in	Group
TERMINAL BLOCK	CMCG4	4 mm ² MULTI CONNECTION 4 WIRE GROUND TB	50	EA	115.70	B
ACCESSORIES	EPCKT4U/4	END PLATE FOR CKT4U/4	50	EA	14.90	B
	CA509/K6WHT	6 mm WIDE MARKER BLANK	1	PKT	81.50	B
	CA509/K6WP	6 mm WIDE MARKER PRINTED	1	PKT	93.10	B







Wire Range : 0.2 - 2.5 mm²
 Current (A) : 24 A
 Voltage (V) : 800 V
 Dimensions Width (Thickness) x Length : 5 x 62 mm
 Height with Din 35 x 7.5 mm Rail : 61 mm

	Part #	Description	Std. Pack	UOM	List Price in	Group
TERMINAL BLOCK	ODL2.5A	2.5 mm ² MODULAR OFFSET 2 LVL SW CL TB	50	EA	31.10	B
	ODL2.5	2.5 mm ² OFFSET 2 LVL SW CL TB	50	EA	31.10	B
ACCESSORIES	EPODL2.5	END PLATE FOR ODL2.5 SERIES	50	EA	14.40	B
	EP1ODL2.5	SPACER PLATE FOR ODL2.5	50	EA	5.80	B
	JX2.5/2	2 POLE SHRT LNK FR 5MM WIDE SP CL TB	100	EA	9.50	A
	JX2.5/3	3 POLE SHRT LNK FR 5MM WIDE SP CL TB	50	EA	16.50	A
	JX2.5/4	4 POLE SHRT LNK FR 5MM WIDE SP CL TB	50	EA	28.20	A
	JX2.5/10	10 POLE SHRT LNK FR 5MM WIDE SP CL TB	10	EA	73.00	A
	CA509/K5WHT	5 mm WIDE MARKER BLANK	1	PKT	81.50	B
	CA509/K5WP	CA509/K5-P PRINTED MARKERS WHT	1	PKT	93.10	B

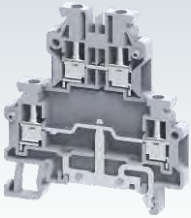


Wire Range : 0.2 - 2.5 mm²
 Current (A) : 24 A
 Voltage (V) : 800 V
 Dimensions Width (Thickness) x Length : 5 x 62 mm
 Height with Din 35 x 7.5 mm Rail : 61 mm











	Part #	Description	Std. Pack	UOM	List Price in	Group
TERMINAL BLOCK	ODL2.5A(I.S)	2.5 mm ² 2 LEVEL SCREW CLAMP TERMINAL BLOCK	50	EA	41.40	B
	ODL2.5(I.S)	2.5mm ² 2 LVL OFFSET INT SHRT SW CL TB	50	EA	43.30	B
ACCESSORIES	EPODL2.5	END PLATE FOR ODL2.5 SERIES	50	EA	14.40	B
	EP1ODL2.5	SPACER PLATE FOR ODL2.5	50	EA	5.80	B
	JX2.5/2	2 POLE SHRT LNK FR 5MM WIDE SP CL TB	100	EA	9.50	A
	JX2.5/3	3 POLE SHRT LNK FR 5MM WIDE SP CL TB	50	EA	16.50	A
	JX2.5/4	4 POLE SHRT LNK FR 5MM WIDE SP CL TB	50	EA	28.20	A
	JX2.5/10	10 POLE SHRT LNK FR 5MM WIDE SP CL TB	10	EA	73.00	A
	CA509/K5WHT	5 mm WIDE MARKER BLANK	1	PKT	81.50	B
	CA509/K5WP	CA509/K5-P PRINTED MARKERS WHT	1	PKT	93.10	B

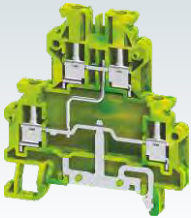
CTS SERIES STANDARD SCREW CLAMP TERMINAL BLOCKS








Wire Range : 0.2 - 2.5 mm²
 Current (A) : 24 A
 Voltage (V) : 800 V
 Dimensions Width (Thickness) x Length : 5 x 62 mm
 Height with Din 35 x 7.5 mm Rail : 61 mm

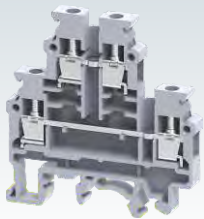
	Part #	Description	Std. Pack	UOM	List Price in	Group
TERMINAL BLOCK	ODLG2.5A	2.5mm ² MODULAR OFFSET 2 LVL GND SW CL TB	50	EA	104.30	B
	ODLG2.5	2.5mm ² 2 LVL OFFSET GND SW CL TB	50	EA	104.20	B
ACCESSORIES	EPODL2.5	END PLATE FOR ODL2.5 SERIES	50	EA	14.40	B
	EP1ODL2.5	SPACER PLATE FOR ODL2.5	50	EA	5.80	B
	JX2.5/2	2 POLE SHRT LNK FR 5MM WIDE SP CL TB	100	EA	9.50	A
	JX2.5/3	3 POLE SHRT LNK FR 5MM WIDE SP CL TB	50	EA	16.50	A
	JX2.5/4	4 POLE SHRT LNK FR 5MM WIDE SP CL TB	50	EA	28.20	A
	JX2.5/10	10 POLE SHRT LNK FR 5MM WIDE SP CL TB	10	EA	73.00	A
	CA509/K5WHT	5 mm WIDE MARKER BLANK	1	PKT	81.50	B
	CA509/K5WP	CA509/K5-P PRINTED MARKERS WHT	1	PKT	93.10	B








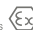



Wire Range : 0.2 - 2.5 mm²
 Dimensions Width (Thickness) x Length : 5 x 62 mm
 Height with Din 35 x 7.5 mm Rail : 61 mm

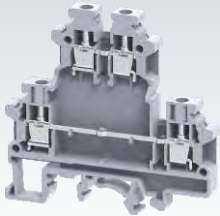
	Part #	Description	Std. Pack	UOM	List Price in	Group
TERMINAL BLOCK	ODLG2.5A(I.S)	2.5mm ² OFFSET 2L INT SHRT GND SW CL TB	50	EA	115.00	B
	ODLG2.5(I.S)	2.5mm ² MODULAR OFFSET 2L INT SHRT GND TB	50	EA	114.90	B
ACCESSORIES	EPODL2.5	END PLATE FOR ODL2.5 SERIES	50	EA	14.40	B
	EP1ODL2.5	SPACER PLATE FOR ODL2.5	50	EA	5.80	B
	JX2.5/2	2 POLE SHRT LNK FR 5MM WIDE SP CL TB	100	EA	9.50	A
	JX2.5/3	3 POLE SHRT LNK FR 5MM WIDE SP CL TB	50	EA	16.50	A
	JX2.5/4	4 POLE SHRT LNK FR 5MM WIDE SP CL TB	50	EA	28.20	A
	JX2.5/10	10 POLE SHRT LNK FR 5MM WIDE SP CL TB	10	EA	73.00	A
	CA509/K5WHT	5 mm WIDE MARKER BLANK	1	PKT	81.50	B
	CA509/K5WP	CA509/K5-P PRINTED MARKERS WHT	1	PKT	93.10	B




Wire Range : 0.2 - 4.0 mm²
 Current (A) : 32 A
 Voltage (V) : 800 V
 Dimensions Width (Thickness) x Length : 6 x 57 mm
 Height with Din 35 x 7.5 mm Rail : 59.5 mm

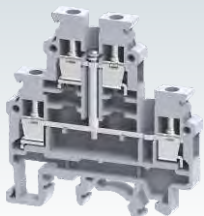
	Part #	Description	Std. Pack	UOM	List Price in	Group
TERMINAL BLOCK	CDL4UN	4 mm ² 2 LEVEL SCREW CLAMP TERMINAL BLOCK	100	EA	29.50	B
	CDL4UNBU	4 mm ² 2 LVL SCRW CLMP TERMINAL BLOCK BLU	100	EA	32.40	B
	CDL4UNBK	4 mm ² 2 LVL SCRW CLMP TERMINAL BLOCK BLK	100	EA	32.40	B
	CDL4UNR	4 mm ² 2 LVL SCRW CLMP TERMINAL BLOCK RED	100	EA	32.40	B
	CDL4UNY	4 mm ² 2 LVL SCRW CLMP TERMINAL BLOCK YLW	100	EA	32.40	B
	CDL4UNGN	4 mm ² 2 LVL SCRW CLMP TERMINAL BLOCK GRN	100	EA	32.40	B
	ACCESSORIES	EPCDL4UN	END PLATE FOR CDL4UN	50	EA	10.80
CA722/2		2P PRE ASSEMBLED SHRT LNK FR 6mm WIDE TB	100	EA	13.50	B
CA722/3		3P PRE ASSEMBLED SHRT LNK FR 6mm WIDE TB	100	EA	20.10	B
CA722/4		4P PRE ASSEMBLED SHRT LNK FR 6mm WIDE TB	100	EA	26.80	B
CA722/10		10P PRE ASSEM SHORT LINK FOR 6mm WIDE TB	10	EA	66.90	B
CA509/K6WHT		6 mm WIDE MARKER BLANK	1	PKT	81.50	B
CA509/K6WP		6 mm WIDE MARKER PRINTED	1	PKT	93.10	B




Wire Range : 0.2 - 4.0 mm²
 Current (A) : 32 A
 Voltage (V) : 800 V
 Dimensions Width (Thickness) x Length : 6 x 68 mm
 Height with Din 35 x 7.5 mm Rail : 65 mm



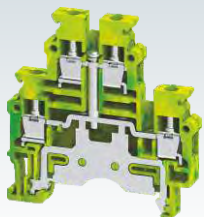
	Part #	Description	Std. Pack	UOM	List Price in	Group
TERMINAL BLOCK	ODL4U	4 mm ² FEED THRU OFFSET 2 LEVEL SW CL TB	50	EA	33.00	B
	ODL4UBU	4 mm ² FEED THRU OFFSET 2LVL SW CL TB BLU	50	EA	36.30	B
	ODL4UBK	4 mm ² FEED THRU OFFSET 2LVL SW CL TB BLK	50	EA	36.30	B
ACCESSORIES	EPODL4U	END PLATE FOR ODL4U(FS)	50	EA	16.90	B
	EP1ODL4U	END PLATE FOR ODL4U	50	EA	6.80	B
	CA727/2	2P PRE ASSEMBLED SHRT LNK FR 6mm WIDE TB	100	EA	13.50	B
	CA727/3	3P PRE ASSEMBLED SHRT LNK FR 6mm WIDE TB	100	EA	20.10	B
	CA727/4	4P PRE ASSEMBLED SHRT LNK FR 6mm WIDE TB	100	EA	26.80	B
	CA727/10	10P PRE ASSEM SHORT LINK FOR 6mm WIDE TB	10	EA	66.90	B
	CA509/K6WHT	6 mm WIDE MARKER BLANK	1	PKT	81.50	B
	CA509/K6WP	6 mm WIDE MARKER PRINTED	1	PKT	93.10	B




Wire Range : 0.2 - 4.0 mm²
 Current (A) : 32 A
 Voltage (V) : 800 V
 Dimensions Width (Thickness) x Length : 6 x 57 mm
 Height with Din 35 x 7.5 mm Rail : 59.5 mm



	Part #	Description	Std. Pack	UOM	List Price in	Group
TERMINAL BLOCK	CDL4UN	4 mm ² 2 LEVEL SCREW CLAMP TB	100	EA	29.50	B
	CDL4UN(I.S)	4 mm ² 2 LEVEL SCREW CLAMP INT SHORTED TB	100	EA	39.90	B
ACCESSORIES	EPCDL4UN	END PLATE FOR CDL4UN	50	EA	10.80	B
	CA722/2	2P PRE ASSEMBLED SHRT LNK FR 6mm WIDE TB	100	EA	13.50	B
	CA722/3	3P PRE ASSEMBLED SHRT LNK FR 6mm WIDE TB	100	EA	20.10	B
	CA722/4	4P PRE ASSEMBLED SHRT LNK FR 6mm WIDE TB	100	EA	26.80	B
	CA722/10	10P PRE ASSEM SHORT LINK FOR 6mm WIDE TB	10	EA	66.90	B
	CA509/K6WHT	6 mm WIDE MARKER BLANK	1	PKT	81.50	B
	CA509/K6WP	6 mm WIDE MARKER PRINTED	1	PKT	93.10	B

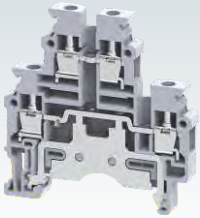


Wire Range : 0.2 - 4.0 mm²
 Dimensions Width (Thickness) x Length : 6 x 57 mm
 Height with Din 35 x 7.5 mm Rail : 59.5 mm




	Part #	Description	Std. Pack	UOM	List Price in	Group
TERMINAL BLOCK	CDLG4(I.S)	4 mm ² 2 LEVEL SCREW CLAMP GROUND TB	100	EA	121.00	B
ACCESSORIES	EPCDL4UN	END PLATE FOR CDL4UN	50	EA	10.80	B
	CA722/2	2P PRE ASSEMBLED SHRT LNK FR 6mm WIDE TB	100	EA	13.50	B
	CA722/3	3P PRE ASSEMBLED SHRT LNK FR 6mm WIDE TB	100	EA	20.10	B
	CA722/4	4P PRE ASSEMBLED SHRT LNK FR 6mm WIDE TB	100	EA	26.80	B
	CA722/10	10P PRE ASSEM SHORT LINK FOR 6mm WIDE TB	10	EA	66.90	B
	CA509/K6WHT	6 mm WIDE MARKER BLANK	1	PKT	81.50	B
	CA509/K6WP	6 mm WIDE MARKER PRINTED	1	PKT	93.10	B


CTS SERIES STANDARD SCREW CLAMP TERMINAL BLOCKS




Wire Range : 0.2 - 4.0 mm²
Current (A) : 32 A
Voltage (V) : 500 V
Dimensions Width (Thickness) x Length : 6 x 57 mm
Height with Din 35 x 7.5 mm Rail : 59.5 mm



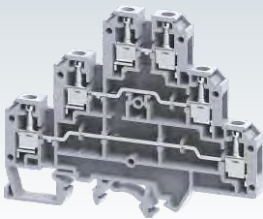
	Part #	Description	Std. Pack	UOM	List Price in	Group
TERMINAL BLOCK	CDLG4	4 mm ² FEED THRU + GROUND SCREW CLAMP TB	100	EA	108.40	B
	EPCDL4UN	END PLATE FOR CDL4UN	50	EA	10.80	B
	CA722/2	2P PRE ASSEMBLED SHRT LNK FR 6mm WIDE TB	100	EA	13.50	B
	CA722/3	3P PRE ASSEMBLED SHRT LNK FR 6mm WIDE TB	100	EA	20.10	B
ACCESSORIES	CA722/4	4P PRE ASSEMBLED SHRT LNK FR 6mm WIDE TB	100	EA	26.80	B
	CA722/10	10P PRE ASSEM SHORT LINK FOR 6mm WIDE TB	10	EA	66.90	B
	CA509/K6WHT	6 mm WIDE MARKER BLANK	1	PKT	81.50	B
	CA509/K6WP	6 mm WIDE MARKER PRINTED	1	PKT	93.10	B




Wire Range : 0.2 - 2.5 mm²
Current (A) : 24 A
Voltage (V) : 500 V
Dimensions Width (Thickness) x Length : 6 x 71.7 mm
Height with Din 35 x 7.5 mm Rail : 52.5 mm



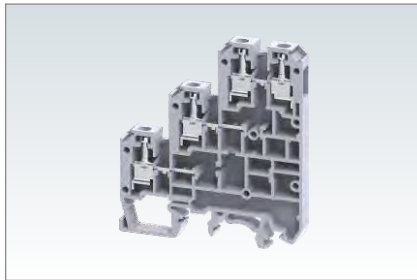
	Part #	Description	Std. Pack	UOM	List Price in	Group
TERMINAL BLOCK	CDLG2.5	2.5 mm ² 2 LEVEL + GROUND SCREW CLAMP TB	20	EA	191.10	B
	EPCDLG2.5	END PLATE FOR CDLG2.5	50	EA	16.90	B
	CA627/2	2P PRE ASSEM SHRT LINK FOR 6mm WIDE TB	100	EA	13.50	B
	CA627/3	3P PRE ASSEM SHRT LINK FOR 6mm WIDE TB	100	EA	20.10	B
ACCESSORIES	CA627/4	4P PRE ASSEM SHRT LINK FOR 6mm WIDE TB	100	EA	26.80	B
	CA627/10	10P PRE ASSEM SHRT LINK FOR 6mm WIDE TB	10	EA	66.90	B
	CA509/K2GWHT	5 mm WIDE MARKER BLANK	1	PKT	81.50	B
	CA509/K2GWP	5 mm WIDE MARKER PRINTED	1	PKT	93.10	B



Wire Range : 0.2 - 2.5 mm²
Current (A) : 24 A
Voltage (V) : 500 V
Dimensions Width (Thickness) x Length : 6 x 84 mm
Height with Din 35 x 7.5 mm Rail : 68 mm



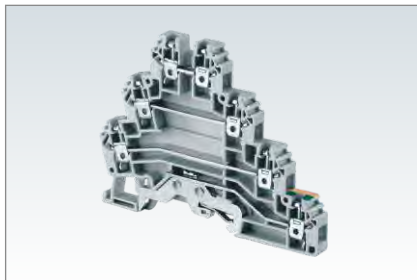
	Part #	Description	Std. Pack	UOM	List Price in	Group
TERMINAL BLOCK	CTL2.5U	2.5 mm ² 3 LEVEL SCRW CLMP TERMINAL BLOCK	50	EA	75.90	B
	CTL2.5UBU	2.5 mm ² 3 LEVEL SCREW CLAMP TB BLUE	50	EA	83.40	B
	CTL2.5UBK	2.5 mm ² 3 LEVEL SCREW CLAMP TB BLACK	50	EA	83.40	B
	CTL2.5UR	2.5 mm ² 3 LEVEL SCREW CLAMP TB RED	50	EA	83.40	B
	CTL2.5UY	2.5 mm ² 3 LEVEL SCREW CLAMP TB YELLOW	50	EA	83.40	B
	CTL2.5UGN	2.5 mm ² 3 LEVEL SCREW CLAMP TB GREEN	50	EA	83.40	B
ACCESSORIES	EPCTL2.5U	END PLATE FOR CTL2.5U	50	EA	14.90	B
	CA722/2	2P PRE ASSEMBLED SHRT LNK FR 6mm WIDE TB	100	EA	13.50	B
	CA722/3	3P PRE ASSEMBLED SHRT LNK FR 6mm WIDE TB	100	EA	20.10	B
	CA722/4	4P PRE ASSEMBLED SHRT LNK FR 6mm WIDE TB	100	EA	26.80	B
	CA722/10	10P PRE ASSEM SHORT LINK FOR 6mm WIDE TB	10	EA	66.90	B
	CA509/K6WHT	6 mm WIDE MARKER BLANK	1	PKT	81.50	B
	CA509/K6WP	6 mm WIDE MARKER PRINTED	1	PKT	93.10	B



Wire Range : 0.2 - 2.5 mm²
 Current (A) : 24 A
 Voltage (V) : 500 V
 Dimensions Width (Thickness) x Length : 6 x 61 mm
 Height with Din 35 x 7.5 mm Rail : 68 mm



	Part #	Description	Std. Pack	UOM	List Price in	Group
TERMINAL BLOCK	CTL2.5UH	2.5 mm ² 3 LEVEL 4 WIRE SCREW CLAMP TB	50	EA	45.60	B
ACCESSORIES	EPCTL2.5UH	END PLATE FOR CTL2.5UH	50	EA	11.10	B
	CA722/2	2P PRE ASSEMBLED SHRT LNK FR 6mm WIDE TB	100	EA	13.50	B
	CA722/3	3P PRE ASSEMBLED SHRT LNK FR 6mm WIDE TB	100	EA	20.10	B
	CA722/4	4P PRE ASSEMBLED SHRT LNK FR 6mm WIDE TB	100	EA	26.80	B
	CA722/10	10P PRE ASSEM SHORT LINK FOR 6mm WIDE TB	10	EA	66.90	B
	CA509/K2WHT	6 mm WIDE MARKER BLANK	1	PKT	81.50	B
	CA509/K2WHP	6 mm WIDE MARKER PRINTED	1	PKT	93.10	B

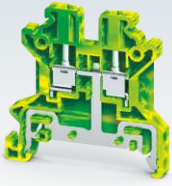


Wire Range : 0.2 - 2.5 mm²
 Current (A) : 24 A
 Voltage (V) : 440 V
 Dimensions Width (Thickness) x Length : 6 x 87.5 mm
 Height with Din 35 x 7.5 mm Rail : 66 mm



	Part #	Description	Std. Pack	UOM	List Price in	Group
TERMINAL BLOCK	CTLG2.5	2.5 mm ² 2 LEVEL + GROUND SCREW CLAMP TB	20	EA	305.50	B
ACCESSORIES	EPCTLG2.5	END PLATE FOR CTLG2.5	50	EA	22.20	B
	CA627/2	2P PRE ASSEM SHRT LINK FOR 6mm WIDE TB	100	EA	13.50	B
	CA627/3	3P PRE ASSEM SHRT LINK FOR 6mm WIDE TB	100	EA	20.10	B
	CA627/4	4P PRE ASSEM SHRT LINK FOR 6mm WIDE TB	100	EA	26.80	B
	CA627/10	10P PRE ASSEM SHRT LINK FOR 6mm WIDE TB	10	EA	66.90	B
	CA509/K2GWHT	5 mm WIDE MARKER BLANK	1	PKT	81.50	B
	CA509/K2GWHP	5 mm WIDE MARKER PRINTED	1	PKT	93.10	B


CTS SERIES STANDARD SCREW CLAMP TERMINAL BLOCKS



Wire Range : 0.2 - 2.5 mm²
 Dimensions Width (Thickness) x Length : 5 x 43 mm
 Height with Din 35 x 7.5 mm Rail : 46.2 mm

CE


	Part #	Description	Std. Pack	UOM	List Price in	Group
TERMINAL BLOCK	CTSG2.5	2.5 mm ² SCREW CLAMP GROUND TERMINAL BLOCK	50	EA	64.00	B
ACCESSORIES	EP2.5/4UN	END PLATE FOR CTS2.5UN/4UN	50	EA	5.80	B
	PP2.5/4UN	PARTITION PLATE FOR CTS2.5UN/4UN/2.5UE	50	EA	11.40	B
	CA721/2	2P PRE ASSEMBLED SHRT LNK FR 5mm WIDE TB	100	EA	13.50	B
	CA721/3	3P PRE ASSEMBLED SHRT LNK FR 5mm WIDE TB	100	EA	20.10	B
	CA721/4	4P PRE ASSEMBLED SHRT LNK FR 5mm WIDE TB	100	EA	26.80	B
	CA721/10	10P PRE ASSEM SHORT LINK FOR 5mm WIDE TB	10	EA	66.90	B
	CA509/K5WHT	5 mm WIDE MARKER BLANK	1	PKT	81.50	B
	CA509/K5WP	5 mm WIDE MARKER PRINTED	1	PKT	93.10	B



Wire Range : 0.2 - 4.0 mm²
 Dimensions Width (Thickness) x Length : 6 x 43 mm
 Height with Din 35 x 7.5 mm Rail : 46.2 mm

CE

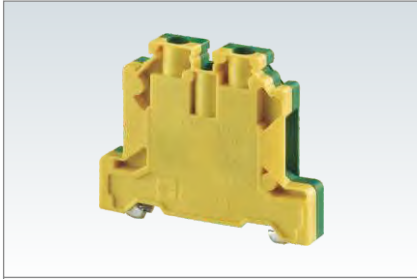
	Part #	Description	Std. Pack	UOM	List Price in	Group
TERMINAL BLOCK	CTSG4	4 mm ² SCREW CLAMP GROUND TERMINAL BLOCK	50	EA	65.00	B
ACCESSORIES	EP2.5/4UN	END PLATE FOR CTS2.5UN/4UN	50	EA	5.80	B
	PP2.5/4UN	PARTITION PLATE FOR CTS2.5UN/4UN/2.5UE	50	EA	11.40	B
	CA722/2	2P PRE ASSEMBLED SHRT LNK FR 6mm WIDE TB	100	EA	13.50	B
	CA722/3	3P PRE ASSEMBLED SHRT LNK FR 6mm WIDE TB	100	EA	20.10	B
	CA722/4	4P PRE ASSEMBLED SHRT LNK FR 6mm WIDE TB	100	EA	26.80	B
	CA722/10	10P PRE ASSEM SHORT LINK FOR 6mm WIDE TB	10	EA	66.90	B
	CA509/K6WHT	6 mm WIDE MARKER BLANK	1	PKT	81.50	B
	CA509/K6WP	6 mm WIDE MARKER PRINTED	1	PKT	93.10	B



Wire Range : 0.2 - 4.0 mm²
 Dimensions Width (Thickness) x Length : 6 x 54.5 mm
 Height with Din 35 x 7.5 mm Rail : 47 mm

IECEE CE UL US C-SP VDE Ex IECEx AEx Lloyd's Register

	Part #	Description	Std. Pack	UOM	List Price in	Group
TERMINAL BLOCK	CGT4N	4 mm ² SCREW CLAMP GROUND TERMINAL BLOCK	50	EA	69.00	B
ACCESSORIES	CA509/K6WHT	6 mm WIDE MARKER BLANK	1	PKT	81.50	B
	CA509/K6WP	6 mm WIDE MARKER PRINTED	1	PKT	93.10	B



Wire Range : 0.2 - 6.0 mm²
 Dimensions Width (Thickness) x Length : 8 x 54.5 mm
 Height with Din 35 x 7.5 mm Rail : 48.2 mm



	Part #	Description	Std. Pack	UOM	List Price in	Group
TERMINAL BLOCK	CGT6N	6 mm ² SCREW CLAMP GROUND TERMINAL BLOCK	50	EA	82.90	B
ACCESSORIES	CA509/K8WHT	8 mm WIDE MARKER BLANK	1	PKT	93.10	B
	CA509/K8WP	8 mm WIDE MARKER PRINTED	1	PKT	106.30	B



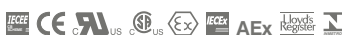
Wire Range : 0.2 - 10.0 mm²
 Dimensions Width (Thickness) x Length : 10 x 55 mm
 Height with Din 35 x 7.5 mm Rail : 48.5 mm



	Part #	Description	Std. Pack	UOM	List Price in	Group
TERMINAL BLOCK	CGT10N	10 mm ² SCREW CLAMP GROUND TERMINAL BLOCK	50	EA	96.80	B
ACCESSORIES	CA509/K10WHT	10 mm WIDE MARKER BLANK	1	PKT	101.50	B
	CA509/K10WP	10 mm WIDE MARKER PRINTED	1	PKT	114.80	B



Wire Range : 0.2 - 16.0 mm²
 Dimensions Width (Thickness) x Length : 12 x 55 mm
 Height with Din 35 x 7.5 mm Rail : 48.5 mm



	Part #	Description	Std. Pack	UOM	List Price in	Group
TERMINAL BLOCK	CGT16N	16 mm ² SCREW CLAMP GROUND TERMINAL BLOCK	50	EA	115.00	B
ACCESSORIES	CA509/K12WHT	10 mm WIDE MARKER BLANK	1	PKT	119.60	B
	CA509/K12WP	10 mm WIDE MARKER PRINTED	1	PKT	132.90	B

CTS SERIES STANDARD SCREW CLAMP TERMINAL BLOCKS



Wire Range : 2.5 - 35.0 mm²
 Dimensions Width (Thickness) x Length : 16 x 58 mm
 Height with Din 35 x 7.5 mm Rail : 63.2 mm



	Part #	Description	Std. Pack	UOM	List Price in	Group
TERMINAL BLOCK	CGT35U	35 mm ² SW CL GROUND TB FR DIN 32/35 RAIL	20	EA	248.10	B
ACCESSORIES	CA509/K16WHT	16 mm WIDE MARKER BLANK	1	PKT	119.60	B
	CA509/K16WP	16 mm WIDE MARKER PRINTED	1	PKT	134.60	B



Wire Range : 10.0 - 70.0 mm²
 Dimensions Width (Thickness) x Length : 20 x 77 mm
 Height with Din 35 x 7.5 mm Rail : 71.1 mm



	Part #	Description	Std. Pack	UOM	List Price in	Group
TERMINAL BLOCK	CGT50/70N	70 mm ² SCREW CLAMP GROUND TERMINAL BLK	20	EA	599.00	B
ACCESSORIES	CA509/K16WHT	16 mm WIDE MARKER BLANK	1	PKT	119.60	B
	CA509/K16WP	16 mm WIDE MARKER PRINTED	1	PKT	134.60	B



Wire Range : 0.2 - 4.0 mm²
 Dimensions Width (Thickness) x Length : 6 x 27 mm
 Height with Din 15 mm Rail : 30.7 mm



	Part #	Description	Std. Pack	UOM	List Price in	Group
TERMINAL BLOCK	CGMT4	4 mm ² SCREW CLMP GROUND TB FR DIN15 RAIL	100	EA	48.40	B
ACCESSORIES	CA509/K2WHT	6 mm WIDE MARKER BLANK	1	PKT	81.50	B
	CA509/K2WP	6 mm WIDE MARKER PRINTED	1	PKT	93.10	B



Wire Range : 10.0 mm²
 Dimensions Width (Thickness) x Length : 7.5 x 23.3 mm








	Part #	Description	Std. Pack	UOM	List Price in	Group
TERMINAL BLOCK	CENC4	4mm ² NEUTRAL/EARTH CLAMP GREEN	50	EA	13.30	B
	CENC4BU	4mm ² NEUTRAL/EARTH CLAMP BLUE	50	EA	14.60	B
	CENC4BK	4mm ² NEUTRAL/EARTH CLAMP BLACK	50	EA	14.60	B
	CENC4R	4mm ² NEUTRAL/EARTH CLAMP RED	50	EA	14.60	B
	CENC4Y	4mm ² NEUTRAL/EARTH CLAMP YELLOW	50	EA	14.60	B
	CENC4G	4mm ² NEUTRAL/EARTH CLAMP GREY	50	EA	14.60	B
ACCESSORIES	NEB6	COPPER BUS BAR 6X6mm 1METER LONG	10	EA	1016.40	A
	NEB10	COPPER BUS BAR 10X3mm 1METER LONG	10	EA	1016.40	A
	NES	PLASTIC SUPPORT FOR NEB	50	EA	12.10	B
	CA509/K5WHT	5 mm WIDE MARKER BLANK	1	PKT	81.50	B
	CA509/K5WP	5 mm WIDE MARKER PRINTED	1	PKT	93.10	B



Wire Range : 10.0 - 16.0 mm²
 Dimensions Width (Thickness) x Length : 9.8 x 23.3 mm








	Part #	Description	Std. Pack	UOM	List Price in	Group
TERMINAL BLOCK	CENC16	16mm ² NEUTRAL/EARTH CLAMP GREEN	50	EA	17.60	B
	CENC16BU	16mm ² NEUTRAL/EARTH CLAMP BLUE	50	EA	19.30	B
	CENC16BK	16mm ² NEUTRAL/EARTH CLAMP BLACK	50	EA	19.30	B
	CENC16R	16mm ² NEUTRAL/EARTH CLAMP RED	50	EA	19.30	B
	CENC16Y	16mm ² NEUTRAL/EARTH CLAMP YELLOW	50	EA	19.30	B
	CENC16G	16mm ² NEUTRAL/EARTH CLAMP GREY	50	EA	19.30	B
ACCESSORIES	NEB6	COPPER BUS BAR 6X6mm 1METER LONG	10	EA	1016.40	A
	NEB10	COPPER BUS BAR 10X3mm 1METER LONG	10	EA	1016.40	A
	NES	PLASTIC SUPPORT FOR NEB	50	EA	12.10	B
	CA509/K5WHT	5 mm WIDE MARKER BLANK	1	PKT	81.50	B
	CA509/K5WP	5 mm WIDE MARKER PRINTED	1	PKT	93.10	B



Wire Range : 10.0 - 35.0 mm²
 Dimensions Width (Thickness) x Length : 14.5 x 27.3 mm

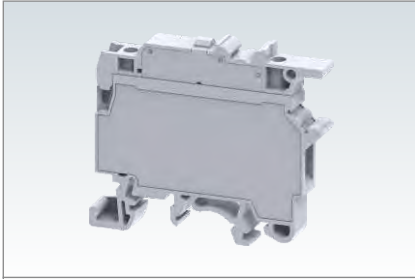







	Part #	Description	Std. Pack	UOM	List Price in	Group
TERMINAL BLOCK	CENC35	35mm ² NEUTRAL/EARTH CLAMP GREEN	50	EA	31.40	B
	CENC35BU	35mm ² NEUTRAL/EARTH CLAMP BLUE	50	EA	34.50	B
	CENC35BK	35mm ² NEUTRAL/EARTH CLAMP BLACK	50	EA	34.50	B
	CENC35Y	35mm ² NEUTRAL/EARTH CLAMP YELLOW	50	EA	34.50	B
	CENC35G	35mm ² NEUTRAL/EARTH CLAMP GREY	50	EA	34.50	B
ACCESSORIES	NEB6	COPPER BUS BAR 6X6mm 1METER LONG	10	EA	1016.40	A
	NEB10	COPPER BUS BAR 10X3mm 1METER LONG	10	EA	1016.40	A
	NES	PLASTIC SUPPORT FOR NEB	50	EA	12.10	B
	CA509/K5WHT	5 mm WIDE MARKER BLANK	1	PKT	81.50	B
	CA509/K5WP	5 mm WIDE MARKER PRINTED	1	PKT	93.10	B

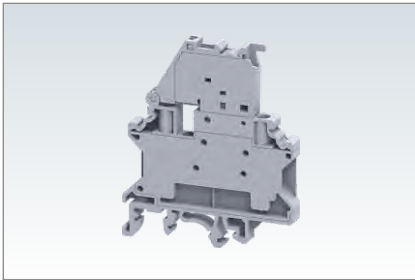
CTS SERIES STANDARD SCREW CLAMP TERMINAL BLOCKS



Wire Range : 0.2 - 4.0 mm²
 Current (A) : 6.3 A
 Voltage (V) : 800 V
 Dimensions Width (Thickness) x Length : 8 x 57 mm
 Height with Din 35 x 7.5 mm Rail : 50.3 mm



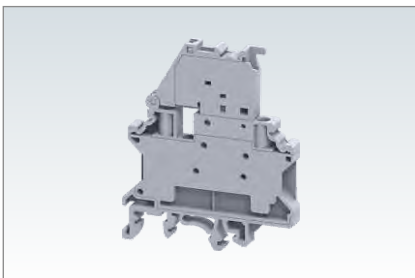
	Part #	Description	Std. Pack	UOM	List Price in	Group
TERMINAL BLOCK	CF4U	4mm ² Ø5X20mm FUSE SCREW CLAMP TERMINAL	100	EA	41.10	B
	CF4UBU	4mm ² Ø5X20mm SCREW CLAMP FUSE TB BLUE	100	EA	45.20	B
	CF4UBK	4mm ² Ø5X20mm SCREW CLAMP FUSE TB BLACK	100	EA	45.20	B
ACCESSORIES	CA509/K8WHT	8 mm WIDE MARKER BLANK - ON TERMINAL	1	PKT	93.10	B
	CA509/K8WP	8 mm WIDE MARKER PRINTED - ON TERMINAL	1	PKT	106.30	B
	CA509/K6WHT	6 mm WIDE MARKER BLANK	1	PKT	81.50	B
	CA509/K6WP	6 mm WIDE MARKER PRINTED	1	PKT	93.10	B



Wire Range : 0.2 - 4.0 mm²
 Current (A) : 10 A
 Voltage (V) : 1000 V
 Dimensions Width (Thickness) x Length : 6 x 58.5 mm
 Height with Din 35 x 7.5 mm Rail : 70 mm



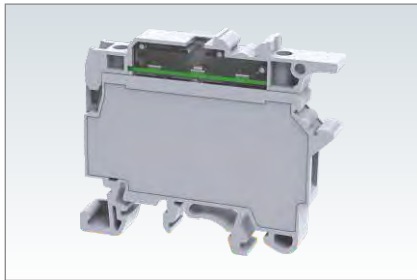
	Part #	Description	Std. Pack	UOM	List Price in	Group
TERMINAL BLOCK	CF4SP	4mm ² Ø5X20mm FUSE 6mm WIDE TERMINAL BLOCK	50	EA	66.20	B
	CF4SPFT	4mm ² CF4SP PRO FEED THRU SCREW CLAMP TB	50	EA	50.80	B
ACCESSORIES	CA722/2	2P PRE ASSEMBLED SHRT LNK FR 6mm WIDE TB	100	EA	13.50	B
	CA722/3	3P PRE ASSEMBLED SHRT LNK FR 6mm WIDE TB	100	EA	20.10	B
	CA722/4	4P PRE ASSEMBLED SHRT LNK FR 6mm WIDE TB	100	EA	26.80	B
	CA722/10	10P PRE ASSEM SHORT LINK FOR 6mm WIDE TB	10	EA	66.90	B
	CA509/K6WHT	6 mm WIDE MARKER BLANK	1	PKT	81.50	B
	CA509/K6WP	6 mm WIDE MARKER PRINTED	1	PKT	93.10	B



Wire Range : 0.2 - 4.0 mm²
 Current (A) : 10 A
 Voltage (V) : 1000 V
 Dimensions Width (Thickness) x Length : 6 x 58.5 mm
 Height with Din 35 x 7.5 mm Rail : 70 mm



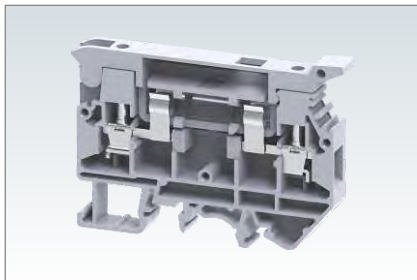
	Part #	Description	Std. Pack	UOM	List Price in	Group
TERMINAL BLOCK	CF4SPL6-60V	4mm ² Ø5X20mm FUSE 6mm WIDE TB 6-60V	50	EA	86.00	B
	CF4SPL110-240V	4mm ² Ø5X20mm FUSE 6mm WIDE TB 110-240V	50	EA	86.00	B
ACCESSORIES	CA722/2	2P PRE ASSEMBLED SHRT LNK FR 6mm WIDE TB	100	EA	13.50	B
	CA722/3	3P PRE ASSEMBLED SHRT LNK FR 6mm WIDE TB	100	EA	20.10	B
	CA722/4	4P PRE ASSEMBLED SHRT LNK FR 6mm WIDE TB	100	EA	26.80	B
	CA722/10	10P PRE ASSEM SHORT LINK FOR 6mm WIDE TB	10	EA	66.90	B
	CA509/K6WHT	6 mm WIDE MARKER BLANK	1	PKT	81.50	B
	CA509/K6WP	6 mm WIDE MARKER PRINTED	1	PKT	93.10	B



Wire Range : 0.2 - 4.0 mm²
 Current (A) : 6.3 A
 Voltage (V) : 800 V
 Dimensions Width (Thickness) x Length : 8 x 57 mm
 Height with Din 35 x 7.5 mm Rail : 50.3 mm



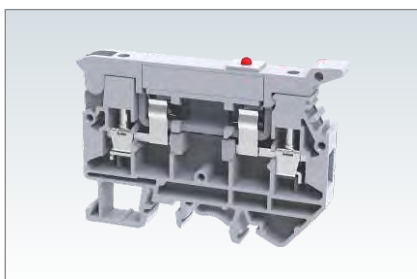
	Part #	Description	Std. Pack	UOM	List Price in	Group
TERMINAL BLOCK	CF4UL6-60V	4mm ² Ø5X20mm SCREW CLAMP FUSE TB 6-60V	100	EA	61.60	B
	CF4UL6-60VBK	4mm ² Ø5X20mm SCREW CL FUSE TB 6-60V BLK	100	EA	67.70	B
	CF4UL6-60VBU	4mm ² Ø5X20mm SCREW CL FUSE TB 6-60V BLU	100	EA	67.70	B
	CF4UL110-240V	4mm ² Ø5X20mm SW CL FUSE TB 110-240V	100	EA	67.70	B
	CF4UL110-240VBK	4mm ² Ø5X20mm SW CL FUSE TB 110-240V BLK	100	EA	67.70	B
	CF4UL110-240VBU	4mm ² Ø5X20mm SW CL FUSE TB 110-240V BLU	100	EA	67.70	B
	CF4UL440V5.0	4mm ² Ø5X20mm 5mA SW CL FUS TB 440V	100	EA	67.70	B
ACCESSORIES	CA509/K8WHT	8 mm WIDE MARKER BLANK - ON TERMINAL	1	PKT	93.10	B
	CA509/K8WP	8 mm WIDE MARKER PRINTED - ON TERMINAL	1	PKT	106.30	B
	CA509/K6WHT	6 mm WIDE MARKER BLANK	1	PKT	81.50	B
	CA509/K6WP	6 mm WIDE MARKER PRINTED	1	PKT	93.10	B



Wire Range : 0.2 - 4.0 mm²
 Current (A) : 6.3 A
 Voltage (V) : 1000 V
 Dimensions Width (Thickness) x Length : 9 x 76 mm
 Height with Din 35 x 7.5 mm Rail : 55.3 mm



	Part #	Description	Std. Pack	UOM	List Price in	Group
TERMINAL BLOCK	CAFL4U	4mm ² Ø6X32mm 6.3A FUSE SCRW CL TERMINAL	25	EA	82.10	B
	CAFL4UW/F	4mm ² Ø6X32mm FUSE SCREW CLAMP TERMINAL	25	EA	73.80	B
ACCESSORIES	EPCAFL4U	END PLATE FOR CAFL4U	50	EA	11.80	B
	CA509/K9WHT	9 mm WIDE MARKER BLANK - ON TERMINAL	1	PKT	93.10	B
	CA509/K9WP	9 mm WIDE MARKER PRINTED - ON TERMINAL	1	PKT	106.30	B

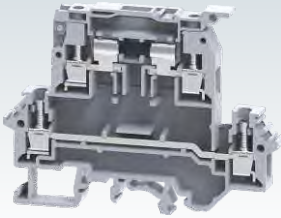


Wire Range : 0.2 - 4.0 mm²
 Current (A) : 6.3 A
 Voltage (V) : 1000 V
 Dimensions Width (Thickness) x Length : 9 x 76 mm
 Height with Din 35 x 7.5 mm Rail : 55.3 mm




	Part #	Description	Std. Pack	UOM	List Price in	Group
TERMINAL BLOCK	CAFL4UL110V	4mm ² Ø6X32mm 6.3A FUSE SCRW CLMP TB 110V	25	EA	106.70	B
	CAFL4UL110VW/F	4mm ² Ø6X32mm FUSE SCREW CLAMP TB 110V	25	EA	106.70	B
	CAFL4UL220V	4mm ² Ø6X32mm 6.3A FUSE SCRW CLMP TB 220V	25	EA	106.70	B
	CAFL4UL220VW/F	4mm ² Ø6X32mm FUSE SCREW CLAMP TB 220V	25	EA	106.70	B
	CAFL4UL24V	4mm ² Ø6X32mm 6.3A FUSE SCRW CLMP TB 24V	25	EA	106.70	B
	CAFL4UL24VW/F	4mm ² Ø6X32mm FUSE SCREW CLAMP TB 24V	25	EA	106.70	B
	CAFL4UL440V	4mm ² Ø6X32mm 6.3A FUSE SCRW CLMP TB 440V	25	EA	106.70	B
	CAFL4UL48V	4mm ² Ø6X32mm 6.3A FUSE SCRW CLMP TB 48V	25	EA	106.70	B
ACCESSORIES	EPCAFL4U	END PLATE FOR CAFL4U	50	EA	11.80	B
	CA509/K9WHT	9 mm WIDE MARKER BLANK - ON TERMINAL	1	PKT	93.10	B
	CA509/K9WP	9 mm WIDE MARKER PRINTED - ON TERMINAL	1	PKT	106.30	B

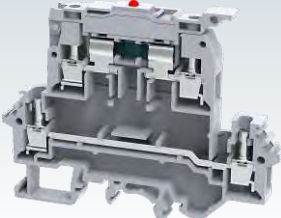
CTS SERIES STANDARD SCREW CLAMP TERMINAL BLOCKS




Wire Range : 0.2 - 4.0 mm²
Current (A) : 6.3 A / 32 A
Voltage (V) : 800 V
Dimensions Width (Thickness) x Length : 8 x 88 mm
Height with Din 35 x 7.5 mm Rail : 67.4 mm



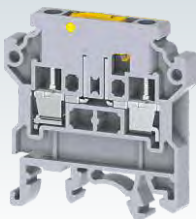
	Part #	Description	Std. Pack	UOM	List Price in	Group
TERMINAL BLOCK	DDFL4U	4 mm ² 2 LEVEL Ø5X20mm 6.3A SW CL FUSE TB	20	EA	96.30	B
	DDFL4UBU	4 mm ² 2 LVL Ø5X20mm 6.3A SW CL FUSE BLU	20	EA	105.90	B
	DDFL4UBK	4 mm ² 2 LVL Ø5X20mm 6.3A SW CL FUSE BLK	20	EA	105.90	B
	DDFL4UW/F	4 mm ² 2 LEVEL Ø5X20mm SCREW CL FUSE TB	20	EA		B
ACCESSORIES	EPDDL4U	END PLATE FOR DDFL4U	50	EA	15.00	B
	CA509/K8WHT	8 mm WIDE MARKER BLANK - ON TERMINAL	1	PKT	93.10	B
	CA509/K8WP	8 mm WIDE MARKER PRINTED - ON TERMINAL	1	PKT	106.30	B
	CA509/K2WHT	6 mm WIDE MARKER BLANK - CONTINUOUS TAG	1	PKT	81.50	B
	CA509/K2WP	6 mm WIDE MARKER PRINTED - CONTINUOUS TAG	1	PKT	93.10	B




Wire Range : 0.2 - 4.0 mm²
Current (A) : 6.3 A / 32 A
Voltage (V) : 800 V
Dimensions Width (Thickness) x Length : 8 x 88 mm
Height with Din 35 x 7.5 mm Rail : 67.4 mm



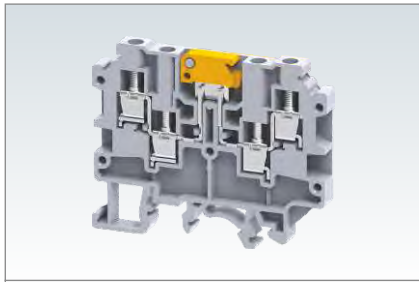
	Part #	Description	Std. Pack	UOM	List Price in	Group
TERMINAL BLOCK	DDFL4UE110-240V	4 mm ² 2 LVL Ø5X20mm 6.3A FUSE 110-240V	20	EA	116.40	B
	DDFL4UE110V	4 mm ² 2 LVL Ø5X20mm 6.3A SW CL FUSE 110V	20	EA	113.80	B
	DDFL4UE110VW/F	4 mm ² 2 LVL Ø5X20mm SCREW CL FUSE 110V	20	EA	108.20	B
	DDFL4UE12V	4 mm ² 2 LVL Ø5X20mm 6.3A SW CL FUSE 12V	20	EA	113.80	B
	DDFL4UE220V	4 mm ² 2 LVL Ø5X20mm 6.3A SW CL FUSE 220V	20	EA	113.80	B
	DDFL4UE220VW/F	4 mm ² 2 LVL Ø5X20mm SCREW CL FUSE 220V	20	EA	108.20	B
	DDFL4UE24V	4 mm ² 2 LVL Ø5X20mm 6.3A SW CL FUSE 24V	20	EA	113.80	B
	DDFL4UE24VW/F	4 mm ² 2 LVL Ø5X20mm SCREW CL FUSE 24V	20	EA	108.20	B
	DDFL4UE440V	4 mm ² 2 LVL Ø5X20mm 6.3A SW CL FUSE 440V	20	EA	129.60	B
	DDFL4UE440VW/F	4 mm ² 2 LVL Ø5X20mm SCREW CL FUSE 440V	100	EA	118.20	B
	DDFL4UE48V	4 mm ² 2 LVL Ø5X20mm 6.3A SW CL FUSE 48V	20	EA	113.80	B
	DDFL4UE48VW/F	4 mm ² 2 LVL Ø5X20mm SCREW CL FUSE 48V	20	EA	108.20	B
DDFL4UE6-60V	4 mm ² 2 LVL Ø5X20mm 6.3A SW CL FUS 6-60V	20	EA	116.40	B	
ACCESSORIES	EPDDL4U	END PLATE FOR DDFL4U	50	EA	15.00	B
	CA509/K8WHT	8 mm WIDE MARKER BLANK - ON TERMINAL	1	PKT	93.10	B
	CA509/K8WP	8 mm WIDE MARKER PRINTED - ON TERMINAL	1	PKT	106.30	B
	CA509/K2WHT	6 mm WIDE MARKER BLANK - CONTINUOUS TAG	1	PKT	81.50	B
	CA509/K2WP	6 mm WIDE MARKER PRINTED - CONTINUOUS TAG	1	PKT	93.10	B



Wire Range : 0.2 - 4.0 mm²
Current (A) : 28 A
Voltage (V) : 800 V
Dimensions Width (Thickness) x Length : 6 x 46.3 mm
Height with Din 35 x 7.5 mm Rail : 48.3 mm



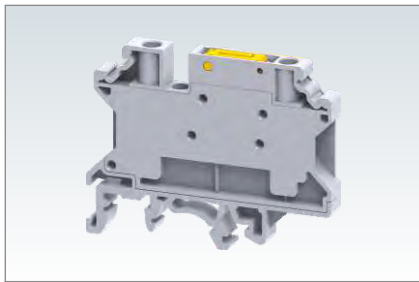
	Part #	Description	Std. Pack	UOM	List Price in	Group
TERMINAL BLOCK	CKT4U	4 mm ² KNIFE DISCONNECT SCREW CLAMP TB	50	EA	39.90	B
	CKT4UBU	4 mm ² KNIFE DISCONNECT SCREW CL TB BLU	50	EA	43.80	B
	CKT4U/S	4 mm ² KNIFE DISCONNECT SCREW CLAMP TB	50	EA	39.20	B
	CKT4UH	4 mm ² KNIFE DISCONNECT SCREW CLAMP TB	50	EA	45.30	B
ACCESSORIES	EPCKT4U	END PLATE FOR CKT4U	50	EA	9.80	B
	CA509/K6WHT	6 mm WIDE MARKER BLANK	1	PKT	81.50	B
	CA509/K6WP	6 mm WIDE MARKER PRINTED	1	PKT	93.10	B



Wire Range : 0.2 - 4.0 mm²
 Current (A) : 17.5 A
 Voltage (V) : 800 V
 Dimensions Width (Thickness) x Length : 6 x 65 mm
 Height with Din 35 x 7.5 mm Rail : 54.3 mm



	Part #	Description	Std. Pack	UOM	List Price in	Group
TERMINAL BLOCK	CKT4U/4	4 mm ² 4 WIRE KNIFE DISCON SCREW CL TB	50	EA	70.50	B
ACCESSORIES	EPCKT4U/4	END PLATE FOR CKT4U/4	50	EA	14.90	B
	CA509/K6WHT	6 mm WIDE MARKER BLANK	1	PKT	81.50	B
	CA509/K6WP	6 mm WIDE MARKER PRINTED	1	PKT	93.10	B



Wire Range : 0.2 - 4.0 mm²
 Current (A) : 28 A
 Voltage (V) : 1000 V
 Dimensions Width (Thickness) x Length : 6 x 58.5 mm
 Height with Din 35 x 7.5 mm Rail : 46 mm



	Part #	Description	Std. Pack	UOM	List Price in	Group
TERMINAL BLOCK	CKT4SP	4 mm ² KNIFE DISCONNECT SCREW CLAMP TB	50	EA	63.60	B
ACCESSORIES	CA722/2	2P PRE ASSEMBLED SHRT LNK FR 6mm WIDE TB	100	EA	13.50	B
	CA722/3	3P PRE ASSEMBLED SHRT LNK FR 6mm WIDE TB	100	EA	20.10	B
	CA722/4	4P PRE ASSEMBLED SHRT LNK FR 6mm WIDE TB	100	EA	26.80	B
	CA722/10	10P PRE ASSEM SHORT LINK FOR 6mm WIDE TB	10	EA	66.90	B
	CA509/K6WHT	6 mm WIDE MARKER BLANK	1	PKT	81.50	B
	CA509/K6WP	6 mm WIDE MARKER PRINTED	1	PKT	93.10	B

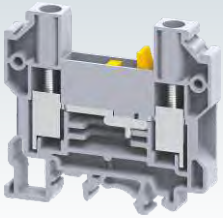


Wire Range : 0.5 - 6.0 mm²
 Current (A) : 41 A
 Voltage (V) : 1000 V
 Dimensions Width (Thickness) x Length : 8 x 42.5 mm
 Height with Din 35 x 7.5 mm Rail : 51.2 mm









	Part #	Description	Std. Pack	UOM	List Price in	Group
TERMINAL BLOCK	CKT6U	6 mm ² KNIFE DISCON TEST SOCKET SW CL TB	50	EA	75.10	B
ACCESSORIES	EP6/10U	END PLATE FOR CKT6U	50	EA	6.30	B
	CA509/K8WHT	8 mm WIDE MARKER BLANK	1	PKT	93.10	B
	CA509/K8WP	8 mm WIDE MARKER PRINTED	1	PKT	106.30	B

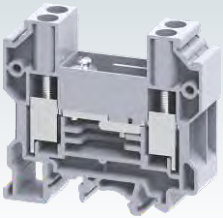
CTS SERIES STANDARD SCREW CLAMP TERMINAL BLOCKS









Wire Range : 1.5 - 10.0 mm²
 Current (A) : 57 A
 Voltage (V) : 800 V
 Dimensions Width (Thickness) x Length : 8 x 63 mm
 Height with Din 35 x 7.5 mm Rail : 58.7 mm

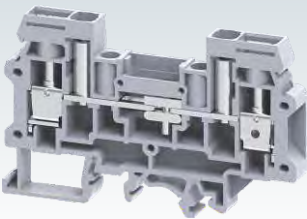
	Part #	Description	Std. Pack	UOM	List Price in	Group
TERMINAL BLOCK	CDTTU	10mm ² SLIDE LINK DISCONNECT SCREW CLMP TB	50	EA	89.00	B
	CDTTUBU	10mm ² SLIDE LINK DISCON SCRW CLMP TB BLU	50	EA	97.90	B
	CDTTUBK	10mm ² SLIDE LINK DISCON SCRW CLMP TB BLK	50	EA	97.90	B
	CDTTUR	10mm ² SLIDE LINK DISCON SCRW CLMP TB RED	50	EA	97.90	B
	CDTTUY	10mm ² SLIDE LINK DISCON SCRW CLMP TB YLW	50	EA	97.90	B
	CDTTUGN	10mm ² SLIDE LINK DISCON SCRW CLMP TB GRN	50	EA	97.90	B
ACCESSORIES	EPCDTTU	END PLATE FOR EPCDTTU	50	EA	15.00	B
	CA509/K8WHT	8 mm WIDE MARKER BLANK	1	PKT	93.10	B
	CA509/K8WP	8 mm WIDE MARKER PRINTED	1	PKT	106.30	B









Wire Range : 1.5 - 10.0 mm²
 Current (A) : 10 A
 Voltage (V) : 160 V
 Dimensions Width (Thickness) x Length : 16 x 63 mm
 Height with Din 35 x 7.5 mm Rail : 58.7 mm

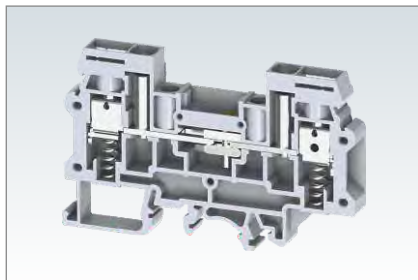
	Part #	Description	Std. Pack	UOM	List Price in	Group
TERMINAL BLOCK	CDTTUSH	10 mm ² DISCONNECT SHORTD SCREW CLAMP TB	20	EA	190.60	B
ACCESSORIES	EPCDTTU	END PLATE FOR EPCDTTU	50	EA	15.00	B
	CA509/K8WHT	8 mm WIDE MARKER BLANK	1	PKT	93.10	B
	CA509/K8WP	8 mm WIDE MARKER PRINTED	1	PKT	106.30	B



Wire Range : 0.2 - 6.0 mm²
 Current (A) : 41 A
 Voltage (V) : 800 V
 Dimensions Width (Thickness) x Length : 8 x 82 mm
 Height with Din 35 x 7.5 mm Rail : 51 mm

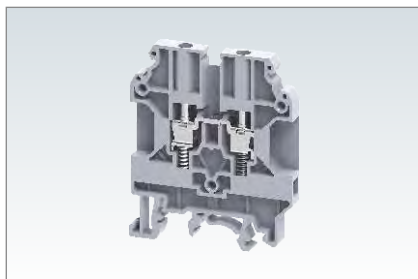
	Part #	Description	Std. Pack	UOM	List Price in	Group
TERMINAL BLOCK	CDS6U	6 mm ² SLIDE LINK DISCONNECT SCRW CLMP TB	50	EA	61.20	B
	CDS6UBU	6 mm ² SLIDE LINK DISCON SCRW CLMP TB BLU	50	EA	67.30	B
	CDS6UBK	6 mm ² SLIDE LINK DISCON SCRW CLMP TB BLK	50	EA	67.30	B
	CDS6UR	6 mm ² SLIDE LINK DISCON SCRW CLMP TB RED	50	EA	67.30	B
	CDS6UY	6 mm ² SLIDE LINK DISCON SCRW CLMP TB YLW	50	EA	67.30	B
	CDS6UGN	6 mm ² SLIDE LINK DISCON SCRW CLMP TB GRN	50	EA	67.30	B
ACCESSORIES	EPCDS6U	END PLATE FOR CDS6U	50	EA	11.80	B
	CA723/2	2P PRE ASSEMBLED SHRT LNK FR 6mm WIDE TB	100	EA	16.50	B
	CA723/3	3P PRE ASSEMBLED SHRT LNK FR 6mm WIDE TB	50	EA	24.80	B
	CA723/4	4P PRE ASSEMBLED SHRT LNK FR 6mm WIDE TB	50	EA	33.00	B
	CA723/10	10P PRE ASSEM SHORT LINK FOR 6mm WIDE TB	10	EA	82.20	B
	CA509/K8WHT	8 mm WIDE MARKER BLANK	1	PKT	93.10	B
	CA509/K8WP	8 mm WIDE MARKER PRINTED	1	PKT	106.30	B



Wire Range : 0.2 - 6.0 mm²
 Current (A) : 41 A
 Voltage (V) : 800 V
 Dimensions Width (Thickness) x Length : 8 x 82 mm
 Height with Din 35 x 7.5 mm Rail : 51 mm



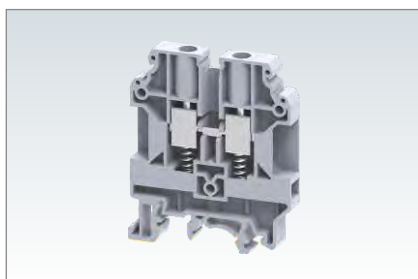
	Part #	Description	Std. Pack	UOM	List Price in	Group
TERMINAL BLOCK	CDS6U/SC	6 mm ² DISCONNECT SPRING LOADED SW CL TB	50	EA	105.10	B
ACCESSORIES	EPCDS6U	END PLATE FOR CDS6U	50	EA	11.80	B
	CA723/2	2P PRE ASSEMBLED SHRT LNK FR 6mm WIDE TB	100	EA	16.50	B
	CA723/3	3P PRE ASSEMBLED SHRT LNK FR 6mm WIDE TB	50	EA	24.80	B
	CA723/4	4P PRE ASSEMBLED SHRT LNK FR 6mm WIDE TB	50	EA	33.00	B
	CA723/10	10P PRE ASSEM SHORT LINK FOR 6mm WIDE TB	10	EA	82.20	B
	CA509/K8WHT	8 mm WIDE MARKER BLANK	1	PKT	93.10	B
	CA509/K8WP	8 mm WIDE MARKER PRINTED	1	PKT	106.30	B



Wire Range : 0.2 - 4.0 mm²
 Current (A) : 32 A
 Voltage (V) : 1000 V
 Dimensions Width (Thickness) x Length : 6 x 52 mm
 Height with Din 35 x 7.5 mm Rail : 63.4 mm



	Part #	Description	Std. Pack	UOM	List Price in	Group
TERMINAL BLOCK	CTS4USC	4 mm ² FD THRU SPRNG LOADED TERMINL BLOCK	50	EA	27.60	B
ACCESSORIES	EPUSC	END PLT FR CTS4USC/6USC/10USC/CHV SERIES	50	EA	10.40	B
	CA623/2	2P PRE ASSEM SHRT LINK FOR 6mm WIDE TB	100	EA	13.80	B
	CA623/3	3P PRE ASSEM SHRT LINK FOR 6mm WIDE TB	100	EA	20.60	B
	CA623/4	4P PRE ASSEM SHRT LINK FOR 6mm WIDE TB	100	EA	27.40	B
	CA623/10	10P PRE ASSEM SHRT LINK FOR 6mm WIDE TB	10	EA	68.30	B
	CA509/K6WHT	6 mm WIDE MARKER BLANK	1	PKT	81.50	B
	CA509/K6WP	6 mm WIDE MARKER PRINTED	1	PKT	93.10	B

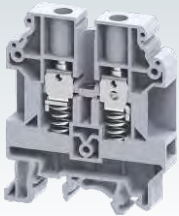


Wire Range : 0.2 - 6.0 mm²
 Current (A) : 41 A
 Voltage (V) : 1000 V
 Dimensions Width (Thickness) x Length : 8 x 52 mm
 Height with Din 35 x 7.5 mm Rail : 63.4 mm




	Part #	Description	Std. Pack	UOM	List Price in	Group
TERMINAL BLOCK	CTS6USC	6 mm ² FEED THRU SPRING LOADED TB	50	EA	32.70	B
ACCESSORIES	EPUSC	END PLT FR CTS4USC/6USC/10USC/CHV SERIES	50	EA	10.40	B
	CA624/2	2P PRE ASSEM SHRT LINK FOR 8mm WIDE TB	100	EA	15.40	B
	CA624/3	3P PRE ASSEM SHRT LINK FOR 8mm WIDE TB	100	EA	23.00	B
	CA624/4	4P PRE ASSEM SHRT LINK FOR 8mm WIDE TB	100	EA	30.70	B
	CA624/10	10P PRE ASSEM SHRT LINK FOR 8mm WIDE TB	10	EA	76.70	B
	CA509/K8WHT	8 mm WIDE MARKER BLANK	1	PKT	93.10	B
	CA509/K8WP	8 mm WIDE MARKER PRINTED	1	PKT	106.30	B

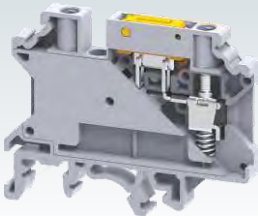
CTS SERIES STANDARD SCREW CLAMP TERMINAL BLOCKS




Wire Range : 0.2 - 10.0 mm²
Current (A) : 57 A
Voltage (V) : 1000 V
Dimensions Width (Thickness) x Length : 10 x 52 mm
Height with Din 35 x 7.5 mm Rail : 63.4 mm




	Part #	Description	Std. Pack	UOM	List Price in	Group
TERMINAL BLOCK	CTS10USC	10 mm ² FEED THRU SPRING LOADED TB	50	EA	38.90	B
ACCESSORIES	EPUSC	END PLT FR CTS4USC/6USC/10USC/CHV SERIES	50	EA	10.40	B
	CA625/2	2P PRE ASSEM SHRT LINK FOR 10mm WIDE TB	100	EA	17.20	B
	CA625/3	3P PRE ASSEM SHRT LINK FOR 10mm WIDE TB	100	EA	25.60	B
	CA625/4	4P PRE ASSEM SHRT LINK FOR 10mm WIDE TB	100	EA	34.10	B
	CA625/10	10P PRE ASSEM SHRT LINK FOR 10mm WIDE TB	10	EA	85.00	B
	CA509/K10WHT	10 mm WIDE MARKER BLANK	1	PKT	101.50	B
	CA509/K10WP	10 mm WIDE MARKER PRINTED	1	PKT	114.80	B




Wire Range : 0.2 - 4.0 mm²
Current (A) : 28 A
Voltage (V) : 1000 V
Dimensions Width (Thickness) x Length : 6 x 58.5 mm
Height with Din 35 x 7.5 mm Rail : 46 mm




	Part #	Description	Std. Pack	UOM	List Price in	Group
TERMINAL BLOCK	CKT4SPSC	4 mm ² KNIFE DISCON SPRING LOADED SW CL TB	50	EA	76.30	B
ACCESSORIES	CA722/2	2P PRE ASSEMBLED SHRT LNK FR 6mm WIDE TB	100	EA	13.50	B
	CA722/3	3P PRE ASSEMBLED SHRT LNK FR 6mm WIDE TB	100	EA	20.10	B
	CA722/4	4P PRE ASSEMBLED SHRT LNK FR 6mm WIDE TB	100	EA	26.80	B
	CA722/10	10P PRE ASSEM SHORT LINK FOR 6mm WIDE TB	10	EA	66.90	B
	CA509/K6WHT	6 mm WIDE MARKER BLANK	1	PKT	81.50	B
	CA509/K6WP	6 mm WIDE MARKER PRINTED	1	PKT	93.10	B



Wire Range : 0.2 - 4.0 mm²
Current (A) : 32 A
Voltage (V) : 500 V
Dimensions Width (Thickness) x Length : 6 x 27 mm
Height with Din 15 mm Rail : 30.4 mm




	Part #	Description	Std. Pack	UOM	List Price in	Group
TERMINAL BLOCK	CMT4	4 mm ² SCREW CLAMP TB FOR DIN15 RAIL	100	EA	10.10	B
	CMT4BU	4 mm ² SCREW CLAMP TB FOR DIN15 RAIL BLU	100	EA	11.10	B
	CMT4BK	4 mm ² SCREW CLAMP TB FOR DIN15 RAIL BLK	100	EA	11.10	B
	CMT4R	4 mm ² SCREW CLAMP TB FOR DIN15 RAIL RED	100	EA	11.10	B
	CMT4Y	4 mm ² SCREW CLAMP TB FOR DIN15 RAIL YLW	100	EA	11.10	B
	CMT4GN	4 mm ² SCREW CLAMP TB FOR DIN15 RAIL GRN	100	EA	11.10	B
ACCESSORIES	EPCMT4	END PLATE FOR CMT4	50	EA	6.00	B
	PPCMT4	PARTITION PLATE FOR CMT4	50	EA	7.70	B
	CA727/2	2P PRE ASSEMBLED SHRT LNK FR 6mm WIDE TB	100	EA	13.50	B
	CA727/3	3P PRE ASSEMBLED SHRT LNK FR 6mm WIDE TB	100	EA	20.10	B
	CA727/4	4P PRE ASSEMBLED SHRT LNK FR 6mm WIDE TB	100	EA	26.80	B
	CA727/10	10P PRE ASSEM SHORT LINK FOR 6mm WIDE TB	10	EA	66.90	B
	CA509/K2WHT	6 mm WIDE MARKER BLANK	1	PKT	81.50	B
	CA509/K2WP	6 mm WIDE MARKER PRINTED	1	PKT	93.10	B



Wire Range : 0.2 - 10.0 mm²
 Current (A) : 57 A
 Voltage (V) : 500 V
 Dimensions Width (Thickness) x Length : 10 x 33.5 mm
 Height with Din 15 mm Rail : 36 mm

IECEE CE CB US

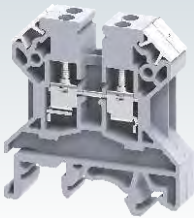
	Part #	Description	Std. Pack	UOM	List Price in	Group
TERMINAL BLOCK	CMT10	10 MM ² SCREW CLAMP TB FOR DIN15 RAIL (CMT10)	100	EA	39.70	A
ACCESSORIES	EPCMT10	END PLATE FOR CMT10 (EPCMT10)	50	EA	7.90	A
	JY10/2	2 POLE INSULATED SHORTING LINK FOR CY10	20	EA	35.60	A
	CA602	POLYAMIDE SCREW END CLAMP FOR DIN15	50	EA	7.50	B
	CA509/K10WHT	10 mm WIDE MARKER BLANK	1	PKT	101.50	B
	CA509/K10WP	10 mm WIDE MARKER PRINTED	1	PKT	114.80	B



Wire Range : 0.2 - 4.0 mm²
 Current (A) : 32 A
 Voltage (V) : 500 V
 Dimensions Width (Thickness) x Length : 6 x 27 mm
 Height : 28.5 mm

IECEE CE CB US VDE ENEC Lloyd's Register

	Part #	Description	Std. Pack	UOM	List Price in	Group
TERMINAL BLOCK	CMB4	4 mm ² PANEL MOUNT SCREW CLAMP TERMINAL	100	EA	12.50	B
	CMB4BU	4 mm ² PANEL MOUNT SCREW CLAMP TB BLUE	100	EA	13.70	B
	CMB4BK	4 mm ² PANEL MOUNT SCREW CLAMP TB BLACK	100	EA	13.70	B
	CMB4R	4 mm ² PANEL MOUNT SCREW CLAMP TB RED	100	EA	13.70	B
	CMB4Y	4 mm ² PANEL MOUNT SCREW CLAMP TB YELLOW	100	EA	13.70	B
	CMB4GN	4 mm ² PANEL MOUNT SCREW CLAMP TB GREEN	100	EA	13.70	B
ACCESSORIES	EPCMB4	END PLATE FOR CMB4	50	EA	7.10	B
	CA727/2	2P PRE ASSEMBLED SHRT LNK FR 6mm WIDE TB	100	EA	13.50	B
	CA727/3	3P PRE ASSEMBLED SHRT LNK FR 6mm WIDE TB	100	EA	20.10	B
	CA727/4	4P PRE ASSEMBLED SHRT LNK FR 6mm WIDE TB	100	EA	26.80	B
	CA727/10	10P PRE ASSEM SHORT LINK FOR 6mm WIDE TB	10	EA	66.90	B
	CA509/K2WHT	6 mm WIDE MARKER BLANK	1	PKT	81.50	B
CA509/K2WP	6 mm WIDE MARKER PRINTED	1	PKT	93.10	B	

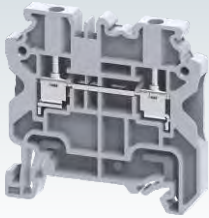


Wire Range : 0.2 - 2.5 mm²
 Current (A) : 10 A
 Voltage (V) : 1000 V
 Dimensions Width (Thickness) x Length : 10 x 43 mm
 Height with Din 35 x 7.5 mm Rail : 46.2 mm


IECEE CE Lloyd's Register

	Part #	Description	Std. Pack	UOM	List Price in	Group
TERMINAL BLOCK	CTT2.5UE	2.5 mm ² E-TYPE THERMOCOUPLE TERMINAL	50	EA	103.00	A
	CTT2.5UJ	2.5 mm ² J-TYPE THERMOCOUPLE TERMINAL	50	EA	103.00	A
	CTT2.5UK	2.5 mm ² K-TYPE THERMOCOUPLE TERMINAL	50	EA	78.70	A
	CTT2.5UT	2.5 mm ² T-TYPE THERMOCOUPLE TERMINAL	50	EA	103.00	A
ACCESSORIES	EP2.5/4UN	END PLATE FOR CTS2.5UN/4UN	50	EA	5.80	B
	PP2.5/4UN	PARTITION PLATE FOR CTS2.5UN/4UN/2.5UE	50	EA	11.40	B
	CA509/K5WHT	5 mm WIDE MARKER BLANK	1	PKT	81.50	B
	CA509/K5WP	5 mm WIDE MARKER PRINTED	1	PKT	93.10	B

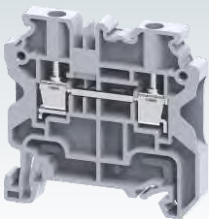
HIGH PERFORMANCE CY SERIES SCREW CLAMP TERMINAL BLOCKS




Wire Range : 0.2 - 2.5 mm²
Current (A) : 24 A
Voltage (V) : 1000 V
Dimensions Width (Thickness) x Length : 5 x 50 mm
Height with Din 35 x 7.5 mm Rail : 49 mm



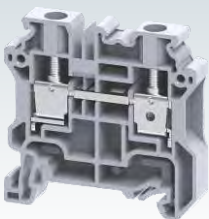
	Part #	Description	Std. Pack	UOM	List Price in	Group
TERMINAL BLOCK	CY2.5	2.5 mm ² FEED THRU SCREW CLAMP TER	100	EA	11.20	A
	CY2.5BU	2.5 mm ² FEED THRU SCREW CLAMP TB BLU	100	EA	12.30	A
ACCESSORIES	EPCY2.5/10	END PLATE FOR CY2.5/4/6/10 CYG2.5/4/	50	EA	7.20	A
	JX2.5/2	2 POLE SHRT LNK FR 5MM WIDE SP CL TB	100	EA	9.50	A
	JX2.5/3	3 POLE SHRT LNK FR 5MM WIDE SP CL TB	50	EA	16.50	A
	JX2.5/4	4 POLE SHRT LNK FR 5MM WIDE SP CL TB	50	EA	28.20	A
	JX2.5/10	10 POLE SHRT LNK FR 5MM WIDE SP CL TB	10	EA	73.00	A
	CA509/K5WHT	5 mm WIDE MARKER BLANK	1	PKT	81.50	B
	CA509/K5WP	CA509/K5-P PRINTED MARKERS WHT	1	PKT	93.10	B




Wire Range : 0.2 - 4.0 mm²
Current (A) : 32 A
Voltage (V) : 1000 V
Dimensions Width (Thickness) x Length : 6 x 50 mm
Height with Din 35 x 7.5 mm Rail : 49 mm



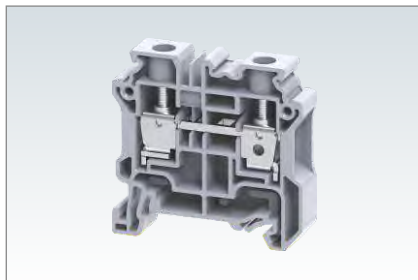
	Part #	Description	Std. Pack	UOM	List Price in	Group
TERMINAL BLOCK	CY4	4 mm ² FEED THRU SCREW CLAMP TERMI	100	EA	13.50	A
	CY4BU	4 mm ² FEED THRU SCREW CLAMP TB BLU	100	EA	14.80	A
ACCESSORIES	EPCY2.5/10	END PLATE FOR CY2.5/4/6/10 CYG2.5/4/	50	EA	7.20	A
	JX4/2	2 POLE SHRT LNK FR 6MM WIDE SP CL TB	100	EA	16.20	A
	JX4/3	3 POLE SHRT LNK FR 6MM WIDE SP CL TB	50	EA	27.80	A
	JX4/4	4 POLE SHRT LNK FR 6MM WIDE SP CL TB	50	EA	41.80	A
	JX4/10	10 POLE SHRT LNK FR 6MM WIDE SP CL TB	10	EA	97.50	A
	CA509/K6WHT	6 mm WIDE MARKER BLANK	1	PKT	81.50	B
	CA509/K6WP	CA509/K6-P PRINTED MARKERS WHT	1	PKT	93.10	B



Wire Range : 0.2 - 6.0 mm²
Current (A) : 41 A
Voltage (V) : 1000 V
Dimensions Width (Thickness) x Length : 8 x 50 mm
Height with Din 35 x 7.5 mm Rail : 49 mm



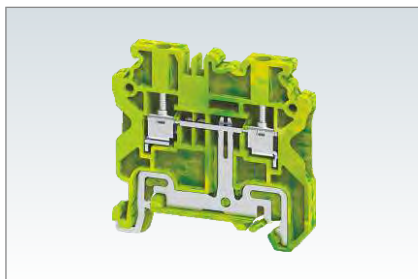
	Part #	Description	Std. Pack	UOM	List Price in	Group
TERMINAL BLOCK	CY6	6 mm ² FEED THRU SCREW CLAMP TERMI	100	EA	18.00	A
	CY6BU	6 mm ² FEED THRU SCREW CLAMP TB BLU	100	EA	19.80	A
ACCESSORIES	EPCY2.5/10	END PLATE FOR CY2.5/4/6/10 CYG2.5/4/	50	EA	7.20	A
	JY6/2	2 POLE SHRT LNK FR 8MM WIDE SW CL TB	100	EA	24.50	A
	CA509/K8WHT	8 mm WIDE MARKER BLANK	1	PKT	93.10	B
	CA509/K8WP	CA509/K8-P PRINTED MARKERS WHT	1	PKT	106.30	B



Wire Range : 0.2 - 10.0 mm²
 Current (A) : 57 A
 Voltage (V) : 1000 V
 Dimensions Width (Thickness) x Length : 10 x 50 mm
 Height with Din 35 x 7.5 mm Rail : 49 mm



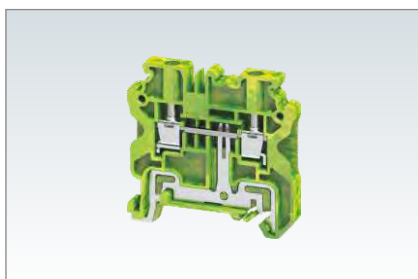
	Part #	Description	Std. Pack	UOM	List Price in	Group
TERMINAL BLOCK	CY10	10 mm ² FEED THRU SCREW CLAMP TERM	50	EA	22.70	A
	CY10BU	10 mm ² FEED THRU SCREW CLAMP TB BLU	50	EA	24.90	A
ACCESSORIES	EPCY2.5/10	END PLATE FOR CY2.5/4/6/10 CYG2.5/4/	50	EA	7.20	A
	JY10/2	2 POLE SHRT LNK FR 10MM WIDE SW CL TB	20	EA	35.60	A
	CA509/K10WHT	10 mm WIDE MARKER BLANK	1	PKT	101.50	B
	CA509/K10WP	10 mm WIDE MARKER PRINTED	1	PKT	114.80	B



Wire Range : 0.2 - 2.5 mm²
 Dimensions Width (Thickness) x Length : 5 x 50 mm
 Height with Din 35 x 7.5 mm Rail : 49 mm



	Part #	Description	Std. Pack	UOM	List Price in	Group
TERMINAL BLOCK	CYG2.5	2.5 mm ² SCREW CLAMP GROUND TERMIN	100	EA	72.60	A
ACCESSORIES	EPCY2.5/10	END PLATE FOR CY2.5/4/6/10 CYG2.5/4/	50	EA	7.20	A
	JX2.5/2	2 POLE SHRT LNK FR 5MM WIDE SP CL TB	100	EA	9.50	A
	JX2.5/3	3 POLE SHRT LNK FR 5MM WIDE SP CL TB	50	EA	16.50	A
	JX2.5/4	4 POLE SHRT LNK FR 5MM WIDE SP CL TB	50	EA	28.20	A
	JX2.5/10	10 POLE SHRT LNK FR 5MM WIDE SP CL TB	10	EA	73.00	A
	CA509/K5WHT	5 mm WIDE MARKER BLANK	1	PKT	81.50	B
CA509/K5WP	CA509/K5-P PRINTED MARKERS WHT	1	PKT	93.10	B	

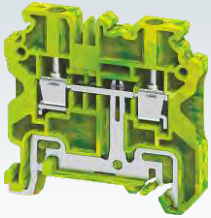


Wire Range : 0.2 - 4.0 mm²
 Dimensions Width (Thickness) x Length : 6 x 50 mm
 Height with Din 35 x 7.5 mm Rail : 49 mm








	Part #	Description	Std. Pack	UOM	List Price in	Group
TERMINAL BLOCK	CYG4	4 mm ² SCREW CLAMP GROUND TERMINAL	100	EA	79.40	A
ACCESSORIES	EPCY2.5/10	END PLATE FOR CY2.5/4/6/10 CYG2.5/4/	50	EA	7.20	A
	JX4/2	2 POLE SHRT LNK FR 6MM WIDE SP CL TB	100	EA	16.20	A
	JX4/3	3 POLE SHRT LNK FR 6MM WIDE SP CL TB	50	EA	27.80	A
	JX4/4	4 POLE SHRT LNK FR 6MM WIDE SP CL TB	50	EA	41.80	A
	JX4/10	10 POLE SHRT LNK FR 6MM WIDE SP CL TB	10	EA	97.50	A
	CA509/K6WHT	6 mm WIDE MARKER BLANK	1	PKT	81.50	B
CA509/K6WP	CA509/K6-P PRINTED MARKERS WHT	1	PKT	93.10	B	

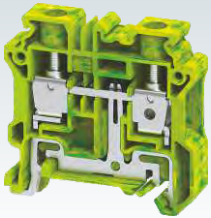
HIGH PERFORMANCE CY SERIES SCREW CLAMP TERMINAL BLOCKS








Wire Range : 0.2 - 6.0 mm²
 Dimensions Width (Thickness) x Length : 8 x 50 mm
 Height with Din 35 x 7.5 mm Rail : 49 mm

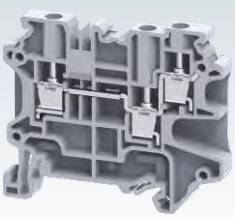
	Part #	Description	Std. Pack	UOM	List Price in	Group
TERMINAL BLOCK	CYG6	6 mm ² SCREW CLAMP GROUND TERMINAL	100	EA	95.50	A
ACCESSORIES	EPCY2.5/10	END PLATE FOR CY2.5/4/6/10 CYG2.5/4/	50	EA	7.20	A
	JY6/2	2 POLE SHRT LNK FR 8MM WIDE SW CL TB	100	EA	24.50	A
	CA509/K8WHT	8 mm WIDE MARKER BLANK	1	PKT	93.10	B
	CA509/K8WP	CA509/K8-P PRINTED MARKERS WHT	1	PKT	106.30	B








Wire Range : 0.2 - 10.0 mm²
 Dimensions Width (Thickness) x Length : 10 x 50 mm
 Height with Din 35 x 7.5 mm Rail : 49 mm

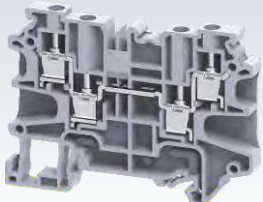
	Part #	Description	Std. Pack	UOM	List Price in	Group
TERMINAL BLOCK	CYG10	10 mm ² SCREW CLAMP GROUND TERMINA	50	EA	116.40	A
ACCESSORIES	EPCY2.5/10	END PLATE FOR CY2.5/4/6/10 CYG2.5/4/	50	EA	7.20	A
	JY10/2	2 POLE SHRT LNK FR 10MM WIDE SW CL TB	20	EA	35.60	A
	CA509/K10WHT	10 mm WIDE MARKER BLANK	1	PKT	101.50	B
	CA509/K10WP	10 mm WIDE MARKER PRINTED	1	PKT	114.80	B









Wire Range : 0.2 - 4.0 mm²
 Current (A) : 32 A
 Voltage (V) : 1000 V
 Dimensions Width (Thickness) x Length : 6 x 58.8 mm
 Height with Din 35 x 7.5 mm Rail : 50.7 mm

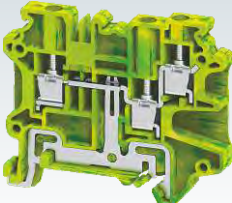
	Part #	Description	Std. Pack	UOM	List Price in	Group
TERMINAL BLOCK	CY4/3	4 mm ² FEED THRU SCREW CLAMP 3 WIRE TB	50	EA	30.60	A
	CY4/3BU	4mm ² FEED THRU SCREW CLAMP 3 WIRE TB BLU	50	EA	33.60	A
ACCESSORIES	EPCY4/3	END PLATE FOR CY4/3	50	EA	13.00	A
	JX4/2	2 POLE SHRT LNK FR 6MM WIDE SP CL TB	100	EA	16.20	A
	JX4/3	3 POLE SHRT LNK FR 6MM WIDE SP CL TB	50	EA	27.80	A
	JX4/4	4 POLE SHRT LNK FR 6MM WIDE SP CL TB	50	EA	41.80	A
	JX4/10	10 POLE SHRT LNK FR 6MM WIDE SP CL TB	10	EA	97.50	A
	CA509/K6WHT	6 mm WIDE MARKER BLANK	1	PKT	81.50	B
CA509/K6WP	CA509/K6-P PRINTED MARKERS WHT	1	PKT	93.10	B	









Wire Range : 0.2 - 4.0 mm²
 Current (A) : 32 A
 Voltage (V) : 1000 V
 Dimensions Width (Thickness) x Length : 6 x 69.7 mm
 Height with Din 35 x 7.5 mm Rail : 50.7 mm

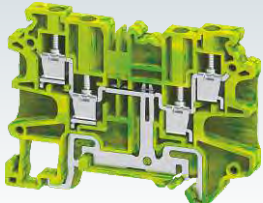
	Part #	Description	Std. Pack	UOM	List Price in	Group
TERMINAL BLOCK	CY4/4	4 mm ² FEED THRU SCREW CLAMP 4 WIRE TB	50	EA	42.90	A
ACCESSORIES	EPCY4/4	END PLATE FOR CY4/4	50	EA	18.20	A
	JX4/2	2 POLE SHRT LNK FR 6MM WIDE SP CL TB	100	EA	16.20	A
	JX4/3	3 POLE SHRT LNK FR 6MM WIDE SP CL TB	50	EA	27.80	A
	JX4/4	4 POLE SHRT LNK FR 6MM WIDE SP CL TB	50	EA	41.80	A
	JX4/10	10 POLE SHRT LNK FR 6MM WIDE SP CL TB	10	EA	97.50	A
	CA509/K6WHT	6 mm WIDE MARKER BLANK	1	PKT	81.50	B
	CA509/K6WP	CA509/K6-P PRINTED MARKERS WHT	1	PKT	93.10	B









Wire Range : 0.2 - 4.0 mm²
 Dimensions Width (Thickness) x Length : 6 x 58.8 mm
 Height with Din 35 x 7.5 mm Rail : 50.7 mm

	Part #	Description	Std. Pack	UOM	List Price in	Group
TERMINAL BLOCK	CYG4/3	4 mm ² FEED THRU SP CL 3 WIRE GROUND TB	50	EA	120.30	A
ACCESSORIES	EPCY4/3	END PLATE FOR CY4/3	50	EA	13.00	A
	JX4/2	2 POLE SHRT LNK FR 6MM WIDE SP CL TB	100	EA	16.20	A
	JX4/3	3 POLE SHRT LNK FR 6MM WIDE SP CL TB	50	EA	27.80	A
	JX4/4	4 POLE SHRT LNK FR 6MM WIDE SP CL TB	50	EA	41.80	A
	JX4/10	10 POLE SHRT LNK FR 6MM WIDE SP CL TB	10	EA	97.50	A
	CA509/K6WHT	6 mm WIDE MARKER BLANK	1	PKT	81.50	B
	CA509/K6WP	CA509/K6-P PRINTED MARKERS WHT	1	PKT	93.10	B

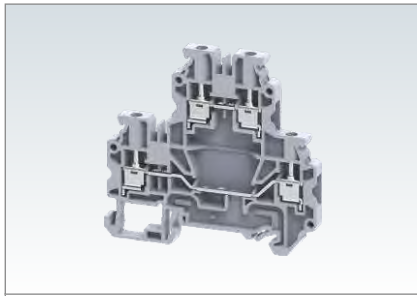


Wire Range : 0.2 - 4.0 mm²
 Dimensions Width (Thickness) x Length : 6 x 69.7 mm
 Height with Din 35 x 7.5 mm Rail : 50.7 mm

	Part #	Description	Std. Pack	UOM	List Price in	Group
TERMINAL BLOCK	CYG4/4	4 mm ² FEED THRU SP CL 4 WIRE GROUND TB	50	EA	133.10	A
ACCESSORIES	EPCY4/4	END PLATE FOR CY4/4	50	EA	18.20	A
	JX4/2	2 POLE SHRT LNK FR 6MM WIDE SP CL TB	100	EA	16.20	A
	JX4/3	3 POLE SHRT LNK FR 6MM WIDE SP CL TB	50	EA	27.80	A
	JX4/4	4 POLE SHRT LNK FR 6MM WIDE SP CL TB	50	EA	41.80	A
	JX4/10	10 POLE SHRT LNK FR 6MM WIDE SP CL TB	10	EA	97.50	A
	CA509/K6WHT	6 mm WIDE MARKER BLANK	1	PKT	81.50	B
	CA509/K6WP	CA509/K6-P PRINTED MARKERS WHT	1	PKT	93.10	B

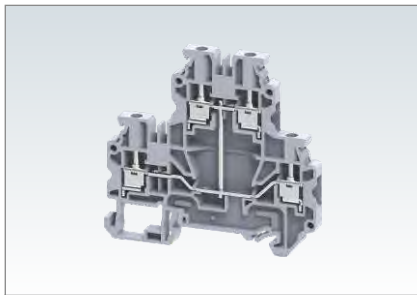
HIGH PERFORMANCE CY SERIES SCREW CLAMP TERMINAL BLOCKS



Wire Range : 0.2 - 2.5 mm²
 Current (A) : 24 A
 Voltage (V) : 500 V
 Dimensions Width (Thickness) x Length : 5 x 70.5 mm
 Height with Din 35 x 7.5 mm Rail : 65.9 mm



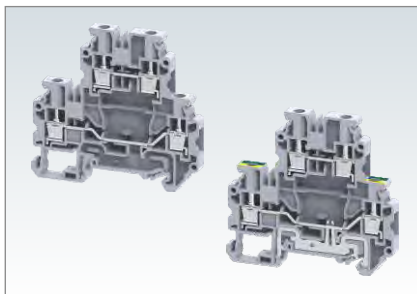
	Part #	Description	Std. Pack	UOM	List Price in	Group
TERMINAL BLOCK	CYDL2.5	2.5mm ² 2 LEVEL FD THRU SCREW CLMP TB	50	EA	35.00	A
	CYDLG2.5	2.5mm ² 2 LEVEL FD THRU SCRW CLMP GND TB	50	EA	119.80	A
ACCESSORIES	EPCYDL2.5/4	END PLATE FOR CYDL2.5 & CYDL4	50	EA	12.10	A
	PPCYDL2.5/4	PARTITION PLATE FOR CYDL2.5 CYDL4	50	EA		A
	JX2.5/2	2 POLE SHRT LNK FR 5MM WIDE SP CL TB	100	EA	9.50	A
	JX2.5/3	3 POLE SHRT LNK FR 5MM WIDE SP CL TB	50	EA	16.50	A
	JX2.5/4	4 POLE SHRT LNK FR 5MM WIDE SP CL TB	50	EA	28.20	A
	JX2.5/10	10 POLE SHRT LNK FR 5MM WIDE SP CL TB	10	EA	73.00	A
	CA509/K5WHT	5 mm WIDE MARKER BLANK	1	PKT	81.50	B
CA509/K5WP	CA509/K5-P PRINTED MARKERS WHT	1	PKT	93.10	B	



Wire Range : 0.2 - 2.5 mm²
 Current (A) : 24 A
 Voltage (V) : 500 V
 Dimensions Width (Thickness) x Length : 5 x 70.5 mm
 Height with Din 35 x 7.5 mm Rail : 65.9 mm



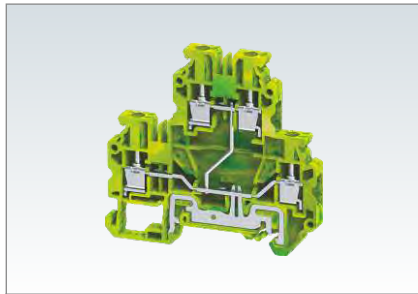
	Part #	Description	Std. Pack	UOM	List Price in	Group
TERMINAL BLOCK	CYDL2.5(I.S)	2.5mm ² 2 LEVEL FD THRU SW CL INT SHRT TB	50	EA	50.80	A
ACCESSORIES	EPCYDL2.5/4	END PLATE FOR CYDL2.5 & CYDL4	50	EA	12.10	A
	PPCYDL2.5/4	PARTITION PLATE FOR CYDL2.5 CYDL4	50	EA		A
	JX2.5/2	2 POLE SHRT LNK FR 5MM WIDE SP CL TB	100	EA	9.50	A
	JX2.5/3	3 POLE SHRT LNK FR 5MM WIDE SP CL TB	50	EA	16.50	A
	JX2.5/4	4 POLE SHRT LNK FR 5MM WIDE SP CL TB	50	EA	28.20	A
	JX2.5/10	10 POLE SHRT LNK FR 5MM WIDE SP CL TB	10	EA	73.00	A
	CA509/K5WHT	5 mm WIDE MARKER BLANK	1	PKT	81.50	B
CA509/K5WP	CA509/K5-P PRINTED MARKERS WHT	1	PKT	93.10	B	



Wire Range : 0.2 - 4.0 mm²
 Current (A) : 32 A
 Voltage (V) : 800 V
 Dimensions Width (Thickness) x Length : 6 x 70.5 mm
 Height with Din 35 x 7.5 mm Rail : 65.9 mm



	Part #	Description	Std. Pack	UOM	List Price in	Group
TERMINAL BLOCK	CYDL4	4mm ² 2 LEVEL FD THRU SCREW CLMP TB	50	EA	38.00	A
ACCESSORIES	EPCYDL2.5/4	END PLATE FOR CYDL2.5 & CYDL4	50	EA	12.10	A
	JX4/2	2 POLE SHRT LNK FR 6MM WIDE SP CL TB	100	EA	16.20	A
	JX4/3	3 POLE SHRT LNK FR 6MM WIDE SP CL TB	50	EA	27.80	A
	JX4/4	4 POLE SHRT LNK FR 6MM WIDE SP CL TB	50	EA	41.80	A
	JX4/10	10 POLE SHRT LNK FR 6MM WIDE SP CL TB	10	EA	97.50	A
	CA509/K6WHT	6 mm WIDE MARKER BLANK	1	PKT	81.50	B
	CA509/K6WP	CA509/K6-P PRINTED MARKERS WHT	1	PKT	93.10	B



Wire Range : 0.2 - 4.0 mm²
 Dimensions Width (Thickness) x Length : 6 x 70.5 mm
 Height with Din 35 x 7.5 mm Rail : 65.9 mm



	Part #	Description	Std. Pack	UOM	List Price in	Group
TERMINAL BLOCK	CYDLG4(I.S)	4mm ² 2 LEVEL SCRW CLMP GND TB	50	EA	162.00	A
ACCESSORIES	EPCYDL2.5/4	END PLATE FOR CYDL2.5 & CYDL4	50	EA	12.10	A
	PPCYDL2.5/4	PARTITION PLATE FOR CYDL2.5 CYDL4	50	EA		A
	JX4/2	2 POLE SHRT LNK FR 6MM WIDE SP CL TB	100	EA	16.20	A
	JX4/3	3 POLE SHRT LNK FR 6MM WIDE SP CL TB	50	EA	27.80	A
	JX4/4	4 POLE SHRT LNK FR 6MM WIDE SP CL TB	50	EA	41.80	A
	JX4/10	10 POLE SHRT LNK FR 6MM WIDE SP CL TB	10	EA	97.50	A
	CA509/K6WHT	6 mm WIDE MARKER BLANK	1	PKT	81.50	B
CA509/K6WP	CA509/K6-P PRINTED MARKERS WHT	1	PKT	93.10	B	



Wire Range : 0.2 - 2.5 mm²
 Current (A) : 10 A
 Voltage (V) : 250 V
 Dimensions Width (Thickness) x Length : 6 x 99.2 mm
 Height with Din 35 x 7.5 mm Rail : 107.5 mm



	Part #	Description	Std. Pack	UOM	List Price in	Group
TERMINAL BLOCK	CYTLF2.5	2.5MM ² 3 LEVEL FD THRU SCRW CLMP FUSE TB	50	EA	161.60	A
	CYTLF2.5L6-60V	2.5MM ² 3 LVL SC CL FUSE TB LED 6-60V	50	EA	210.00	A
	CYTLF2.5L110-240V	2.5MM ² 3 LVL SC CL FUSE TB LED 110-240V	50	EA	210.00	A
ACCESSORIES	JX4/2	2 POLE SHRT LNK FR 6MM WIDE SP CL TB	100	EA	16.20	A
	JX4/3	3 POLE SHRT LNK FR 6MM WIDE SP CL TB	50	EA	27.80	A
	JX4/4	4 POLE SHRT LNK FR 6MM WIDE SP CL TB	50	EA	41.80	A
	CA509/K6WHT	6 mm WIDE MARKER BLANK	1	PKT	81.50	B
	CA509/K6WP	CA509/K6-P PRINTED MARKERS WHT	1	PKT	93.10	B



Wire Range : 0.2 - 2.5 mm²
 Current (A) : 10 A
 Voltage (V) : 250 V
 Dimensions Width (Thickness) x Length : 6 x 99.2 mm
 Height with Din 35 x 7.5 mm Rail : 107.5 mm




	Part #	Description	Std. Pack	UOM	List Price in	Group
TERMINAL BLOCK	CYTLGF2.5	2.5MM ² 3 LEVEL SCRW CLMP FUSE GND TB	50	EA	203.50	A
	CYTLGF2.5L6-60V	2.5MM ² 3 LVL SC CL FUSE GND TB LED 6-60V	50	EA	264.50	A
	CYTLGF2.5L110-240V	2.5MM ² 3 LVL SC FUSE GND TB LED 110-240V	50	EA	264.50	A
ACCESSORIES	JX4/2	2 POLE SHRT LNK FR 6MM WIDE SP CL TB	100	EA	16.20	A
	JX4/3	3 POLE SHRT LNK FR 6MM WIDE SP CL TB	50	EA	27.80	A
	JX4/4	4 POLE SHRT LNK FR 6MM WIDE SP CL TB	50	EA	41.80	A
	CA509/K6WHT	6 mm WIDE MARKER BLANK	1	PKT	81.50	B
	CA509/K6WP	CA509/K6-P PRINTED MARKERS WHT	1	PKT	93.10	B

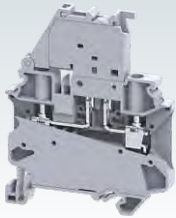
HIGH PERFORMANCE CY SERIES SCREW CLAMP TERMINAL BLOCKS




Wire Range : 0.2 - 4.0 mm²
 Current (A) : 10 A
 Voltage (V) : 1000 V
 Dimensions Width (Thickness) x Length : 6 x 58.8 mm
 Height with Din 35 x 7.5 mm Rail : 72.4 mm



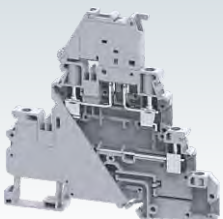
	Part #	Description	Std. Pack	UOM	List Price in	Group
TERMINAL BLOCK	CYF4	4mm ² Ø5X20mm FUSE 6mm WIDE TERMNAL BLOCK	50	EA	58.50	A
	CYF4BU	4mm ² Ø5X20mm FUSE 6mm WIDE TB BLUE	50	EA	64.30	A
ACCESSORIES	JX4/2	2 POLE SHRT LNK FR 6MM WIDE SP CL TB	100	EA	16.20	A
	JX4/3	3 POLE SHRT LNK FR 6MM WIDE SP CL TB	50	EA	27.80	A
	JX4/4	4 POLE SHRT LNK FR 6MM WIDE SP CL TB	50	EA	41.80	A
	JX4/10	10 POLE SHRT LNK FR 6MM WIDE SP CL TB	10	EA	97.50	A
	CA509/K6WHT	6 mm WIDE MARKER BLANK	1	PKT	81.50	B
	CA509/K6WP	CA509/K6-P PRINTED MARKERS WHT	1	PKT	93.10	B




Wire Range : 0.2 - 4.0 mm²
 Current (A) : 10 A / 32 A
 Voltage (V) : 1000 V
 Dimensions Width (Thickness) x Length : 6 x 58.8 mm
 Height with Din 35 x 7.5 mm Rail : 72.4 mm



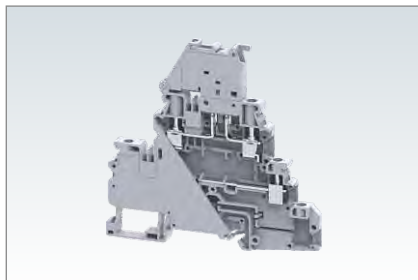
	Part #	Description	Std. Pack	UOM	List Price in	Group
TERMINAL BLOCK	CYF4L6-60V	4mm ² Ø5X20mm FUSE SC CL TB LED 6-60V	50	EA	79.00	A
	CYF4L110-240V	4mm ² Ø5X20mm FUSE SC CL TB LED 110-240V	50	EA	79.00	A
ACCESSORIES	JX4/2	2 POLE SHRT LNK FR 6MM WIDE SP CL TB	100	EA	16.20	A
	JX4/3	3 POLE SHRT LNK FR 6MM WIDE SP CL TB	50	EA	27.80	A
	JX4/4	4 POLE SHRT LNK FR 6MM WIDE SP CL TB	50	EA	41.80	A
	JX4/10	10 POLE SHRT LNK FR 6MM WIDE SP CL TB	10	EA	97.50	A
	CA509/K6WHT	6 mm WIDE MARKER BLANK	1	PKT	81.50	B
	CA509/K6WP	CA509/K6-P PRINTED MARKERS WHT	1	PKT	93.10	B



Wire Range : 0.2 - 4.0 mm²
 Current (A) : 10 A / 32 A
 Voltage (V) : 500 V
 Dimensions Width (Thickness) x Length : 6 x 94.5 mm
 Height with Din 35 x 7.5 mm Rail : 90.9 mm



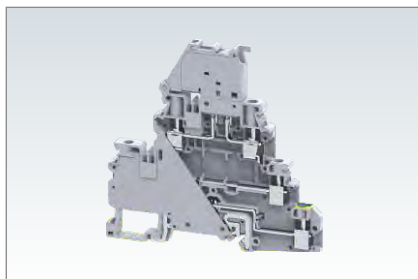
	Part #	Description	Std. Pack	UOM	List Price in	Group
TERMINAL BLOCK	CYDLF4	4mm ² 2 LEVEL Ø5X20mm SCREW CL FUSE	50	EA	113.00	A
ACCESSORIES	JX4/2	2 POLE SHRT LNK FR 6MM WIDE SP CL TB	100	EA	16.20	A
	JX4/3	3 POLE SHRT LNK FR 6MM WIDE SP CL TB	50	EA	27.80	A
	JX4/4	4 POLE SHRT LNK FR 6MM WIDE SP CL TB	50	EA	41.80	A
	JX4/10	10 POLE SHRT LNK FR 6MM WIDE SP CL TB	10	EA	97.50	A
	CA509/K6WHT	6 mm WIDE MARKER BLANK	1	PKT	81.50	B
	CA509/K6WP	CA509/K6-P PRINTED MARKERS WHT	1	PKT	93.10	B



Wire Range : 0.2 - 4.0 mm²
 Current (A) : 10 A
 Voltage (V) : 500 V
 Dimensions Width (Thickness) x Length : 6 x 94.5 mm
 Height with Din 35 x 7.5 mm Rail : 90.9 mm



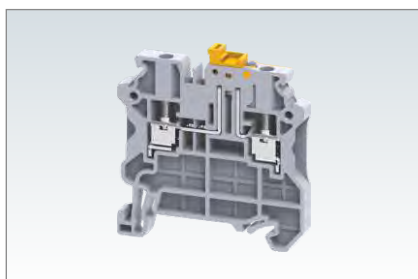
	Part #	Description	Std. Pack	UOM	List Price in	Group
TERMINAL BLOCK	CYDLF4L6-60V	4mm ² Ø5X20mm FUSE SC CL TB LED 6-60V	50	EA	153.00	A
	CYDLF4L110-240V	4mm ² Ø5X20mm FUSE SC CL TB LED 110-240V	50	EA	153.00	A
ACCESSORIES	JX4/2	2 POLE SHRT LNK FR 6MM WIDE SP CL TB	100	EA	16.20	A
	JX4/3	3 POLE SHRT LNK FR 6MM WIDE SP CL TB	50	EA	27.80	A
	JX4/4	4 POLE SHRT LNK FR 6MM WIDE SP CL TB	50	EA	41.80	A
	JX4/10	10 POLE SHRT LNK FR 6MM WIDE SP CL TB	10	EA	97.50	A
	CA509/K6WHT	6 mm WIDE MARKER BLANK	1	PKT	81.50	B
	CA509/K6WP	CA509/K6-P PRINTED MARKERS WHT	1	PKT	93.10	B



Wire Range : 0.2 - 4.0 mm²
 Current (A) : 10 A / 32 A
 Voltage (V) : 500 V
 Dimensions Width (Thickness) x Length : 6 x 94.5 mm
 Height with Din 35 x 7.5 mm Rail : 90.9 mm



	Part #	Description	Std. Pack	UOM	List Price in	Group
TERMINAL BLOCK	CYDLGF4	4mm ² 2 LEVEL Ø5X20mm FUSE+GND SW CL	50	EA	186.30	A
ACCESSORIES	JX4/2	2 POLE SHRT LNK FR 6MM WIDE SP CL TB	100	EA	16.20	A
	JX4/3	3 POLE SHRT LNK FR 6MM WIDE SP CL TB	50	EA	27.80	A
	JX4/4	4 POLE SHRT LNK FR 6MM WIDE SP CL TB	50	EA	41.80	A
	JX4/10	10 POLE SHRT LNK FR 6MM WIDE SP CL TB	10	EA	97.50	A
	CA509/K6WHT	6 mm WIDE MARKER BLANK	1	PKT	81.50	B
	CA509/K6WP	CA509/K6-P PRINTED MARKERS WHT	1	PKT	93.10	B

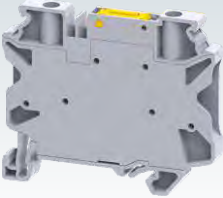


Wire Range : 0.2 - 2.5 mm²
 Current (A) : 20 A
 Voltage (V) : 500 V
 Dimensions Width (Thickness) x Length : 6 x 50 mm
 Height with Din 35 x 7.5 mm Rail : 53.15 mm




	Part #	Description	Std. Pack	UOM	List Price in	Group
TERMINAL BLOCK	CYK2.5	2.5 mm ² 2 WIRE KNIFE DISCON SCREW CL TB	100	EA	37.70	A
	CYK2.5BU	2.5 mm ² 2 WIRE KNIFE DISCON SCREW CL TB BLUE	100	EA	41.40	A
ACCESSORIES	EPCY2.5/10	END PLATE FOR CY2.5/4/6/10 CYG2.5/4/	50	EA	7.20	A
	JX2.5/2	3 POLE SHRT LNK FR 6MM WIDE SP CL TB	100	EA	9.50	A
	JX2.5/3	4 POLE SHRT LNK FR 6MM WIDE SP CL TB	50	EA	16.50	A
	JX2.5/4	10 POLE SHRT LNK FR 6MM WIDE SP CL TB	50	EA	28.20	A
	JX2.5/10	6 mm WIDE MARKER BLANK	10	EA	73.00	A
	CA509/K5WHT	CA509/K6-P PRINTED MARKERS WHT	1	PKT	81.50	B
	CA509/K5WP	CA509/K5-P PRINTED MARKERS WHT	1	PKT	93.10	B

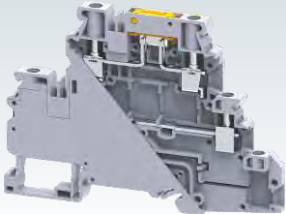
HIGH PERFORMANCE CY SERIES SCREW CLAMP TERMINAL BLOCKS




Wire Range : 0.2 - 4.0 mm²
 Current (A) : 28 A
 Voltage (V) : 1000 V
 Dimensions Width (Thickness) x Length : 6 x 58.8 mm
 Height with Din 35 x 7.5 mm Rail : 51.5 mm



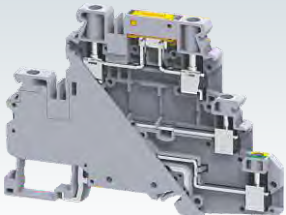
	Part #	Description	Std. Pack	UOM	List Price in	Group
TERMINAL BLOCK	CYK4	4 mm ² 2 WIRE KNIFE DISCON SCREW CL TB	50	EA	46.70	A
	CYK4BU	4 mm ² 2 WIRE KNIFE DISCON SCREW CL TB BLUE	50	EA	51.30	A
ACCESSORIES	JX4/2	2 POLE SHRT LNK FR 6MM WIDE SP CL TB	100	EA	16.20	A
	JX4/3	3 POLE SHRT LNK FR 6MM WIDE SP CL TB	50	EA	27.80	A
	JX4/4	4 POLE SHRT LNK FR 6MM WIDE SP CL TB	50	EA	41.80	A
	JX4/10	10 POLE SHRT LNK FR 6MM WIDE SP CL TB	10	EA	97.50	A
	CA509/K6WHT	6 mm WIDE MARKER BLANK	1	PKT	81.50	B
	CA509/K6WP	CA509/K6-P PRINTED MARKERS WHT	1	PKT	93.10	B




Wire Range : 0.2 - 4.0 mm²
 Current (A) : 28 A / 32 A
 Voltage (V) : 500 V
 Dimensions Width (Thickness) x Length : 6 x 94.5 mm
 Height with Din 35 x 7.5 mm Rail : 67.6 mm



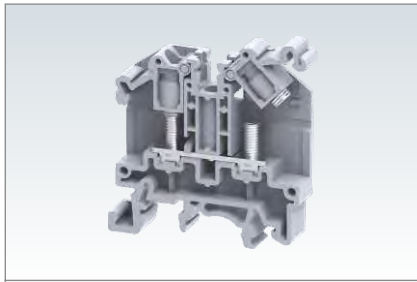
	Part #	Description	Std. Pack	UOM	List Price in	Group
TERMINAL BLOCK	CYDLK4	4mm ² 2 LEVEL KNIFE DISCON SCREW CL TB	50	EA	136.00	A
	CYDLK4BU	4mm ² 2 LEVEL KNIFE DISCON SCREW CL TB BLU	50	EA	149.60	A
ACCESSORIES	JX4/2	2 POLE SHRT LNK FR 6MM WIDE SP CL TB	100	EA	16.20	A
	JX4/3	3 POLE SHRT LNK FR 6MM WIDE SP CL TB	50	EA	27.80	A
	JX4/4	4 POLE SHRT LNK FR 6MM WIDE SP CL TB	50	EA	41.80	A
	JX4/10	10 POLE SHRT LNK FR 6MM WIDE SP CL TB	10	EA	97.50	A
	CA509/K6WHT	6 mm WIDE MARKER BLANK	1	PKT	81.50	B
	CA509/K6WP	CA509/K6-P PRINTED MARKERS WHT	1	PKT	93.10	B



Wire Range : 0.2 - 4.0 mm²
 Current (A) : 28 A / 32 A
 Voltage (V) : 500 V
 Dimensions Width (Thickness) x Length : 6 x 94.5 mm
 Height with Din 35 x 7.5 mm Rail : 67.6 mm



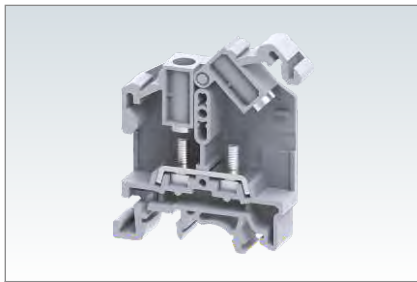
	Part #	Description	Std. Pack	UOM	List Price in	Group
TERMINAL BLOCK	CYDLGK4	4mm ² 2 LEVEL KNIFE DISCON + GND SW CL	50	EA	179.70	A
ACCESSORIES	JX4/2	2 POLE SHRT LNK FR 6MM WIDE SP CL TB	100	EA	16.20	A
	JX4/3	3 POLE SHRT LNK FR 6MM WIDE SP CL TB	50	EA	27.80	A
	JX4/4	4 POLE SHRT LNK FR 6MM WIDE SP CL TB	50	EA	41.80	A
	JX4/10	10 POLE SHRT LNK FR 6MM WIDE SP CL TB	10	EA	97.50	A
	CA509/K6WHT	6 mm WIDE MARKER BLANK	1	PKT	81.50	B
	CA509/K6WP	CA509/K6-P PRINTED MARKERS WHT	1	PKT	93.10	B



Wire Range : 1.5 - 6.0 mm²
 Current (A) : 41 A
 Voltage (V) : 1000 V
 Dimensions Width (Thickness) x Length : 9 x 47 mm
 Height with Din 35 x 7.5 mm Rail : 47.25 mm



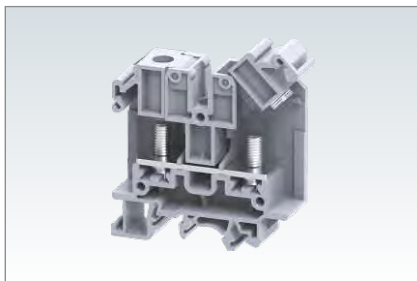
	Part #	Description	Std. Pack	UOM	List Price in	Group
TERMINAL BLOCK	STH3	6 mm ² M3 CAPTIVE NUT STUD TYPE TERMINAL	100	EA	39.90	B
	STH3BU	6 mm ² M3 CAPTIVE NUT STUD TYPE TB BLUE	100	EA	43.80	B
	STH3BK	6 mm ² M3 CAPTIVE NUT STUD TYPE TB BLACK	100	EA	43.80	B
	STH3R	6 mm ² M3 CAPTIVE NUT STUD TYPE TB RED	100	EA	43.80	B
	STH3Y	6 mm ² M3 CAPTIVE NUT STUD TYPE TB YELLOW	100	EA	43.80	B
	STH3GN	6 mm ² M3 SCREW BARRIER TYPE TERMINAL GREEN	100	EA	43.80	B
ACCESSORIES	EPSTH3	END PLATE FOR STH3	50	EA	9.10	B
	CA773/2	2P PRE ASSEM SHRT LINK FOR 9mm WIDE TB	100	EA	16.70	B
	CA773/3	3P PRE ASSEM SHRT LINK FOR 9mm WIDE TB	50	EA	25.10	B
	CA773/4	4P PRE ASSEM SHRT LINK FOR 9mm WIDE TB	50	EA	33.40	B
	CA773/10	10P PRE ASSEM SHRT LINK FOR 9mm WIDE TB	10	EA	83.50	B
	CA509/K8WHT	8 mm WIDE MARKER BLANK	1	PKT	93.10	B
	CA509/K8WP	8 mm WIDE MARKER PRINTED	1	PKT	106.30	B



Wire Range : 1.5 - 6.0 mm²
 Current (A) : 41 A
 Voltage (V) : 1000 V
 Dimensions Width (Thickness) x Length : 11 x 46 mm
 Height with Din 35 x 7.5 mm Rail : 52.2 mm



	Part #	Description	Std. Pack	UOM	List Price in	Group
TERMINAL BLOCK	STH4	6 mm ² M4 CAPTIVE NUT STUD TYPE TERMINAL	50	EA	48.30	B
	STH4BU	6 mm ² M4 CAPTIVE NUT STUD TYPE TB BLUE	50	EA	53.10	B
	STH4BK	6 mm ² M4 CAPTIVE NUT STUD TYPE TB BLACK	50	EA	53.10	B
	STH4R	6 mm ² M4 CAPTIVE NUT STUD TYPE TB RED	50	EA	53.10	B
	STH4Y	6 mm ² M4 CAPTIVE NUT STUD TYPE TB YELLOW	50	EA	53.10	B
	STH4GN	6 mm ² M4 SCREW BARRIER TYPE TERMINAL GREEN	50	EA	53.10	B
	STH4TP	6 mm ² M4 SOCKET NUT STUD TYPE TB	50	EA	55.60	B
ACCESSORIES	EPSTH4	END PLATE FOR STH4	50	EA	9.70	B
	CA509/K10WHT	10 mm WIDE MARKER BLANK	1	PKT	101.50	B
	CA509/K10WP	10 mm WIDE MARKER PRINTED	1	PKT	114.80	B

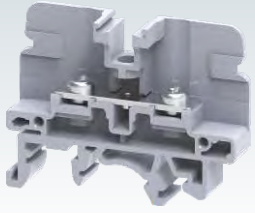


Wire Range : 1.5 - 35.0 mm²
 Current (A) : 125 A
 Voltage (V) : 1000 V
 Dimensions Width (Thickness) x Length : 18 x 63.5 mm
 Height with Din 35 x 7.5 mm Rail : 63.1 mm






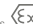





	Part #	Description	Std. Pack	UOM	List Price in	Group
TERMINAL BLOCK	STH6	35 mm ² M6 CAPTIVE NUT STUD TYPE TB	50	EA	112.00	B
	STH6BU	35 mm ² M6 CAPTIVE NUT STUD TYPE TB BLU	50	EA	123.20	B
	STH6BK	35 mm ² M6 CAPTIVE NUT STUD TYPE TB BLK	50	EA	123.20	B
	STH6R	35 mm ² M6 CAPTIVE NUT STUD TYPE TB RED	50	EA	123.20	B
	STH6Y	35 mm ² M6 CAPTIVE NUT STUD TYPE TB YLW	50	EA	123.20	B
	STH6GN	35 mm ² M6 CAPTIVE NUT STUD TYPE TB GRN	50	EA	123.20	B
ACCESSORIES	EPSTH6	END PLATE FOR STH6	50	EA	13.00	B
	CA774/2	2P PRE ASSEM SHRT LINK FOR 18mm WIDE TB	100	EA	25.10	B
	CA774/3	3P PRE ASSEM SHRT LINK FOR 18mm WIDE TB	50	EA	37.70	B
	CA774/4	4P PRE ASSEM SHRT LINK FOR 18mm WIDE TB	50	EA	50.20	B
	CA509/K16WHT	16 mm WIDE MARKER BLANK	1	PKT	119.60	B
	CA509/K16WP	16 mm WIDE MARKER PRINTED	1	PKT	134.60	B

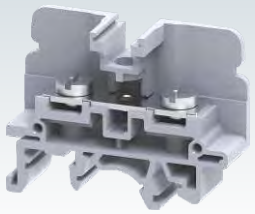
STUD & BOLT TYPE TERMINAL BLOCKS








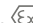



Wire Range : 0.5 - 6.0 mm²
 Current (A) : 41 A
 Voltage (V) : 1000 V
 Dimensions Width (Thickness) x Length : 9 x 49 mm
 Height with Din 35 x 7.5 mm Rail : 38 mm

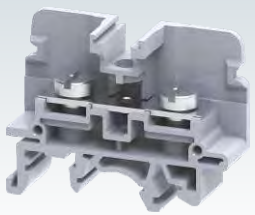
	Part #	Description	Std. Pack	UOM	List Price in	Group
TERMINAL BLOCK	CBS3U	6 mm ² M3 SCREW BARRIER TYPE TERMINAL	100	EA	23.40	B
	CBS3UBU	6 mm ² M3 SCREW BARRIER TYPE TERMINAL BLU	100	EA	25.70	B
	CBS3UBK	6 mm ² M3 SCREW BARRIER TYPE TERMINAL BLK	100	EA	25.70	B
	CBS3UR	6 mm ² M3 SCREW BARRIER TYPE TERMINAL RED	100	EA	25.70	B
	CBS3UY	6 mm ² M3 SCREW BARRIER TYPE TERMINAL YLW	100	EA	25.70	B
	CBS3UGN	6 mm ² M3 SCREW BARRIER TYPE TERMINAL GRN	100	EA	25.70	B
ACCESSORIES	EPCBS3U	END PLATE FOR CBS & CSB SERIES TB	50	EA	9.10	B
	CA728/2	2P PRE ASSEM SHRT LINK FOR 9mm WIDE TB	50	EA	15.20	B
	CA728/3	3P PRE ASSEM SHRT LINK FOR 9mm WIDE TB	50	EA	22.70	B
	CA728/4	4P PRE ASSEM SHRT LINK FOR 9mm WIDE TB	50	EA	30.10	B
	CA728/10	10P PRE ASSEM SHRT LINK FOR 9mm WIDE TB	10	EA	75.20	B
	CA509/K9WHT	9 mm WIDE MARKER BLANK	1	PKT	93.10	B
	CA509/K9WP	9 mm WIDE MARKER PRINTED	1	PKT	106.30	B








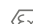



Wire Range : 1.5 - 10.0 mm²
 Current (A) : 57 A
 Voltage (V) : 1000 V
 Dimensions Width (Thickness) x Length : 13 x 49 mm
 Height with Din 35 x 7.5 mm Rail : 38 mm

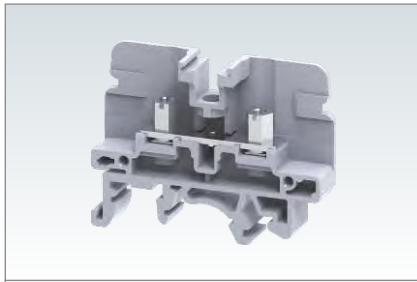
	Part #	Description	Std. Pack	UOM	List Price in	Group
TERMINAL BLOCK	CBS4U	10 mm ² M4 SCREW BARRIER TYPE TERMINAL	100	EA	26.50	B
	CBS4UBU	10 mm ² M4 SCREW BARRIER TYPE TB BLUE	100	EA	29.10	B
	CBS4UBK	10 mm ² M4 SCREW BARRIER TYPE TB BLACK	100	EA	29.10	B
	CBS4UR	10 mm ² M4 SCREW BARRIER TYPE TB RED	100	EA	29.10	B
	CBS4UY	10 mm ² M4 SCREW BARRIER TYPE TB YELLOW	100	EA	29.10	B
	CBS4UGN	10 mm ² M4 SCREW BARRIER TYPE TB GREEN	50	EA	29.10	B
ACCESSORIES	EPCBS3U	END PLATE FOR CBS & CSB SERIES TB	50	EA	9.10	B
	CA772/2	2P PRE ASSEM SHRT LINK FOR 13mm WIDE TB	100	EA	19.30	B
	CA772/3	3P PRE ASSEM SHRT LINK FOR 13mm WIDE TB	50	EA	28.90	B
	CA772/4	4P PRE ASSEM SHRT LINK FOR 13mm WIDE TB	50	EA	38.50	B
	CA772/10	10P PRE ASSEM SHRT LINK FOR 13mm WIDE TB	10	EA	96.10	B
	CA509/K9WHT	9 mm WIDE MARKER BLANK	1	PKT	93.10	B
	CA509/K9WP	9 mm WIDE MARKER PRINTED	1	PKT	106.30	B



Wire Range : 1.5 - 16.0 mm²
 Current (A) : 76 A
 Voltage (V) : 1000 V
 Dimensions Width (Thickness) x Length : 13 x 49 mm
 Height with Din 35 x 7.5 mm Rail : 38 mm

	Part #	Description	Std. Pack	UOM	List Price in	Group
TERMINAL BLOCK	CBS5U	16 mm ² M4 SCREW BARRIER TYPE TERMINAL	100	EA	32.40	B
	CBS5UBU	16 mm ² M4 SCREW BARRIER TYPE TB BLUE	100	EA	35.60	B
	CBS5UBK	16 mm ² M4 SCREW BARRIER TYPE TB BLACK	100	EA	35.60	B
	CBS5UR	16 mm ² M4 SCREW BARRIER TYPE TB RED	100	EA	35.60	B
	CBS5UY	16 mm ² M4 SCREW BARRIER TYPE TB YELLOW	100	EA	35.60	B
	CBS5UGN	16 mm ² M4 SCREW BARRIER TYPE TB GREEN	100	EA	35.60	B
ACCESSORIES	EPCBS3U	END PLATE FOR CBS & CSB SERIES TB	50	EA	9.10	B
	CA772/2	2P PRE ASSEM SHRT LINK FOR 13mm WIDE TB	100	EA	19.30	B
	CA772/3	3P PRE ASSEM SHRT LINK FOR 13mm WIDE TB	50	EA	28.90	B
	CA772/4	4P PRE ASSEM SHRT LINK FOR 13mm WIDE TB	50	EA	38.50	B
	CA772/10	10P PRE ASSEM SHRT LINK FOR 13mm WIDE TB	10	EA	96.10	B
	CA509/K9WHT	9 mm WIDE MARKER BLANK	1	PKT	93.10	B
	CA509/K9WP	9 mm WIDE MARKER PRINTED	1	PKT	106.30	B



Wire Range : 0.5 - 6.0 mm²
 Current (A) : 41 A
 Voltage (V) : 1000 V
 Dimensions Width (Thickness) x Length : 9 x 49 mm
 Height with Din 35 x 7.5 mm Rail : 38 mm



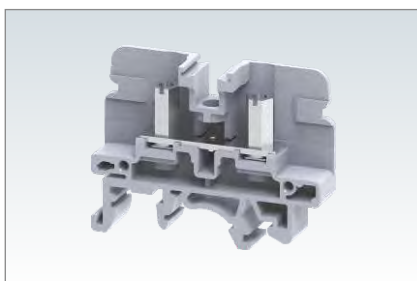
	Part #	Description	Std. Pack	UOM	List Price in	Group
TERMINAL BLOCK	CSB3/N3U	6mm ² M3 STUD TYP SCREW/NUT DRIVER OPERTD	100	EA	30.60	B
	CSB3/N3UBU	6mm ² M3 STUD SCREW/NUT DRIVER OPERTD BLU	100	EA	33.60	B
	CSB3/N3UBK	6mm ² M3 STUD SCREW/NUT DRIVER OPERTD BLK	100	EA	33.60	B
	CSB3/N3UR	6mm ² M3 STUD SCREW/NUT DRIVER OPERTD RED	100	EA	33.60	B
	CSB3/N3UY	6mm ² M3 STUD SCREW/NUT DRIVER OPERTD YLW	100	EA	33.60	B
	CSB3/N3UGN	6mm ² M3 STUD SCREW/NUT DRIVER OPERTD GRN	100	EA	33.60	B
ACCESSORIES	EPCBS3U	END PLATE FOR CBS & CSB SERIES TB	50	EA	9.10	B
	CA728/2	2P PRE ASSEM SHRT LINK FOR 9mm WIDE TB	50	EA	15.20	B
	CA728/3	3P PRE ASSEM SHRT LINK FOR 9mm WIDE TB	50	EA	22.70	B
	CA728/4	4P PRE ASSEM SHRT LINK FOR 9mm WIDE TB	50	EA	30.10	B
	CA728/10	10P PRE ASSEM SHRT LINK FOR 9mm WIDE TB	10	EA	75.20	B
	CA509/K9WHT	9 mm WIDE MARKER BLANK	1	PKT	93.10	B
	CA509/K9WP	9 mm WIDE MARKER PRINTED	1	PKT	106.30	B



Wire Range : 0.5 - 6.0 mm²
 Current (A) : 41 A
 Voltage (V) : 1000 V
 Dimensions Width (Thickness) x Length : 9 x 49 mm
 Height with Din 35 x 7.5 mm Rail : 38 mm



	Part #	Description	Std. Pack	UOM	List Price in	Group
TERMINAL BLOCK	CSB3/N3USH	6mm ² M3 SCREW/NUT DRVR OPRTD SHRD TB	100	EA	38.70	B
ACCESSORIES	EPCBS3U	END PLATE FOR CBS & CSB SERIES TB	50	EA	9.10	B
	CA728/2	2P PRE ASSEM SHRT LINK FOR 9mm WIDE TB	50	EA	15.20	B
	CA728/3	3P PRE ASSEM SHRT LINK FOR 9mm WIDE TB	50	EA	22.70	B
	CA728/4	4P PRE ASSEM SHRT LINK FOR 9mm WIDE TB	50	EA	30.10	B
	CA728/10	10P PRE ASSEM SHRT LINK FOR 9mm WIDE TB	10	EA	75.20	B
	CA509/K9WHT	9 mm WIDE MARKER BLANK	1	PKT	93.10	B
	CA509/K9WP	9 mm WIDE MARKER PRINTED	1	PKT	106.30	B

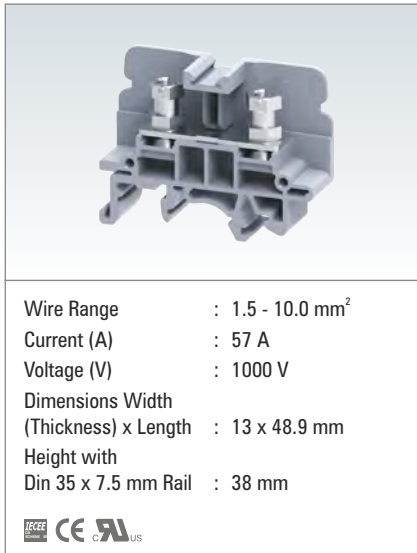


Wire Range : 0.5 - 6.0 mm²
 Current (A) : 41 A
 Voltage (V) : 800 V
 Dimensions Width (Thickness) x Length : 9 x 49 mm
 Height with Din 35 x 7.5 mm Rail : 38 mm

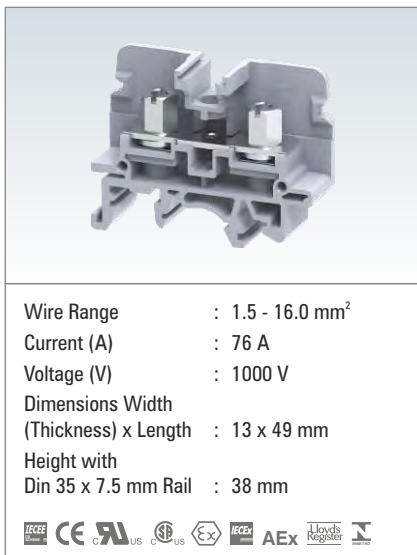


	Part #	Description	Std. Pack	UOM	List Price in	Group
TERMINAL BLOCK	CSB3/N3UL	6mm ² M3 STUD TYP SCREW/NUT DRIVER OPERTD	100	EA	31.50	B
	CSB3/N3ULBU	6mm ² M3 STUD SCREW/NUT DRIVER OPERTD BLU	100	EA	34.60	B
	CSB3/N3ULBK	6mm ² M3 STUD SCREW/NUT DRIVER OPERTD BLK	100	EA	34.60	B
	CSB3/N3ULR	6mm ² M3 STUD SCREW/NUT DRIVER OPERTD RED	100	EA	34.60	B
	CSB3/N3ULY	6mm ² M3 STUD SCREW/NUT DRIVER OPERTD YLW	100	EA	34.60	B
	CSB3/N3ULGN	6mm ² M3 STUD SCREW/NUT DRIVER OPERTD GRN	100	EA	34.60	B
ACCESSORIES	EPCBS3U	END PLATE FOR CBS & CSB SERIES TB	50	EA	9.10	B
	CA728/2	2P PRE ASSEM SHRT LINK FOR 9mm WIDE TB	50	EA	15.20	B
	CA728/3	3P PRE ASSEM SHRT LINK FOR 9mm WIDE TB	50	EA	22.70	B
	CA728/4	4P PRE ASSEM SHRT LINK FOR 9mm WIDE TB	50	EA	30.10	B
	CA728/10	10P PRE ASSEM SHRT LINK FOR 9mm WIDE TB	10	EA	75.20	B
	CA509/K9WHT	9 mm WIDE MARKER BLANK	1	PKT	93.10	B

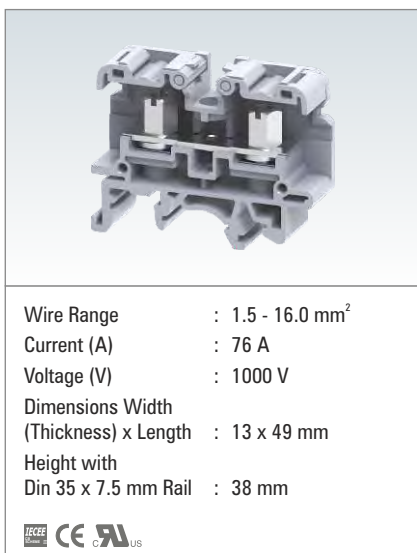
STUD & BOLT TYPE TERMINAL BLOCKS



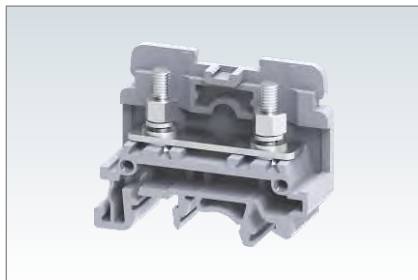
	Part #	Description	Std. Pack	UOM	List Price in	Group
TERMINAL BLOCK	CSB4/N4UN	10mm ² M4 STUD SCREW/NUT DRIVER OPERTD (CSB4/N4UN)	100	EA	41.30	B
ACCESSORIES	EPCBS3U	END PLATE FOR CBS & CSB SERIES TB	50	EA	9.10	B
	CA772/2	2P PRE ASSEM SHRT LINK FR 13mm WD TB	100	EA	19.30	B
	CA772/4	4P PRE ASSEM SHRT LINK FR 13mm WD TB	50	EA	38.50	B
	CA772/10	10P PRE ASSEM SHRT LINK FR 13mm WIDE TB	10	EA	96.10	B
	CA514/2-2	2P INS REM SHORTING LNK FR 13mm WIDE TB	100	EA	24.60	B
	CA514/2-4	4P INS REM SHORTING LNK FR 13mm WIDE TB	50	EA	49.10	B
	CA509/K10WHT	10 mm WIDE MARKER BLANK	1	PKT	101.50	B
	CA509/K10WP	10 mm WIDE MARKER PRINTED	1	PKT	114.80	B



	Part #	Description	Std. Pack	UOM	List Price in	Group
TERMINAL BLOCK	CSB5/N5U	16mm ² M5 STUD SCREW/NUT DRIVER OPERTD	100	EA	46.50	B
	CSB5/N5UBU	16mm ² M5 STUD SW/NUT DRIVER OPERTD BLUE	100	EA	51.10	B
	CSB5/N5UBK	16mm ² M5 STUD SW/NUT DRIVER OPERTD BLK	100	EA	51.10	B
	CSB5/N5UR	16mm ² M5 STUD SW/NUT DRIVER OPERTD RED	100	EA	51.10	B
	CSB5/N5UY	16mm ² M5 STUD SW/NUT DRIVER OPERTD YLW	100	EA	51.10	B
	CSB5/N5UGN	16mm ² M5 STUD SW/NUT DRIVER OPERTD GRN	100	EA	51.10	B
ACCESSORIES	EPCBS3U	END PLATE FOR CBS & CSB SERIES TB	50	EA	9.10	B
	CA772/2	2P PRE ASSEM SHRT LINK FOR 13mm WIDE TB	100	EA	19.30	B
	CA772/3	3P PRE ASSEM SHRT LINK FOR 13mm WIDE TB	50	EA	28.90	B
	CA772/4	4P PRE ASSEM SHRT LINK FOR 13mm WIDE TB	50	EA	38.50	B
	CA772/10	10P PRE ASSEM SHRT LINK FOR 13mm WIDE TB	10	EA	96.10	B
	CA509/K9WHT	9 mm WIDE MARKER BLANK	1	PKT	93.10	B
	CA509/K9WP	9 mm WIDE MARKER PRINTED	1	PKT	106.30	B



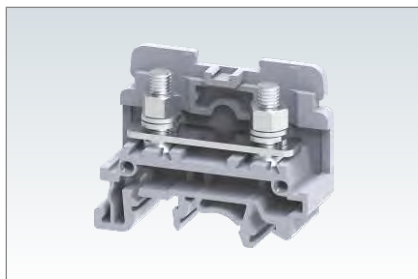
	Part #	Description	Std. Pack	UOM	List Price in	Group
TERMINAL BLOCK	CSB5/N5USH	16mm ² M3 SCREW/NUT DRVR OPRTD SHRD TB	100	EA	51.00	B
ACCESSORIES	EPCBS3U	END PLATE FOR CBS & CSB SERIES TB	50	EA	9.10	B
	CA772/2	2P PRE ASSEM SHRT LINK FOR 13mm WIDE TB	100	EA	19.30	B
	CA772/3	3P PRE ASSEM SHRT LINK FOR 13mm WIDE TB	50	EA	28.90	B
	CA772/4	4P PRE ASSEM SHRT LINK FOR 13mm WIDE TB	50	EA	38.50	B
	CA772/10	10P PRE ASSEM SHRT LINK FOR 13mm WIDE TB	10	EA	96.10	B
	CA509/K9WHT	9 mm WIDE MARKER BLANK	1	PKT	93.10	B
	CA509/K9WP	9 mm WIDE MARKER PRINTED	1	PKT	106.30	B



Wire Range : 1.5 - 10.0 mm²
 Current (A) : 57 A
 Voltage (V) : 1000 V
 Dimensions Width (Thickness) x Length : 17 x 50 mm
 Height with Din 35 x 7.5 mm Rail : 40.7 mm



	Part #	Description	Std. Pack	UOM	List Price in	Group
TERMINAL BLOCK	CSTSN4U	10mm ² M4 STUD NUT DRIVER OPERATED TB	100	EA	42.00	B
	CSTSN4UBU	10mm ² M4 STUD NUT DRIVER OPTD TB BLUE	100	EA	46.20	B
	CSTSN4UBK	10mm ² M4 STUD NUT DRIVER OPTD TB BLACK	100	EA	46.20	B
	CSTSN4UR	10mm ² M4 STUD NUT DRIVER OPTD TB RED	100	EA	46.20	B
	CSTSN4UY	10mm ² M4 STUD NUT DRIVER OPTD TB YLW	100	EA	46.20	B
	CSTSN4UGN	10mm ² M4 STUD NUT DRIVER OPTD TB GREEN	100	EA	46.20	B
ACCESSORIES	EPCSTSU	END PLATE FOR CSTSN4/N5U	50	EA	9.80	B
	CA509/K2B4WHT	6 mm WIDE MARKER BLANK	1	PKT	91.50	B
	CA509/K2B4WHP	6 mm WIDE MARKER PRINTED	1	PKT	103.10	B



Wire Range : 1.5 - 16.0 mm²
 Current (A) : 76 A
 Voltage (V) : 1000 V
 Dimensions Width (Thickness) x Length : 17 x 50 mm
 Height with Din 35 x 7.5 mm Rail : 40.7 mm



	Part #	Description	Std. Pack	UOM	List Price in	Group
TERMINAL BLOCK	CSTSN5U	16mm ² M5 STUD NUT DRIVER OPERATED TB	100	EA	46.20	B
	CSTSN5UBU	16mm ² M5 STUD NUT DRIVER OPTD TB BLUE	100	EA	50.80	B
	CSTSN5UBK	16mm ² M5 STUD NUT DRIVER OPTD TB BLACK	100	EA	50.80	B
	CSTSN5UR	16mm ² M5 STUD NUT DRIVER OPTD TB RED	100	EA	50.80	B
	CSTSN5UY	16mm ² M5 STUD NUT DRIVER OPTD TB YLW	100	EA	50.80	B
	CSTSN5UGN	16mm ² M5 STUD NUT DRIVER OPTD TB GREEN	100	EA	50.80	B
ACCESSORIES	EPCSTSU	END PLATE FOR CSTSN4/N5U	50	EA	9.80	B
	CA509/K2B4WHT	6 mm WIDE MARKER BLANK	1	PKT	91.50	B
	CA509/K2B4WHP	6 mm WIDE MARKER PRINTED	1	PKT	103.10	B



Wire Range : 1.5 - 35.0 mm²
 Current (A) : 125 A
 Voltage (V) : 1000 V
 Dimensions Width (Thickness) x Length : 17 x 50 mm
 Height with Din 35 x 7.5 mm Rail : 40.7 mm



	Part #	Description	Std. Pack	UOM	List Price in	Group
TERMINAL BLOCK	CSTSN6U	35mm ² M6 STUD NUT DRIVER OPERATED TB	100	EA	66.30	B
	CSTSN6UBU	35mm ² M6 STUD NUT DRIVER OPTD TB BLUE	100	EA	72.90	B
	CSTSN6UBK	35mm ² M6 STUD NUT DRIVER OPTD TB BLACK	100	EA	72.90	B
	CSTSN6UR	35mm ² M6 STUD NUT DRIVER OPTD TB RED	100	EA	72.90	B
	CSTSN6UY	35mm ² M6 STUD NUT DRIVER OPTD TB YLW	100	EA	72.90	B
	CSTSN6UGN	35mm ² M6 STUD NUT DRIVER OPTD TB GREEN	100	EA	72.90	B
ACCESSORIES	EPCSTSU	END PLATE FOR CSTSN4/N5U	50	EA	9.80	B
	CA509/K2B4WHT	6 mm WIDE MARKER BLANK	1	PKT	91.50	B
	CA509/K2B4WHP	6 mm WIDE MARKER PRINTED	1	PKT	103.10	B

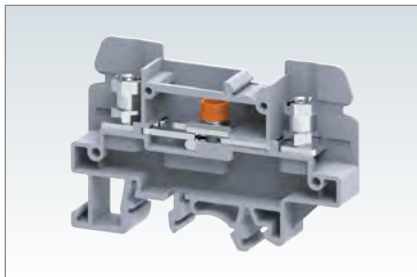
STUD & BOLT TYPE TERMINAL BLOCKS



Wire Range : 1.5 - 35.0 mm²
 Current (A) : 125 A
 Voltage (V) : 1000 V
 Dimensions Width (Thickness) x Length : 17 x 50 mm
 Height with Din 35 x 7.5 mm Rail : 40.7 mm



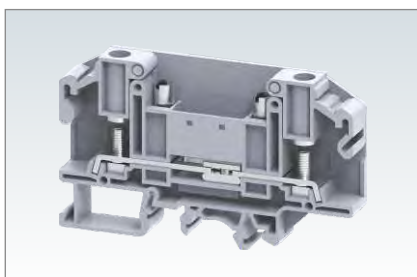
	Part #	Description	Std. Pack	UOM	List Price in	Group
TERMINAL BLOCK	CSTS6USH	16mm ² M3 NUT DRVR OPRTD SHRD TB	100	EA	72.70	B
ACCESSORIES	EPCSTSU	END PLATE FOR CSTS4/N5U	50	EA	9.80	B
	CA509/K2B4WHT	6 mm WIDE MARKER BLANK	1	PKT	91.50	B
	CA509/K2B4WP	6 mm WIDE MARKER PRINTED	1	PKT	103.10	B



Wire Range : 1.5 - 6.0 mm²
 Current (A) : 41 A
 Voltage (V) : 1000 V
 Dimensions Width (Thickness) x Length : 10.95 x 67.2 mm
 Height with Din 35 x 7.5 mm Rail : 44.7 mm



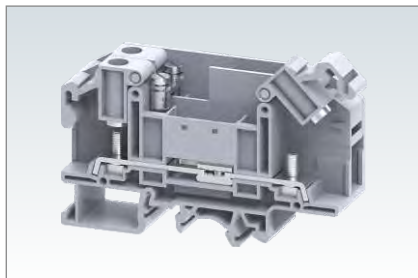
	Part #	Description	Std. Pack	UOM	List Price in	Group
TERMINAL BLOCK	CBDT4UN	6 mm ² M4 BR STUD SLIDE LINK DISCONNECT TB	50	EA	63.40	B
	CBDT4UNS	6 mm ² M4 BR STUD SLIDE LINK DISCONNECT TB	50	EA	60.00	B
ACCESSORIES	EPCBDT4UN	END PLATE FOR CBDT4UN	50	EA	13.70	B
	CA512/13-2	2P REM SHORTING LINK FOR 11mm WIDE TB	100	EA	21.00	B
	CA512/13-3	3P REM SHORTING LINK FOR 11mm WIDE TB	50	EA	31.40	B
	CA512/13-4	4P REM SHORTING LINK FOR 11mm WIDE TB	50	EA	41.80	B
	CA509/K10WHT	10 mm WIDE MARKER BLANK	1	PKT	101.50	B
	CA509/K10WP	10 mm WIDE MARKER PRINTED	1	PKT	114.80	B



Wire Range : 1.5 - 6.0 mm²
 Current (A) : 41 A
 Voltage (V) : 1000 V
 Dimensions Width (Thickness) x Length : 11 x 86 mm
 Height with Din 35 x 7.5 mm Rail : 52.2 mm



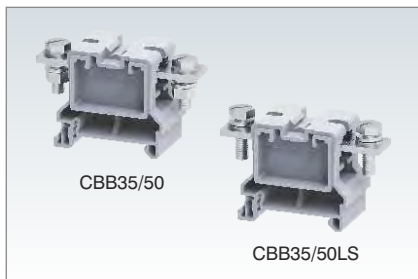
	Part #	Description	Std. Pack	UOM	List Price in	Group
TERMINAL BLOCK	STH4DT	6 mm ² DISCONNECT CAPTIVE NUT STUD TYP TB	50	EA	77.80	B
	STH4DTBU	6 mm ² DISCON CAPTIVE NUT STUD TYP TB BLU	50	EA	85.50	B
	STH4DTBK	6 mm ² DISCON CAPTIVE NUT STUD TYP TB BLK	50	EA	85.50	B
	STH4DTR	6 mm ² DISCON CAPTIVE NUT STUD TYP TB RED	50	EA	85.50	B
	STH4DTY	6 mm ² DISCON CAPTIVE NUT STUD TYP TB YLW	50	EA	85.50	B
	STH4DTGN	6 mm ² M4 CAPTIVE NUT STUD TYPE TB GREEN	50	EA	85.50	B
ACCESSORIES	EPSTH4DT	END PLATE FOR STH4DT	50	EA	14.40	B
	CA509/K10WHT	10 mm WIDE MARKER BLANK	1	PKT	101.50	B
	CA509/K10WP	10 mm WIDE MARKER PRINTED	1	PKT	114.80	B



Wire Range : 1.5 - 6.0 mm²
 Current (A) : 34 A
 Voltage (V) : 1000 V
 Dimensions Width (Thickness) x Length : 22 x 86 mm
 Height with Din 35 x 7.5 mm Rail : 52.2 mm



	Part #	Description	Std. Pack	UOM	List Price in	Group
TERMINAL BLOCK	STH4DTSH	6 mm ² DISCON CAPTIVE NUT INT SHRTD TB	24	EA	162.90	B
ACCESSORIES	EPSTH4DT	END PLATE FOR STH4DT	50	EA	14.40	B
	CA509/K10WHT	10 mm WIDE MARKER BLANK	1	PKT	101.50	B
	CA509/K10WP	10 mm WIDE MARKER PRINTED	1	PKT	114.80	B



Wire Range : 6.0 - 50.0 mm²
 Current (A) : 150 A
 Voltage (V) : 1000 V
 Dimensions Width (Thickness) x Length : 32 x 75 mm
 Height with Din 35 x 7.5 mm Rail : 47.5 mm



	Part #	Description	Std. Pack	UOM	List Price in	Group
TERMINAL BLOCK	CBB35/50	50 mm ² FD THRU BOLT/NUT TERMINAL BLOCK	10	EA	142.00	B
	CBB35/50LS	50 mm ² FEED THRU SLOTTED BOLT TERMINAL	10	EA	142.00	B
	CBB35/50BU	50 mm ² FEED THRU BOLT/NUT TB BLUE	10	EA	156.20	B
	CBB35/50BK	50 mm ² FEED THRU BOLT/NUT TB BLACK	10	EA	156.20	B
	CBB35/50R	50 mm ² FEED THRU BOLT/NUT TB RED	10	EA	156.20	B
	CBB35/50Y	50 mm ² FEED THRU BOLT/NUT TB YELLOW	10	EA	156.20	B
	CBB35/50GN	50 mm ² FEED THRU BOLT/NUT TB GREEN	10	EA	156.20	B
ACCESSORIES	PPCBB	PARTITION PLATE FOR CBB35/50 /CBB70	10	EA	31.60	B
	CA509/K12WHT	12 mm WIDE MARKER BLANK	1	PKT	119.60	B
	CA509/K12WP	12 mm WIDE MARKER PRINTED	1	PKT	132.90	B




Wire Range : 6.0 - 50.0 mm²
 Current (A) : 150 A
 Voltage (V) : 1000 V
 Dimensions Width (Thickness) x Length : 32 x 75 mm
 Height with Din 35 x 7.5 mm Rail : 47.5 mm




	Part #	Description	Std. Pack	UOM	List Price in	Group
TERMINAL BLOCK	CBB35/50E	50 mm ² FD THRU BOLT/NUT TERMINAL BLOCK	10	EA	138.00	B
	CBB35/50LSE	50 mm ² FEED THRU SLOTTED BOLT TERMINAL	10	EA	138.00	B
ACCESSORIES	PPCBB	PARTITION PLATE FOR CBB35/50 /CBB70	10	EA	31.60	B
	CA509/K12WHT	12 mm WIDE MARKER BLANK	1	PKT	119.60	B
	CA509/K12WP	12 mm WIDE MARKER PRINTED	1	PKT	132.90	B

STUD & BOLT TYPE TERMINAL BLOCKS




CBB70 **CBB70LS**

Wire Range : 6.0 - 70.0 mm²
 Current (A) : 192 A
 Voltage (V) : 1000 V
 Dimensions Width (Thickness) x Length : 38 x 92 mm
 Height with Din 35 x 7.5 mm Rail : 47.3 mm




	Part #	Description	Std. Pack	UOM	List Price in	Group
TERMINAL BLOCK	CBB70	70 mm ² FD THRU BOLT/NUT TERMINAL BLOCK	10	EA	285.00	B
	CBB70LS	70 mm ² FEED THRU SLOTTED BOLT TERMINAL	10	EA	285.00	B
	CBB70BU	70 mm ² FEED THRU BOLT/NUT TB BLUE	10	EA	313.50	B
	CBB70BK	70 mm ² FEED THRU BOLT/NUT TB BLACK	10	EA	313.50	B
	CBB70R	70 mm ² FEED THRU BOLT/NUT TB RED	10	EA	313.50	B
	CBB70Y	70 mm ² FEED THRU BOLT/NUT TB YELLOW	10	EA	313.50	B
	CBB70GN	70 mm ² FEED THRU BOLT/NUT TB GREEN	10	EA	313.50	B
ACCESSORIES	PPCBB	PARTITION PLATE FOR CBB35/50 /CBB70	10	EA	31.60	B
	CA509/K16WHT	16 mm WIDE MARKER BLANK	1	PKT	119.60	B
	CA509/K16WP	16 mm WIDE MARKER PRINTED	1	PKT	134.60	B




CBB70E **CBB70LSE**

Wire Range : 6.0 - 70.0 mm²
 Current (A) : 192 A
 Voltage (V) : 1000 V
 Dimensions Width (Thickness) x Length : 38 x 92 mm
 Height with Din 35 x 7.5 mm Rail : 47.3 mm




	Part #	Description	Std. Pack	UOM	List Price in	Group
TERMINAL BLOCK	CBB70E	70 mm ² FD THRU BOLT/NUT TERMINAL BLOCK	10	EA	200.00	B
	CBB70LSE	70 mm ² FEED THRU SLOTTED BOLT TERMINAL	10	EA	200.00	B
ACCESSORIES	PPCBB	PARTITION PLATE FOR CBB35/50 /CBB70	10	EA	31.60	B
	CA509/K16WHT	16 mm WIDE MARKER BLANK	1	PKT	119.60	B
	CA509/K16WP	16 mm WIDE MARKER PRINTED	1	PKT	134.60	B



CBB95 **CBB95LS**

Wire Range : 16.0 - 95.0 mm²
 Current (A) : 232 A
 Voltage (V) : 1000 V
 Dimensions Width (Thickness) x Length : 38 x 92 mm
 Height with Din 35 x 7.5 mm Rail : 47.3 mm



	Part #	Description	Std. Pack	UOM	List Price in	Group
TERMINAL BLOCK	CBB95	95 mm ² FD THRU BOLT/NUT TERMINAL BLOCK	10	EA	300.00	B
	CBB95LS	95 mm ² FEED THRU SLOTTED BOLT TERMINAL	10	EA	300.00	B
	CBB95BU	95 mm ² FEED THRU BOLT/NUT TB BLUE	10	EA	330.00	B
	CBB95BK	95 mm ² FEED THRU BOLT/NUT TB BLACK	10	EA	330.00	B
	CBB95R	95 mm ² FEED THRU BOLT/NUT TB RED	10	EA	330.00	B
	CBB95Y	95 mm ² FEED THRU BOLT/NUT TB YELLOW	10	EA	330.00	B
	CBB95GN	95 mm ² FEED THRU BOLT/NUT TB GREEN	10	EA		B
ACCESSORIES	PPCBB1	PARTITION PLATE FOR CBB95/120/150/185	10	EA	36.60	B
	CA509/K16WHT	16 mm WIDE MARKER BLANK	1	PKT	119.60	B
	CA509/K16WP	16 mm WIDE MARKER PRINTED	1	PKT	134.60	B




CBB120

CBB120LS

Wire Range : 16.0 - 120.0 mm²
 Current (A) : 269 A
 Voltage (V) : 1000 V
 Dimensions Width (Thickness) x Length : 48 x 100 mm
 Height with Din 35 x 7.5 mm Rail : 47.3 mm




	Part #	Description	Std. Pack	UOM	List Price in	Group
TERMINAL BLOCK	CBB120	120 mm ² FD THRU BOLT/NUT TERMINAL BLOCK	10	EA	398.80	B
	CBB120	120 mm ² FD THRU BOLT/NUT TERMINAL BLOCK	10	EA	418.30	B
	CBB120LS	120 mm ² FEED THRU SLOTTED BOLT TERMINAL	10	EA	418.30	B
	CBB120BU	120 mm ² FEED THRU BOLT/NUT TB BLUE	10	EA	460.10	B
	CBB120BK	120 mm ² FEED THRU BOLT/NUT TB BLACK	10	EA	460.10	B
	CBB120R	120 mm ² FEED THRU BOLT/NUT TB RED	10	EA	460.10	B
	CBB120Y	120 mm ² FEED THRU BOLT/NUT TB YELLOW	10	EA	460.10	B
	CBB120GN	120 mm ² FEED THRU BOLT/NUT TB GREEN	10	EA	460.10	B
ACCESSORIES	PPCBB1	PARTITION PLATE FOR CBB95/120/150/185	10	EA	36.60	B
	CA509/K16WHT	16 mm WIDE MARKER BLANK	1	PKT	119.60	B
	CA509/K16WP	16 mm WIDE MARKER PRINTED	1	PKT	134.60	B




CBB120E

CBB120LSE

Wire Range : 16.0 - 120.0 mm²
 Current (A) : 269 A
 Voltage (V) : 1000 V
 Dimensions Width (Thickness) x Length : 48 x 100 mm
 Height with Din 35 x 7.5 mm Rail : 47.3 mm




	Part #	Description	Std. Pack	UOM	List Price in	Group
TERMINAL BLOCK	CBB120E	120 mm ² FD THRU BOLT/NUT TERMINAL BLOCK	10	EA	315.00	B
	CBB120LSE	120 mm ² FEED THRU SLOTTED BOLT TERMINAL	10	EA	315.00	B
ACCESSORIES	PPCBB1	PARTITION PLATE FOR CBB95/120/150/185	10	EA	36.60	B
	CA509/K16WHT	16 mm WIDE MARKER BLANK	1	PKT	119.60	B
	CA509/K16WP	16 mm WIDE MARKER PRINTED	1	PKT	134.60	B



CBB150


CBB150LS

Wire Range : 16.0 - 150.0 mm²
 Current (A) : 309 A
 Voltage (V) : 1000 V
 Dimensions Width (Thickness) x Length : 48 x 110 mm
 Height with Din 35 x 7.5 mm Rail : 47.3 mm



	Part #	Description	Std. Pack	UOM	List Price in	Group
TERMINAL BLOCK	CBB150	150 mm ² FD THRU BOLT/NUT TERMINAL BLOCK	10	EA	518.50	B
	CBB150LS	150 mm ² FEED THRU SLOTTED BOLT TERMINAL	10	EA	518.50	B
	CBB150BU	150 mm ² FEED THRU BOLT/NUT TB BLUE	10	EA	570.30	B
	CBB150BK	150 mm ² FEED THRU BOLT/NUT TB BLACK	10	EA	570.30	B
	CBB150R	150 mm ² FEED THRU BOLT/NUT TB RED	10	EA	570.30	B
	CBB150Y	150 mm ² FEED THRU BOLT/NUT TB YELLOW	10	EA	570.30	B
	CBB150GN	150 mm ² FEED THRU BOLT/NUT TB GREEN	10	EA		B
ACCESSORIES	PPCBB1	PARTITION PLATE FOR CBB95/120/150/185	10	EA	36.60	B
	CA509/K16WHT	16 mm WIDE MARKER BLANK	1	PKT	119.60	B
	CA509/K16WP	16 mm WIDE MARKER PRINTED	1	PKT	134.60	B

STUD & BOLT TYPE TERMINAL BLOCKS



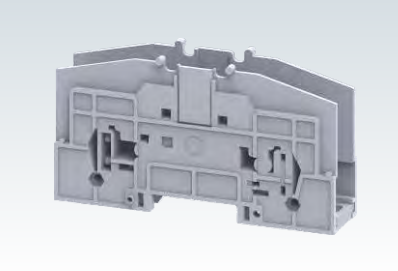
CBB185

CBB185LS

Wire Range : 16.0 - 185.0 mm²
 Current (A) : 353 A
 Voltage (V) : 1000 V
 Dimensions Width (Thickness) x Length : 48 x 110 mm
 Height with Din 35 x 7.5 mm Rail : 47.3 mm

IECEE CE C US C US Lloyds Register

	Part #	Description	Std. Pack	UOM	List Price in	Group
TERMINAL BLOCK	CBB185	185 mm ² FD THRU BOLT/NUT TERMINAL BLOCK	10	EA	650.00	B
	CBB185LS	185 mm ² FEED THRU SLOTTED BOLT TERMINAL	10	EA	650.00	B
	CBB185BU	185 mm ² FEED THRU BOLT/NUT TB BLUE	10	EA	715.00	B
	CBB185BK	185 mm ² FEED THRU BOLT/NUT TB BLACK	10	EA	715.00	B
	CBB185R	185 mm ² FEED THRU BOLT/NUT TB RED	10	EA	715.00	B
	CBB185Y	185 mm ² FEED THRU BOLT/NUT TB YELLOW	10	EA	715.00	B
	CBB185GN	185 mm ² FEED THRU BOLT/NUT TB GREEN	10	EA		B
ACCESSORIES	PPCBB1	PARTITION PLATE FOR CBB95/120/150/185	10	EA	36.60	B
	CA509/K16WHT	16 mm WIDE MARKER BLANK	1	PKT	119.60	B
	CA509/K16WHP	16 mm WIDE MARKER PRINTED	1	PKT	134.60	B

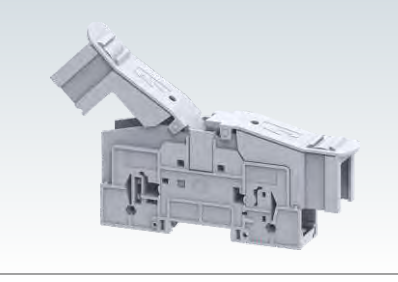


PTB35/50

Wire Range : 1.5 - 50.0 mm²
 Current (A) : 150 A
 Voltage (V) : 1000 V
 Dimensions Width (Thickness) x Length : 25 x 113 mm
 Height with Din 35 x 7.5 mm Rail : 61 mm

IECEE CE C US C US Ex Lloyds Register

	Part #	Description	Std. Pack	UOM	List Price in	Group
TERMINAL BLOCK	PTB35/50	50 mm ² FEED THRU BARRIER TYPE BOLT TB	10	EA	204.00	B
	PTB35/50BU	50 mm ² FEED THRU BARRIER TYP BOLT TB BLU	10	EA	224.40	B
	PTB35/50BK	50 mm ² FEED THRU BARRIER TYP BOLT TB BLK	10	EA	224.40	B
	PTB35/50R	50 mm ² FEED THRU BARRIER TYP BOLT TB RED	10	EA	224.40	B
	PTB35/50Y	50 mm ² FEED THRU BARRIER TYP BOLT TB YLW	10	EA	224.40	B
	PTB35/50GN	50 mm ² FEED THRU BARRIER TYP BOLT TB GRN	10	EA	224.40	B
ACCESSORIES	CA509/K9WHT	9 mm WIDE MARKER BLANK	1	PKT	93.10	B
	CA509/K9WHP	9 mm WIDE MARKER PRINTED	1	PKT	106.30	B
	PSPTB35/50	PROTECTIVE SHROUD FOR PTB35/50	20	EA	18.10	B

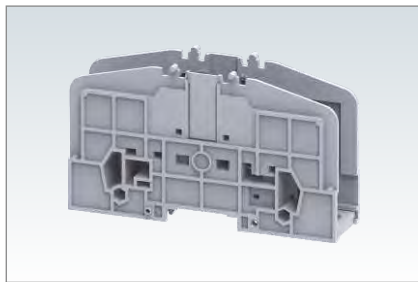


PTB35/50SH

Wire Range : 1.5 - 50.0 mm²
 Current (A) : 150 A
 Voltage (V) : 1000 V
 Dimensions Width (Thickness) x Length : 25 x 169 mm
 Height with Din 35 x 7.5 mm Rail : 66.5 mm

IECEE CE C US C US Ex Lloyds Register

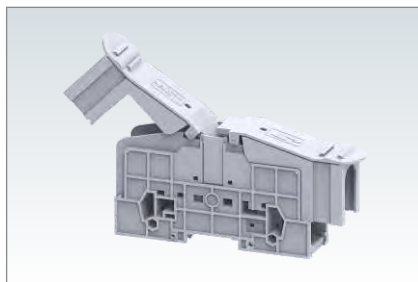
	Part #	Description	Std. Pack	UOM	List Price in	Group
TERMINAL BLOCK	PTB35/50SH	50 mm ² FT BARRIER TYPE SHROUDED BOLT TB	10	EA	230.50	B
	PTB35/50SHBU	50 mm ² BARRIER TYPE SHROUD BOLT TB BLU	10	EA	253.50	B
	PTB35/50SHBK	50 mm ² BARRIER TYPE SHROUD BOLT TB BLK	10	EA	253.50	B
	PTB35/50SHR	50 mm ² BARRIER TYPE SHROUD BOLT TB RED	10	EA	253.50	B
	PTB35/50SHY	50 mm ² BARRIER TYPE SHROUD BOLT TB YLW	10	EA	253.50	B
	PTB35/50SHGN	50 mm ² BARRIER TYPE SHROUD BOLT TB GRN	10	EA	253.50	B
ACCESSORIES	CA509/K9WHT	9 mm WIDE MARKER BLANK	1	PKT	93.10	B
	CA509/K9WHP	9 mm WIDE MARKER PRINTED	1	PKT	106.30	B



Wire Range : 1.5 - 95.0 mm²
 Current (A) : 232 A
 Voltage (V) : 1000 V
 Dimensions Width (Thickness) x Length : 32 x 130 mm
 Height with Din 35 x 7.5 mm Rail : 76.6 mm



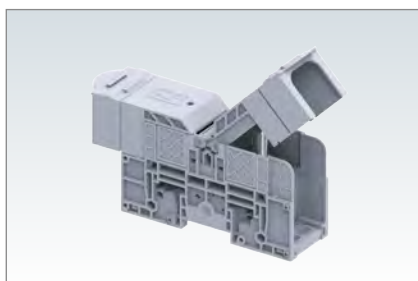
	Part #	Description	Std. Pack	UOM	List Price in	Group
TERMINAL BLOCK	PTB70/95	95 mm ² FEED THRU BARRIER TYPE BOLT TB	10	EA	295.00	B
	PTB70/95BU	95 mm ² FEED THRU BARRIER TYP BOLT TB BLU	10	EA	324.50	B
	PTB70/95BK	95 mm ² FEED THRU BARRIER TYP BOLT TB BLK	10	EA	324.50	B
	PTB70/95R	95 mm ² FEED THRU BARRIER TYP BOLT TB RED	10	EA	324.50	B
	PTB70/95Y	95 mm ² FEED THRU BARRIER TYP BOLT TB YLW	10	EA	324.50	B
	PTB70/95GN	95 mm ² FEED THRU BARRIER TYP BOLT TB GRN	10	EA	339.90	B
ACCESSORIES	CA509/K9WHT	9 mm WIDE MARKER BLANK	1	PKT	93.10	B
	CA509/K9WP	9 mm WIDE MARKER PRINTED	1	PKT	106.30	B
	PSPTB70/95	PROTECTIVE SHROUD FR PTB70/95	20	EA	27.80	B



Wire Range : 1.5 - 95.0 mm²
 Current (A) : 232 A
 Voltage (V) : 1000 V
 Dimensions Width (Thickness) x Length : 32 x 192 mm
 Height with Din 35 x 7.5 mm Rail : 78 mm



	Part #	Description	Std. Pack	UOM	List Price in	Group
TERMINAL BLOCK	PTB70/95SH	95 mm ² FT BARRIER TYPE SHROUDED BOLT TB	10	EA	355.00	B
	PTB70/95SHBU	95 mm ² BARRIER TYPE SHROUD BOLT TB BLU	10	EA	390.50	B
	PTB70/95SHBK	95 mm ² BARRIER TYPE SHROUD BOLT TB BLK	10	EA	390.50	B
	PTB70/95SHR	95 mm ² BARRIER TYPE SHROUD BOLT TB RED	10	EA	390.50	B
	PTB70/95SHY	95 mm ² BARRIER TYPE SHROUD BOLT TB YLW	10	EA	390.50	B
	PTB70/95SHGN	95 mm ² BARRIER TYPE SHROUD BOLT TB GRN	10	EA	390.50	B
ACCESSORIES	CA509/K9WHT	9 mm WIDE MARKER BLANK	1	PKT	93.10	B
	CA509/K9WP	9 mm WIDE MARKER PRINTED	1	PKT	106.30	B



Wire Range : 6 - 150.0 mm²
 Current (A) : 310 A
 Voltage (V) : 1000 V
 Dimensions Width (Thickness) x Length : 42 x 186 mm
 Height with Din 35 x 7.5 mm Rail : 75.8 mm



	Part #	Description	Std. Pack	UOM	List Price in	Group
TERMINAL BLOCK	PTB120/150SH	150 mm ² FT BARRIER TYPE SHROUDED BOLT TB (PTB120/150SH)	5	EA	560.20	B
ACCESSORIES	CA509/K9WHT	9 mm WIDE MARKER BLANK	1	PKT	93.10	B
	CA509/K9WP	CA509/K9-P PRINTED MARKERS WHT	1	PKT	106.30	B

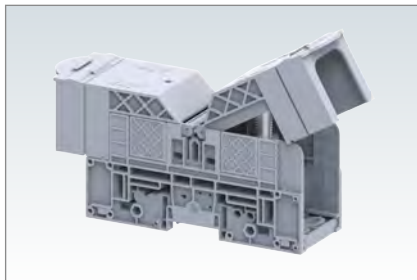
SPRING CLAMP TERMINAL BLOCKS



Wire Range : 10.0 - 240.0 mm²
 Current (A) : 420 A
 Voltage (V) : 1000 V
 Dimensions Width
 (Thickness) x Length : 55 x 218.6 mm
 Height with
 Din 35 x 7.5 mm Rail : 88.5 mm



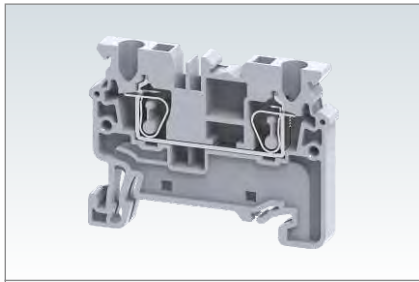
	Part #	Description	Std. Pack	UOM	List Price in	Group
TERMINAL BLOCK	PTB185/240SH	240 mm ² FT BARRIER TYPE SHROUDED BOLT	2	EA	910.00	B
ACCESSORIES	CA509/K16WHT	16 mm WIDE MARKER BLANK	1	PKT	119.60	B
	CA509/K16WP	16 mm WIDE MARKER PRINTED	1	PKT	134.60	B



Wire Range : 25.0 - 300.0 mm²
 Current (A) : 520 A
 Voltage (V) : 1000 V
 Dimensions Width
 (Thickness) x Length : 55 x 218.6 mm
 Height with
 Din 35 x 7.5 mm Rail : 88.6 mm



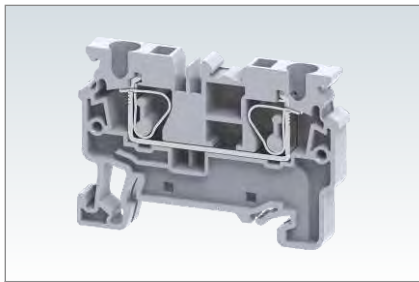
	Part #	Description	Std. Pack	UOM	List Price in	Group
TERMINAL BLOCK	PTB300SH	300 mm ² FT BARRIER TYPE SHROUDED BOLT	2	EA	1150.60	B
ACCESSORIES	CA509/K16WHT	16 mm WIDE MARKER BLANK	1	PKT	119.60	B
	CA509/K16WP	16 mm WIDE MARKER PRINTED	1	PKT	134.60	B



Wire Range : 0.2 - 2.5 mm²
 Current (A) : 24 A
 Voltage (V) : 1000 V
 Dimensions Width (Thickness) x Length : 5 x 50 mm
 Height with Din 35 x 7.5 mm Rail : 38 mm



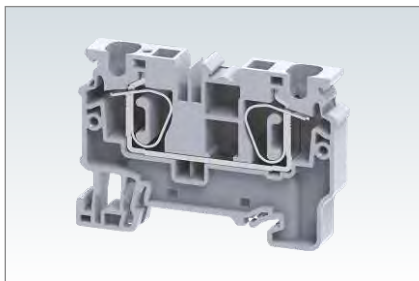
	Part #	Description	Std. Pack	UOM	List Price in	Group
TERMINAL BLOCK	CX2.5	2.5 mm ² FEED THRU SPRING CLAMP TERMINAL	100	EA	10.90	A
	CX2.5BU	2.5 mm ² FEED THRU SPRING CLAMP TB BLUE	100	EA	11.90	A
	CX2.5BK	2.5 mm ² FEED THRU SPRING CLAMP TB BLK	100	EA	11.90	A
	CX2.5R	2.5 mm ² FEED THRU SPRING CLAMP TB RED	100	EA	11.90	A
	CX2.5Y	2.5 mm ² FEED THRU SPRING CLAMP TB YELLOW	100	EA	11.90	A
	CX2.5GN	2.5 mm ² FEED THRU SPRING CLAMP TB GREEN	100	EA	11.90	A
ACCESSORIES	EPCX2.5	END PLATE FOR CX2.5/CXG2.5	50	EA	5.70	A
	PPCX4	PARTITION PLATE FOR CX2.5 & CX4 SERIES	50	EA	8.60	A
	JX2.5/2	SHORTING LNK FR 5mm WIDE SPRING CLAMP TB	100	EA	9.50	A
	JX2.5/3	SHORTING LNK FR 5mm WIDE SPRING CLAMP TB	50	EA	16.50	A
	JX2.5/4	SHORTING LNK FR 5mm WIDE SPRING CLAMP TB	50	EA	28.20	A
	JX2.5/10	SHORTING LNK FR 5mm WIDE SPRING CLAMP TB	10	EA	73.00	A
	CA509/K5WHT	5 mm WIDE MARKER BLANK	1	PKT	81.50	B
	CA509/K5WP	5 mm WIDE MARKER PRINTED	1	PKT	93.10	B



Wire Range : 0.2 - 4.0 mm²
 Current (A) : 32 A
 Voltage (V) : 1000 V
 Dimensions Width (Thickness) x Length : 6 x 54.8 mm
 Height with Din 35 x 7.5 mm Rail : 38 mm



	Part #	Description	Std. Pack	UOM	List Price in	Group
TERMINAL BLOCK	CX4	4 mm ² FEED THRU SPRING CLAMP TERMINAL	100	EA	18.60	A
	CX4BU	4 mm ² FEED THRU SPRING CLAMP TB BLUE	100	EA	20.40	A
	CX4BK	4 mm ² FEED THRU SPRING CLAMP TB BLACK	100	EA	20.40	A
	CX4R	4 mm ² FEED THRU SPRING CLAMP TB RED	100	EA	20.40	A
	CX4Y	4 mm ² FEED THRU SPRING CLAMP TB YELLOW	100	EA	20.40	A
	CX4GN	4 mm ² FEED THRU SPRING CLAMP TB GREEN	100	EA	20.40	A
ACCESSORIES	EPCX4	END PLATE FOR CX4 & CXG4	50	EA	6.80	A
	PPCX4	PARTITION PLATE FOR CX2.5 & CX4 SERIES	50	EA	8.60	A
	JX4/2	SHORTING LNK FR 5mm WIDE SPRING CLAMP TB	100	EA	16.20	A
	JX4/3	SHORTING LNK FR 5mm WIDE SPRING CLAMP TB	50	EA	27.80	A
	JX4/4	SHORTING LNK FR 5mm WIDE SPRING CLAMP TB	50	EA	41.80	A
	JX4/10	SHORTING LNK FR 5mm WIDE SPRING CLAMP TB	10	EA	97.50	A
	CA509/K6WHT	6 mm WIDE MARKER BLANK	1	PKT	81.50	B
	CA509/K6WP	6 mm WIDE MARKER PRINTED	1	PKT	93.10	B

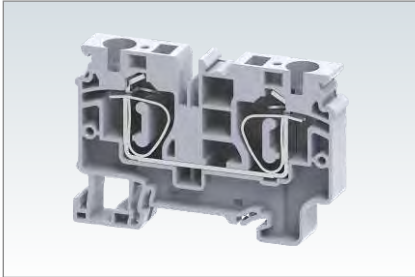


Wire Range : 0.2 - 6.0 mm²
 Current (A) : 41 A
 Voltage (V) : 1000 V
 Dimensions Width (Thickness) x Length : 8 x 62.1 mm
 Height with Din 35 x 7.5 mm Rail : 43 mm



	Part #	Description	Std. Pack	UOM	List Price in	Group
TERMINAL BLOCK	CX6	6 mm ² FEED THRU SPRING CLAMP TERMINAL	100	EA	35.90	A
	CX6BU	6 mm ² FEED THRU SPRING CLAMP TB BLUE	100	EA	39.40	A
	CX6BK	6 mm ² FEED THRU SPRING CLAMP TB BLACK	100	EA	39.40	A
	CX6R	6 mm ² FEED THRU SPRING CLAMP TB RED	100	EA	39.40	A
	CX6Y	6 mm ² FEED THRU SPRING CLAMP TB YELLOW	100	EA	39.40	A
	CX6GN	6 mm ² FEED THRU SPRING CLAMP TB GREEN	100	EA	39.40	A
ACCESSORIES	EPCX6	END PLATE FOR CX6 & CXG6	50	EA	8.20	A
	PPCX10	PARTITION PLATE FOR CX6 & CX10 SERIES	20	EA	12.20	A
	JX6/2	SHORTING LNK FR 8mm WIDE SPRING CLAMP TB	100	EA	24.50	A
	JX6/3	SHORTING LNK FR 8mm WIDE SPRING CLAMP TB	50	EA	41.80	A
	JX6/4	SHORTING LNK FR 8mm WIDE SPRING CLAMP TB	50	EA	58.50	A
	JX6/10	SHORTING LNK FR 8mm WIDE SPRING CLAMP TB	10	EA	139.20	A
	CA509/K8WHT	8 mm WIDE MARKER BLANK	1	PKT	93.10	B
	CA509/K8WP	8 mm WIDE MARKER PRINTED	1	PKT	106.30	B

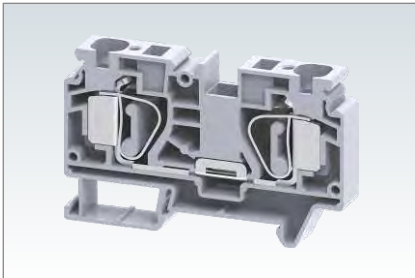
CX SERIES SPRING CLAMP TERMINAL BLOCKS



Wire Range : 0.2 - 10.0 mm²
 Current (A) : 57 A
 Voltage (V) : 1000 V
 Dimensions Width
 (Thickness) x Length : 10 x 71.7 mm
 Height with
 Din 35 x 7.5 mm Rail : 49.5 mm



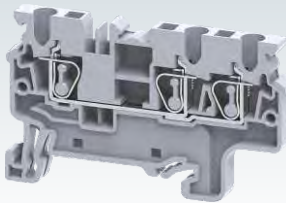
	Part #	Description	Std. Pack	UOM	List Price in	Group
TERMINAL BLOCK	CX10	10 mm ² FEED THRU SPRING CLAMP TERMINAL	50	EA	69.00	A
	CX10BU	10 mm ² FEED THRU SPRING CLAMP TB BLUE	50	EA	75.90	A
	CX10BK	10 mm ² FEED THRU SPRING CLAMP TB BLACK	50	EA	75.90	A
	CX10R	10 mm ² FEED THRU SPRING CLAMP TB RED	50	EA	75.90	A
	CX10Y	10 mm ² FEED THRU SPRING CLAMP TB YELLOW	50	EA	75.90	A
	CX10GN	10 mm ² FEED THRU SPRING CLAMP TB GREEN	50	EA	75.90	A
ACCESSORIES	EPCX10	END PLATE FOR CX10 & CXG10	50	EA	8.40	A
	PPCX10	PARTITION PLATE FOR CX6 & CX10 SERIES	20	EA	12.20	A
	JX10/2	2P SHORT LINK 10mm WIDE SPRING CLAMP TB	20	EA	35.60	A
	CA509/K10WHT	10 mm WIDE MARKER BLANK	1	PKT	101.50	B
	CA509/K10WP	10 mm WIDE MARKER PRINTED	1	PKT	114.80	B












Wire Range : 1.5 - 16.0 mm²
 Current (A) : 76 A
 Voltage (V) : 800 V
 Dimensions Width
 (Thickness) x Length : 12 x 82 mm
 Height with
 Din 35 x 7.5 mm Rail : 51.6 mm



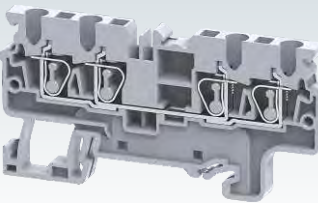
	Part #	Description	Std. Pack	UOM	List Price in	Group
TERMINAL BLOCK	CSC16T	16 mm ² FEED THRU SPRING CLAMP TERMINAL	50	EA	91.00	A
	CSC16TBU	16 mm ² FEED THRU SPRING CLAMP TB BLUE	50	EA	100.10	A
	CSC16TBK	16 mm ² FEED THRU SPRING CLAMP TB BLACK	50	EA	100.10	A
	CSC16TR	16 mm ² FEED THRU SPRING CLAMP TB RED	50	EA	100.10	A
	CSC16TY	16 mm ² FEED THRU SPRING CLAMP TB YELLOW	50	EA	100.10	A
	CSC16TGN	16 mm ² FEED THRU SPRING CLAMP TB GREEN	50	EA	100.10	A
ACCESSORIES	EPCSC16T	END PLATE FOR CSC16T	50	EA	13.70	A
	CA801/5	2P SHRT LINK FR 16mm WIDE SPRNG CLAMP TB	100	EA	66.90	A
	CA509/K12WHT	12 mm WIDE MARKER BLANK	1	PKT	119.60	B
	CA509/K12WP	12 mm WIDE MARKER PRINTED	1	PKT	132.90	B








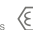



Wire Range : 0.2 - 2.5 mm²
 Current (A) : 24 A
 Voltage (V) : 1000 V
 Dimensions Width (Thickness) x Length : 5 x 62.5 mm
 Height with Din 35 x 7.5 mm Rail : 38 mm

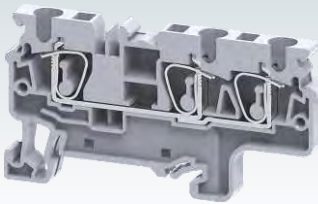
	Part #	Description	Std. Pack	UOM	List Price in	Group
TERMINAL BLOCK	CX2.5/3	2.5 mm ² FEED THRU SPRING CLAMP 3 WIRE TB	100	EA	24.90	A
	CX2.5/3BU	2.5 mm ² FEED THRU SP CL 3 WIRE TB BLUE	100	EA	27.30	A
	CX2.5/3BK	2.5 mm ² FEED THRU SP CL 3 WIRE TB BLACK	100	EA	27.30	A
	CX2.5/3R	2.5 mm ² FEED THRU SP CL 3 WIRE TB RED	100	EA	27.30	A
	CX2.5/3Y	2.5 mm ² FEED THRU SP CL 3 WIRE TB YELLOW	100	EA	27.30	A
	CX2.5/3GN	2.5 mm ² FEED THRU SP CL 3 WIRE TB GREEN	100	EA	27.30	A
ACCESSORIES	EPCX2.5/3	END PLATE FOR CX2.5/3 & CXG2.5/3	50	EA	7.10	A
	PPCX4/3	PARTITION PLATE FOR CX2.5 & CX4 SERIES	50	EA	10.60	A
	JX2.5/2	SHORTING LNK FR 5mm WIDE SPRING CLAMP TB	100	EA	9.50	A
	JX2.5/3	SHORTING LNK FR 5mm WIDE SPRING CLAMP TB	50	EA	16.50	A
	JX2.5/4	SHORTING LNK FR 5mm WIDE SPRING CLAMP TB	50	EA	28.20	A
	JX2.5/10	SHORTING LNK FR 5mm WIDE SPRING CLAMP TB	10	EA	73.00	A
	CA509/K5WHT	5 mm WIDE MARKER BLANK	1	PKT	81.50	B
	CA509/K5WP	5 mm WIDE MARKER PRINTED	1	PKT	93.10	B












Wire Range : 0.2 - 2.5 mm²
 Current (A) : 24 A
 Voltage (V) : 1000 V
 Dimensions Width (Thickness) x Length : 5 x 74.7 mm
 Height with Din 35 x 7.5 mm Rail : 38 mm

	Part #	Description	Std. Pack	UOM	List Price in	Group
TERMINAL BLOCK	CX2.5/4	2.5 mm ² FEED THRU SPRING CLAMP 4 WIRE TB	100	EA	27.00	A
	CX2.5/4BU	2.5 mm ² FEED THRU SP CL 4 WIRE TB BLUE	100	EA	29.70	A
	CX2.5/4BK	2.5 mm ² FEED THRU SP CL 4 WIRE TB BLACK	100	EA	29.70	A
	CX2.5/4R	2.5 mm ² FEED THRU SP CL 4 WIRE TB RED	100	EA	29.70	A
	CX2.5/4Y	2.5 mm ² FEED THRU SP CL 4 WIRE TB YELLOW	100	EA	29.70	A
	CX2.5/4GN	2.5 mm ² FEED THRU SP CL 4 WIRE TB GREEN	100	EA	29.70	A
ACCESSORIES	EPCX2.5/4	END PLATE FOR CX2.5/4&CXK2.5/4&CXG2.5/4	50	EA	7.40	A
	PPCX4/4	PARTITION PLATE FOR CX2.5/4&CX4/4 SERIES	50	EA	14.10	A
	JX2.5/2	SHORTING LNK FR 5mm WIDE SPRING CLAMP TB	100	EA	9.50	A
	JX2.5/3	SHORTING LNK FR 5mm WIDE SPRING CLAMP TB	50	EA	16.50	A
	JX2.5/4	SHORTING LNK FR 5mm WIDE SPRING CLAMP TB	50	EA	28.20	A
	JX2.5/10	SHORTING LNK FR 5mm WIDE SPRING CLAMP TB	10	EA	73.00	A
	CA509/K5WHT	5 mm WIDE MARKER BLANK	1	PKT	81.50	B
	CA509/K5WP	5 mm WIDE MARKER PRINTED	1	PKT	93.10	B

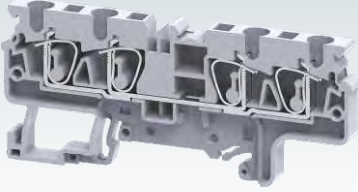


Wire Range : 0.2 - 4.0 mm²
 Current (A) : 32 A
 Voltage (V) : 1000 V
 Dimensions Width (Thickness) x Length : 6 x 70.5 mm
 Height with Din 35 x 7.5 mm Rail : 38 mm




















	Part #	Description	Std. Pack	UOM	List Price in	Group
TERMINAL BLOCK	CX4/3	4 mm ² FEED THRU SPRING CLAMP 3 WIRE TB	50	EA	34.00	A
	CX4/3BU	4 mm ² FEED THRU SP CL 3 WIRE TB BLUE	50	EA	37.40	A
	CX4/3BK	4 mm ² FEED THRU SP CL 3 WIRE TB BLACK	50	EA	37.40	A
	CX4/3R	4 mm ² FEED THRU SP CL 3 WIRE TB RED	50	EA	37.40	A
	CX4/3Y	4 mm ² FEED THRU SP CL 3 WIRE TB YELLOW	50	EA	37.40	A
	CX4/3GN	4 mm ² FEED THRU SP CL 3 WIRE TB GREEN	50	EA	37.40	A
ACCESSORIES	EPCX4/3	END PLATE FOR CX4/3 & CXG4/3	50	EA	8.60	A
	PPCX4/3	PARTITION PLATE FOR CX2.5 & CX4 SERIES	50	EA	10.60	A
	JX4/2	SHORTING LNK FR 5mm WIDE SPRING CLAMP TB	100	EA	16.20	A
	JX4/3	SHORTING LNK FR 5mm WIDE SPRING CLAMP TB	50	EA	27.80	A
	JX4/4	SHORTING LNK FR 5mm WIDE SPRING CLAMP TB	50	EA	41.80	A
	JX4/10	SHORTING LNK FR 5mm WIDE SPRING CLAMP TB	10	EA	97.50	A
	CA509/K6WHT	6 mm WIDE MARKER BLANK	1	PKT	81.50	B
	CA509/K6WP	6 mm WIDE MARKER PRINTED	1	PKT	93.10	B

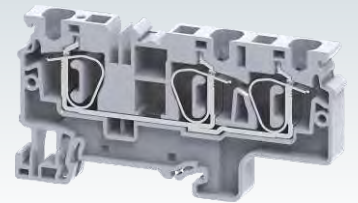
CX SERIES SPRING CLAMP TERMINAL BLOCKS












Wire Range : 0.2 - 4.0 mm²
 Current (A) : 32 A
 Voltage (V) : 1000 V
 Dimensions Width (Thickness) x Length : 6 x 86.2 mm
 Height with Din 35 x 7.5 mm Rail : 38 mm

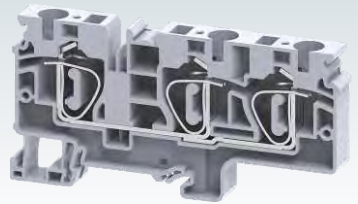
	Part #	Description	Std. Pack	UOM	List Price in	Group
TERMINAL BLOCK	CX4/4	4 mm ² FEED THRU SPRING CLAMP 4 WIRE TB	50	EA	39.50	A
	CX4/4BU	4 mm ² FEED THRU SP CL 4 WIRE TB BLUE	50	EA	43.40	A
	CX4/4BK	4 mm ² FEED THRU SP CL 4 WIRE TB BLACK	50	EA	43.40	A
	CX4/4R	4 mm ² FEED THRU SP CL 4 WIRE TB RED	50	EA	43.40	A
	CX4/4Y	4 mm ² FEED THRU SP CL 4 WIRE TB YELLOW	50	EA	43.40	A
	CX4/4GN	4 mm ² FEED THRU SP CL 4 WIRE TB GREEN	50	EA	43.40	A
ACCESSORIES	EPCX4/4	END PLATE FOR CX4/4 & CXG4/4	50	EA	10.20	A
	PPCX4/4	PARTITION PLATE FOR CX2.5/4&CX4/4 SERIES	50	EA	14.10	A
	JX4/2	SHORTING LNK FR 5mm WIDE SPRING CLAMP TB	100	EA	16.20	A
	JX4/3	SHORTING LNK FR 5mm WIDE SPRING CLAMP TB	50	EA	27.80	A
	JX4/4	SHORTING LNK FR 5mm WIDE SPRING CLAMP TB	50	EA	41.80	A
	JX4/10	SHORTING LNK FR 5mm WIDE SPRING CLAMP TB	10	EA	97.50	A
	CA509/K6WHT	6 mm WIDE MARKER BLANK	1	PKT	81.50	B
	CA509/K6WP	6 mm WIDE MARKER PRINTED	1	PKT	93.10	B









Wire Range : 0.2 - 6.0 mm²
 Current (A) : 41 A
 Voltage (V) : 1000 V
 Dimensions Width (Thickness) x Length : 8 x 82.2 mm
 Height with Din 35 x 7.5 mm Rail : 43 mm

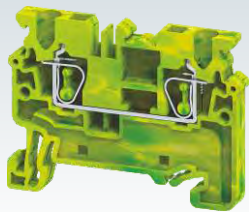
	Part #	Description	Std. Pack	UOM	List Price in	Group
TERMINAL BLOCK	CX6/3	6 mm ² FEED THRU SPRING CLAMP 3 WIRE TB	50	EA	76.50	A
	CX6/3BU	6 mm ² FEED THRU SP CL 3 WIRE TB BLUE	50	EA	84.10	A
	CX6/3BK	6 mm ² FEED THRU SP CL 3 WIRE TB BLACK	50	EA	84.10	A
	CX6/3R	6 mm ² FEED THRU SP CL 3 WIRE TB RED	50	EA	84.10	A
	CX6/3Y	6 mm ² FEED THRU SP CL 3 WIRE TB YELLOW	50	EA	84.10	A
	CX6/3GN	6 mm ² FEED THRU SP CL 3 WIRE TB GREEN	50	EA	84.10	A
ACCESSORIES	EPCX6/3	END PLATE FOR CX6/3 & CXG6/3	50	EA	9.80	A
	JX6/2	SHORTING LNK FR 8mm WIDE SPRING CLAMP TB	100	EA	24.50	A
	JX6/3	SHORTING LNK FR 8mm WIDE SPRING CLAMP TB	50	EA	41.80	A
	JX6/4	SHORTING LNK FR 8mm WIDE SPRING CLAMP TB	50	EA	58.50	A
	JX6/10	SHORTING LNK FR 8mm WIDE SPRING CLAMP TB	10	EA	139.20	A
	CA509/K8WHT	8 mm WIDE MARKER BLANK	1	PKT	93.10	B
	CA509/K8WP	8 mm WIDE MARKER PRINTED	1	PKT	106.30	B




Wire Range : 0.2 - 10.0 mm²
 Current (A) : 57 A
 Voltage (V) : 1000 V
 Dimensions Width (Thickness) x Length : 10 x 97.6 mm
 Height with Din 35 x 7.5 mm Rail : 49.3 mm

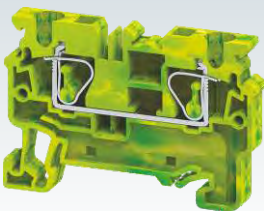
	Part #	Description	Std. Pack	UOM	List Price in	Group
TERMINAL BLOCK	CX10/3	10 mm ² FEED THRU SPRING CLAMP 3 WIRE TB	50	EA	118.00	A
	CX10/3BU	10 mm ² FEED THRU SP CL 3 WIRE TB BLUE	50	EA	129.80	A
	CX10/3BK	10 mm ² FEED THRU SP CL 3 WIRE TB BLACK	50	EA	129.80	A
	CX10/3R	10 mm ² FEED THRU SP CL 3 WIRE TB RED	50	EA	129.80	A
	CX10/3Y	10 mm ² FEED THRU SP CL 3 WIRE TB YELLOW	50	EA	129.80	A
	CX10/3GN	10 mm ² FEED THRU SP CL 3 WIRE TB GREEN	50	EA	129.80	A
ACCESSORIES	EPCX10/3	END PLATE FOR CX10/3 & CXG10/3	20	EA	10.40	A
	JX10/2	2P SHORT LINK 10mm WIDE SPRING CLAMP TB	20	EA	35.60	A
	CA509/K8WHT	8 mm WIDE MARKER BLANK	1	PKT	93.10	B
	CA509/K8WP	8 mm WIDE MARKER PRINTED	1	PKT	106.30	B




Wire Range : 0.2 - 2.5 mm²
 Dimensions Width (Thickness) x Length : 5 x 50 mm
 Height with Din 35 x 7.5 mm Rail : 38 mm



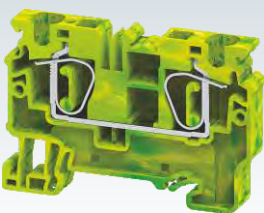
	Part #	Description	Std. Pack	UOM	List Price in	Group
TERMINAL BLOCK	CXG2.5	2.5 mm ² SPRING CLAMP GROUNDING TB	100	EA	70.20	A
ACCESSORIES	EPCX2.5	END PLATE FOR CX2.5/CXG2.5	50	EA	5.70	A
	PPCX4	PARTITION PLATE FOR CX2.5 & CX4 SERIES	50	EA	8.60	A
	JX2.5/2	SHORTING LNK FR 5mm WIDE SPRING CLAMP TB	100	EA	9.50	A
	JX2.5/3	SHORTING LNK FR 5mm WIDE SPRING CLAMP TB	50	EA	16.50	A
	JX2.5/4	SHORTING LNK FR 5mm WIDE SPRING CLAMP TB	50	EA	28.20	A
	JX2.5/10	SHORTING LNK FR 5mm WIDE SPRING CLAMP TB	10	EA	73.00	A
	CA509/K5WHT	5 mm WIDE MARKER BLANK	1	PKT	81.50	B
CA509/K5WP	5 mm WIDE MARKER PRINTED	1	PKT	93.10	B	




Wire Range : 0.2 - 4.0 mm²
 Dimensions Width (Thickness) x Length : 6 x 54.8 mm
 Height with Din 35 x 7.5 mm Rail : 38 mm



	Part #	Description	Std. Pack	UOM	List Price in	Group
TERMINAL BLOCK	CXG4	4 mm ² SPRING CLAMP GROUNDING TB	100	EA	71.00	A
ACCESSORIES	EPCX4	END PLATE FOR CX4 & CXG4	50	EA	6.80	A
	PPCX4	PARTITION PLATE FOR CX2.5 & CX4 SERIES	50	EA	8.60	A
	JX4/2	SHORTING LNK FR 5mm WIDE SPRING CLAMP TB	100	EA	16.20	A
	JX4/3	SHORTING LNK FR 5mm WIDE SPRING CLAMP TB	50	EA	27.80	A
	JX4/4	SHORTING LNK FR 5mm WIDE SPRING CLAMP TB	50	EA	41.80	A
	JX4/10	SHORTING LNK FR 5mm WIDE SPRING CLAMP TB	10	EA	97.50	A
	CA509/K6WHT	6 mm WIDE MARKER BLANK	1	PKT	81.50	B
CA509/K6WP	6 mm WIDE MARKER PRINTED	1	PKT	93.10	B	

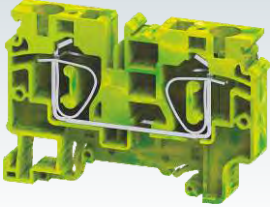


Wire Range : 0.2 - 6.0 mm²
 Dimensions Width (Thickness) x Length : 8 x 62.1 mm
 Height with Din 35 x 7.5 mm Rail : 43 mm




	Part #	Description	Std. Pack	UOM	List Price in	Group
TERMINAL BLOCK	CXG6	6 mm ² FEED THRU SPRING CLAMP GROUND TB	100	EA	137.90	A
ACCESSORIES	EPCX6	END PLATE FOR CX6 & CXG6	50	EA	8.20	A
	PPCX10	PARTITION PLATE FOR CX6 & CX10 SERIES	20	EA	12.20	A
	JX6/2	SHORTING LNK FR 8mm WIDE SPRING CLAMP TB	100	EA	24.50	A
	JX6/3	SHORTING LNK FR 8mm WIDE SPRING CLAMP TB	50	EA	41.80	A
	JX6/4	SHORTING LNK FR 8mm WIDE SPRING CLAMP TB	50	EA	58.50	A
	JX6/10	SHORTING LNK FR 8mm WIDE SPRING CLAMP TB	10	EA	139.20	A
	CA509/K8WHT	8 mm WIDE MARKER BLANK	1	PKT	93.10	B
CA509/K8WP	8 mm WIDE MARKER PRINTED	1	PKT	106.30	B	

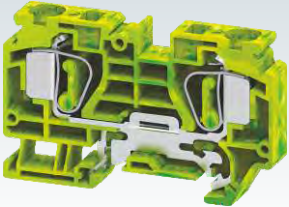
CX SERIES SPRING CLAMP TERMINAL BLOCKS




Wire Range : 0.2 - 10.0 mm²
 Dimensions Width (Thickness) x Length : 10 x 71.7 mm
 Height with Din 35 x 7.5 mm Rail : 49.5 mm



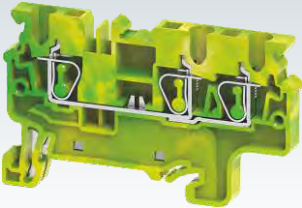
	Part #	Description	Std. Pack	UOM	List Price in	Group
TERMINAL BLOCK	CXG10	10 mm ² FEED THRU SPRING CLAMP TERMINAL	50	EA	177.90	A
ACCESSORIES	EPCX10	END PLATE FOR CX10 & CXG10	50	EA	8.40	A
	PPCX10	PARTITION PLATE FOR CX6 & CX10 SERIES	20	EA	12.20	A
	JX10/2	2P SHORT LINK 10mm WIDE SPRING CLAMP TB	20	EA	35.60	A
	CA509/K10WHT	10 mm WIDE MARKER BLANK	1	PKT	101.50	B
	CA509/K10WP	10 mm WIDE MARKER PRINTED	1	PKT	114.80	B




Wire Range : 1.5 - 16.0 mm²
 Dimensions Width (Thickness) x Length : 12 x 82 mm
 Height with Din 35 x 7.5 mm Rail : 51.6 mm



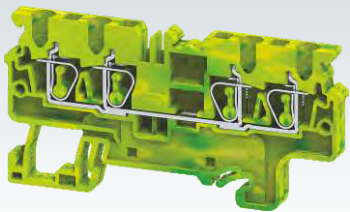
	Part #	Description	Std. Pack	UOM	List Price in	Group
TERMINAL BLOCK	CSCG16T	16 mm ² FEED THRU SP CL GROUNDING TB	50	EA	214.40	A
ACCESSORIES	EPCSC16T	END PLATE FOR CSC16T	50	EA	13.70	A
	CA509/K12WHT	12 mm WIDE MARKER BLANK	1	PKT	119.60	B
	CA509/K12WP	12 mm WIDE MARKER PRINTED	1	PKT	132.90	B




Wire Range : 0.2 - 2.5 mm²
 Dimensions Width (Thickness) x Length : 5 x 62.5 mm
 Height with Din 35 x 7.5 mm Rail : 38 mm



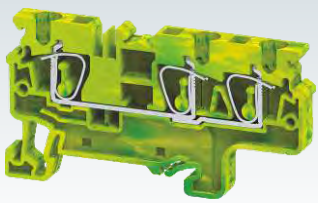
	Part #	Description	Std. Pack	UOM	List Price in	Group
TERMINAL BLOCK	CXG2.5/3	2.5 mm ² SPRING CLAMP 3 WIRE GROUND TB	100	EA	103.20	A
ACCESSORIES	EPCX2.5/3	END PLATE FOR CX2.5/3 & CXG2.5/3	50	EA	7.10	A
	PPCX4/3	PARTITION PLATE FOR CX2.5 & CX4 SERIES	50	EA	10.60	A
	JX2.5/2	SHORTING LNK FR 5mm WIDE SPRING CLAMP TB	100	EA	9.50	A
	JX2.5/3	SHORTING LNK FR 5mm WIDE SPRING CLAMP TB	50	EA	16.50	A
	JX2.5/4	SHORTING LNK FR 5mm WIDE SPRING CLAMP TB	50	EA	28.20	A
	JX2.5/10	SHORTING LNK FR 5mm WIDE SPRING CLAMP TB	10	EA	73.00	A
	CA509/K5WHT	5 mm WIDE MARKER BLANK	1	PKT	81.50	B
	CA509/K5WP	5 mm WIDE MARKER PRINTED	1	PKT	93.10	B




Wire Range : 0.2 - 2.5 mm²
 Dimensions Width (Thickness) x Length : 5 x 74.7 mm
 Height with Din 35 x 7.5 mm Rail : 38 mm




	Part #	Description	Std. Pack	UOM	List Price in	Group
TERMINAL BLOCK	CXG2.5/4	2.5 mm ² SPRING CLAMP 4 WIRE GROUND TB	100	EA	105.30	A
ACCESSORIES	EPCX2.5/4	END PLATE FOR CX2.5/4&CXK2.5/4&CXG2.5/4	50	EA	7.40	A
	PPCX4/4	PARTITION PLATE FOR CX2.5/4&CX4/4 SERIES	50	EA	14.10	A
	JX2.5/2	SHORTING LNK FR 5mm WIDE SPRING CLAMP TB	100	EA	9.50	A
	JX2.5/3	SHORTING LNK FR 5mm WIDE SPRING CLAMP TB	50	EA	16.50	A
	JX2.5/4	SHORTING LNK FR 5mm WIDE SPRING CLAMP TB	50	EA	28.20	A
	JX2.5/10	SHORTING LNK FR 5mm WIDE SPRING CLAMP TB	10	EA	73.00	A
	CA509/K5WHT	5 mm WIDE MARKER BLANK	1	PKT	81.50	B
CA509/K5WP	5 mm WIDE MARKER PRINTED	1	PKT	93.10	B	




Wire Range : 0.2 - 4.0 mm²
 Dimensions Width (Thickness) x Length : 6 x 70.5 mm
 Height with Din 35 x 7.5 mm Rail : 38 mm



	Part #	Description	Std. Pack	UOM	List Price in	Group
TERMINAL BLOCK	CXG4/3	4 mm ² SPRING CLAMP 3 WIRE GROUND TB	50	EA	106.70	A
ACCESSORIES	EPCX4/3	END PLATE FOR CX4/3 & CXG4/3	50	EA	8.60	A
	PPCX4/3	PARTITION PLATE FOR CX2.5 & CX4 SERIES	50	EA	10.60	A
	JX4/2	SHORTING LNK FR 5mm WIDE SPRING CLAMP TB	100	EA	16.20	A
	JX4/3	SHORTING LNK FR 5mm WIDE SPRING CLAMP TB	50	EA	27.80	A
	JX4/4	SHORTING LNK FR 5mm WIDE SPRING CLAMP TB	50	EA	41.80	A
	JX4/10	SHORTING LNK FR 5mm WIDE SPRING CLAMP TB	10	EA	97.50	A
	CA509/K6WHT	6 mm WIDE MARKER BLANK	1	PKT	81.50	B
CA509/K6WP	6 mm WIDE MARKER PRINTED	1	PKT	93.10	B	

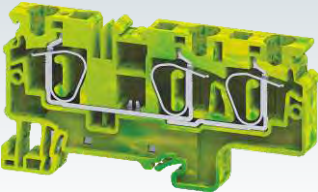


Wire Range : 0.2 - 4.0 mm²
 Dimensions Width (Thickness) x Length : 6 x 86.2 mm
 Height with Din 35 x 7.5 mm Rail : 38 mm




	Part #	Description	Std. Pack	UOM	List Price in	Group
TERMINAL BLOCK	CXG4/4	4 mm ² SPRING CLAMP 4 WIRE GROUND TB	50	EA	115.60	A
ACCESSORIES	EPCX4/4	END PLATE FOR CX4/4 & CXG4/4	50	EA	10.20	A
	PPCX4/4	PARTITION PLATE FOR CX2.5/4&CX4/4 SERIES	50	EA	14.10	A
	JX4/2	SHORTING LNK FR 5mm WIDE SPRING CLAMP TB	100	EA	16.20	A
	JX4/3	SHORTING LNK FR 5mm WIDE SPRING CLAMP TB	50	EA	27.80	A
	JX4/4	SHORTING LNK FR 5mm WIDE SPRING CLAMP TB	50	EA	41.80	A
	JX4/10	SHORTING LNK FR 5mm WIDE SPRING CLAMP TB	10	EA	97.50	A
	CA509/K6WHT	6 mm WIDE MARKER BLANK	1	PKT	81.50	B
CA509/K6WP	6 mm WIDE MARKER PRINTED	1	PKT	93.10	B	

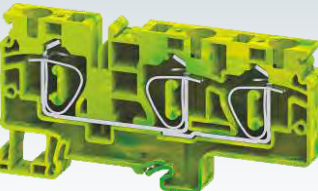
CX SERIES SPRING CLAMP TERMINAL BLOCKS




Wire Range : 0.2 - 6.0 mm²
 Dimensions Width (Thickness) x Length : 8 x 82.2 mm
 Height with Din 35 x 7.5 mm Rail : 43 mm



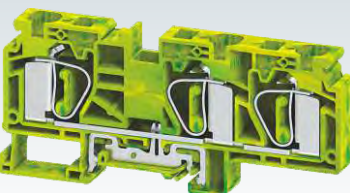
	Part #	Description	Std. Pack	UOM	List Price in	Group
TERMINAL BLOCK	CXG6/3	6 mm ² SPRING CLAMP 3 WIRE GROUND TB	50	EA	157.20	A
ACCESSORIES	EPCX6/3	END PLATE FOR CX6/3 & CXG6/3	50	EA	9.80	A
	JX6/2	SHORTING LNK FR 8mm WIDE SPRING CLAMP TB	100	EA	24.50	A
	JX6/3	SHORTING LNK FR 8mm WIDE SPRING CLAMP TB	50	EA	41.80	A
	JX6/4	SHORTING LNK FR 8mm WIDE SPRING CLAMP TB	50	EA	58.50	A
	JX6/10	SHORTING LNK FR 8mm WIDE SPRING CLAMP TB	10	EA	139.20	A
	CA509/K8WHT	8 mm WIDE MARKER BLANK	1	PKT	93.10	B
	CA509/K8WP	8 mm WIDE MARKER PRINTED	1	PKT	106.30	B




Wire Range : 0.2 - 10.0 mm²
 Dimensions Width (Thickness) x Length : 10 x 97 mm
 Height with Din 35 x 7.5 mm Rail : 49.3 mm



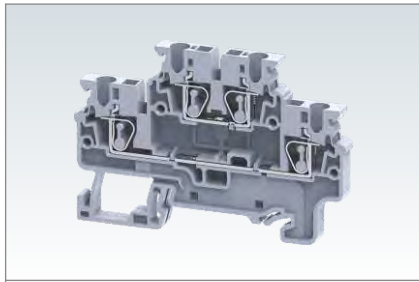
	Part #	Description	Std. Pack	UOM	List Price in	Group
TERMINAL BLOCK	CXG10/3	10 mm ² SPRING CLAMP 3 WIRE GROUND TB	50	EA	194.80	A
ACCESSORIES	EPCX10/3	END PLATE FOR CX10/3 & CXG10/3	20	EA	10.40	A
	JX10/2	2P SHORT LINK 10mm WIDE SPRING CLAMP TB	20	EA	35.60	A
	CA509/K10WHT	10 mm WIDE MARKER BLANK	1	PKT	101.50	B
	CA509/K10WP	10 mm WIDE MARKER PRINTED	1	PKT	114.80	B



Wire Range : 1.5 - 16.0 mm²
 Dimensions Width (Thickness) x Length : 12 x 82 mm
 Height with Din 35 x 7.5 mm Rail : 51.6 mm



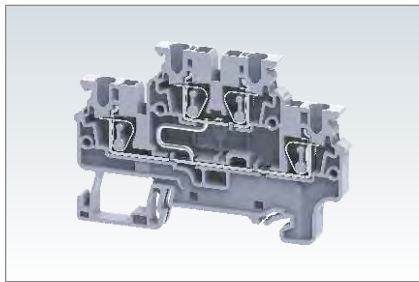
	Part #	Description	Std. Pack	UOM	List Price in	Group
TERMINAL BLOCK	CSCG16/3T	16 mm ² FEED THRU SP CL GROUNDING TB	25	EA	236.60	A
ACCESSORIES	EPCSC16T	END PLATE FOR CSC16T	50	EA	13.70	A
	CA509/K12WHT	12 mm WIDE MARKER BLANK	1	PKT	119.60	B
	CA509/K12WP	12 mm WIDE MARKER PRINTED	1	PKT	132.90	B



Wire Range : 0.2 - 2.5 mm²
 Current (A) : 24 A
 Voltage (V) : 1000 V
 Dimensions Width (Thickness) x Length : 5 x 72.7 mm
 Height with Din 35 x 7.5 mm Rail : 49.5 mm



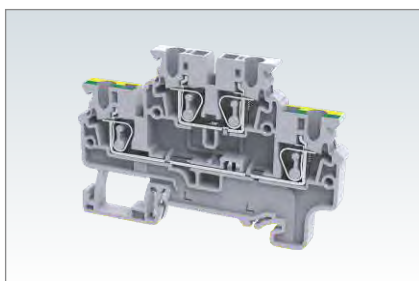
	Part #	Description	Std. Pack	UOM	List Price in	Group
TERMINAL BLOCK	CXDL2.5	2.5 mm ² 2 LEVEL SPRING CLAMP TERMINAL	50	EA	31.20	A
	CXDL2.5BU	2.5 mm ² 2 LEVEL SPRING CLAMP TB BLUE	50	EA	34.30	A
	CXDL2.5BK	2.5 mm ² 2 LEVEL SPRING CLAMP TB BLACK	50	EA	34.30	A
	CXDL2.5R	2.5 mm ² 2 LEVEL SPRING CLAMP TB RED	50	EA	34.30	A
	CXDL2.5Y	2.5 mm ² 2 LEVEL SPRING CLAMP TB YELLOW	50	EA	34.30	A
	CXDL2.5GN	2.5 mm ² 2 LEVEL SPRING CLAMP TB GREEN	50	EA	34.30	A
ACCESSORIES	EPCXDL2.5	END PLATE FOR CXDL2.5 SERIES	50	EA	10.40	A
	JX2.5/2	SHORTING LNK FR 5mm WIDE SPRING CLAMP TB	100	EA	9.50	A
	JX2.5/3	SHORTING LNK FR 5mm WIDE SPRING CLAMP TB	50	EA	16.50	A
	JX2.5/4	SHORTING LNK FR 5mm WIDE SPRING CLAMP TB	50	EA	28.20	A
	JX2.5/10	SHORTING LNK FR 5mm WIDE SPRING CLAMP TB	10	EA	73.00	A
	CA509/K5WHT	5 mm WIDE MARKER BLANK	1	PKT	81.50	B
	CA509/K5WP	5 mm WIDE MARKER PRINTED	1	PKT	93.10	B



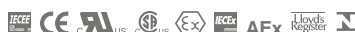
Wire Range : 0.2 - 2.5 mm²
 Current (A) : 24 A
 Voltage (V) : 1000 V
 Dimensions Width (Thickness) x Length : 5 x 72.7 mm
 Height with Din 35 x 7.5 mm Rail : 49.5 mm



	Part #	Description	Std. Pack	UOM	List Price in	Group
TERMINAL BLOCK	CXDL2.5(I.S)	2.5 mm ² 2 LVL SPRING CLAMP INT SHRTD TB	50	EA	42.10	A
ACCESSORIES	EPCXDL2.5	END PLATE FOR CXDL2.5 SERIES	50	EA	10.40	A
	JX2.5/2	SHORTING LNK FR 5mm WIDE SPRING CLAMP TB	100	EA	9.50	A
	JX2.5/3	SHORTING LNK FR 5mm WIDE SPRING CLAMP TB	50	EA	16.50	A
	JX2.5/4	SHORTING LNK FR 5mm WIDE SPRING CLAMP TB	50	EA	28.20	A
	JX2.5/10	SHORTING LNK FR 5mm WIDE SPRING CLAMP TB	10	EA	73.00	A
	CA509/K5WHT	5 mm WIDE MARKER BLANK	1	PKT	81.50	B
	CA509/K5WP	5 mm WIDE MARKER PRINTED	1	PKT	93.10	B

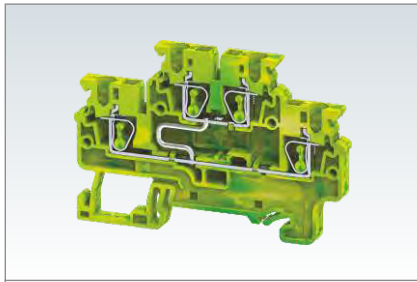


Wire Range : 0.2 - 2.5 mm²
 Current (A) : 24 A
 Voltage (V) : 1000 V
 Dimensions Width (Thickness) x Length : 5 x 72.7 mm
 Height with Din 35 x 7.5 mm Rail : 49.5 mm



	Part #	Description	Std. Pack	UOM	List Price in	Group
TERMINAL BLOCK	CXDLG2.5	2.5 mm ² FEED THRU + GRND SPRING CLAMP TB	50	EA	97.70	A
ACCESSORIES	EPCXDL2.5	END PLATE FOR CXDL2.5 SERIES	50	EA	10.40	A
	JX2.5/2	SHORTING LNK FR 5mm WIDE SPRING CLAMP TB	100	EA	9.50	A
	JX2.5/3	SHORTING LNK FR 5mm WIDE SPRING CLAMP TB	50	EA	16.50	A
	JX2.5/4	SHORTING LNK FR 5mm WIDE SPRING CLAMP TB	50	EA	28.20	A
	JX2.5/10	SHORTING LNK FR 5mm WIDE SPRING CLAMP TB	10	EA	73.00	A
	CA509/K5WHT	5 mm WIDE MARKER BLANK	1	PKT	81.50	B
	CA509/K5WP	5 mm WIDE MARKER PRINTED	1	PKT	93.10	B

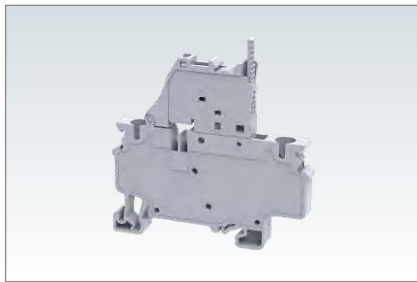
CX SERIES SPRING CLAMP TERMINAL BLOCKS



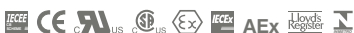
Wire Range : 0.2 - 2.5 mm²
 Dimensions Width (Thickness) x Length : 5 x 72.7 mm
 Height with Din 35 x 7.5 mm Rail : 49.5 mm



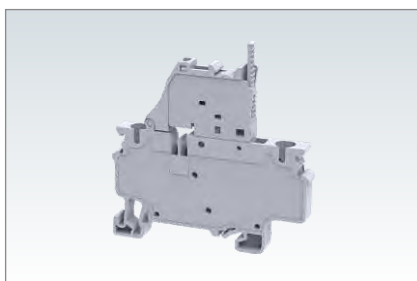
	Part #	Description	Std. Pack	UOM	List Price in	Group
TERMINAL BLOCK	CXDL2.5(I.S)	2.5 mm ² 2 LEVEL SPRING CLAMP GROUND TB	50	EA	111.50	A
ACCESSORIES	EPCXDL2.5	END PLATE FOR CXDL2.5 SERIES	50	EA	10.40	A
	JX2.5/2	SHORTING LNK FR 5mm WIDE SPRING CLAMP TB	100	EA	9.50	A
	JX2.5/3	SHORTING LNK FR 5mm WIDE SPRING CLAMP TB	50	EA	16.50	A
	JX2.5/4	SHORTING LNK FR 5mm WIDE SPRING CLAMP TB	50	EA	28.20	A
	JX2.5/10	SHORTING LNK FR 5mm WIDE SPRING CLAMP TB	10	EA	73.00	A
	CA509/K5WHT	5 mm WIDE MARKER BLANK	1	PKT	81.50	B
CA509/K5WP	5 mm WIDE MARKER PRINTED	1	PKT	93.10	B	



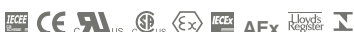
Wire Range : 0.2 - 4.0 mm²
 Current (A) : 10 A
 Voltage (V) : 1000 V
 Dimensions Width (Thickness) x Length : 6 x 65.4 mm
 Height with Din 35 x 7.5 mm Rail : 69.1 mm



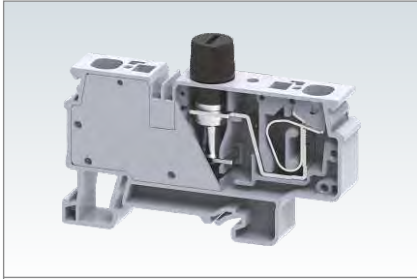
	Part #	Description	Std. Pack	UOM	List Price in	Group
TERMINAL BLOCK	CXF4	4mm ² Ø5X20mm SPRING CLAMP FUSE TB	50	EA	63.20	A
	CXF4BU	4mm ² Ø5X20mm SPRING CLAMP FUSE TB BLU	50	EA	69.50	A
	CXF4BK	4mm ² Ø5X20mm SPRING CLAMP FUSE TB BLK	50	EA	69.50	A
ACCESSORIES	PPCX4/3	PARTITION PLATE FOR CX2.5 & CX4 SERIES	50	EA	10.60	A
	JX4/2	SHORTING LNK FR 5mm WIDE SPRING CLAMP TB	100	EA	16.20	A
	JX4/3	SHORTING LNK FR 5mm WIDE SPRING CLAMP TB	50	EA	27.80	A
	JX4/4	SHORTING LNK FR 5mm WIDE SPRING CLAMP TB	50	EA	41.80	A
	JX4/10	SHORTING LNK FR 5mm WIDE SPRING CLAMP TB	10	EA	97.50	A
	CA509/K6WHT	6 mm WIDE MARKER BLANK	1	PKT	81.50	B
	CA509/K6WP	6 mm WIDE MARKER PRINTED	1	PKT	93.10	B



Wire Range : 0.2 - 4.0 mm²
 Current (A) : 10 A
 Voltage (V) : 1000 V
 Dimensions Width (Thickness) x Length : 6 x 65.4 mm
 Height with Din 35 x 7.5 mm Rail : 69.1 mm



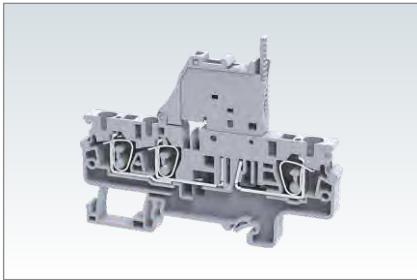
	Part #	Description	Std. Pack	UOM	List Price in	Group
TERMINAL BLOCK	CXF4L6-60V	4mm ² Ø5X20mm SPRING CLMP FUSE TB 6-60V	50	EA	83.20	A
	CXF4L6-60VBK	4mm ² Ø5X20mm SP CL FUSE TB 6-60V BLK	50	EA	91.50	A
	CXF4L6-60VBU	4mm ² Ø5X20mm SP CL FUSE TB 6-60V BLU	50	EA	91.50	A
	CXF4L110-240V	4mm ² Ø5X20mm SPRING CL FUSE TB110-240V	50	EA	83.20	A
	CXF4L110-240VBK	4mm ² Ø5X20mm SP CL FUSE TB 110-240V BLK	50	EA	91.50	A
	CXF4L110-240VBU	4mm ² Ø5X20mm SP CL FUSE TB 110-240V BLU	50	EA	91.50	A
ACCESSORIES	PPCX4/3	PARTITION PLATE FOR CX2.5 & CX4 SERIES	50	EA	10.60	A
	JX4/2	SHORTING LNK FR 5mm WIDE SPRING CLAMP TB	100	EA	16.20	A
	JX4/3	SHORTING LNK FR 5mm WIDE SPRING CLAMP TB	50	EA	27.80	A
	JX4/4	SHORTING LNK FR 5mm WIDE SPRING CLAMP TB	50	EA	41.80	A
	JX4/10	SHORTING LNK FR 5mm WIDE SPRING CLAMP TB	10	EA	97.50	A
	CA509/K6WHT	6 mm WIDE MARKER BLANK	1	PKT	81.50	B
	CA509/K6WP	6 mm WIDE MARKER PRINTED	1	PKT	93.10	B



Wire Range CXVF CXVF2.5
 I/P Wire 0.2 - 6.0 mm² 0.2 - 6.0 mm²
 O/P Wire 0.2 - 6.0 mm² 0.2 - 2.5 mm²
 Current (A) : 10 A
 Voltage (V) : 800 V
 Dimensions Width
 (Thickness) x Length : 12 x 75 mm
 Height with Din 35 x 7.5 mm Rail : 43 mm



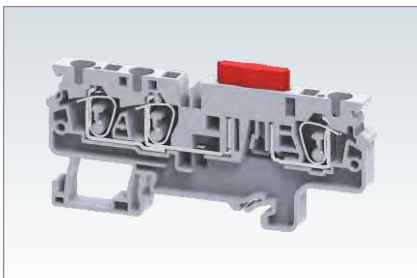
	Part #	Description	Std. Pack	UOM	List Price in	Group
TERMINAL BLOCK	CXVFA	10mm ² Ø5X20mm FUSE SPRING CL TERMINAL	50	EA	219.50	A
	CXVF2.5A	10mm ² /P 2X2.5mm ² O/P Ø5X20mm FUSE SPCLTB	50	EA	211.80	A
ACCESSORIES	JX4/4	4 POLE SHRT LNK FR 6MM WIDE SP CL TB	50	EA	41.80	A
	JX4/8	8 POLE SHRT LNK FR 6MM WIDE SP CL TB	10	EA	69.60	A
	JX4/10	10 POLE SHRT LNK FR 6MM WIDE SP CL TB	10	EA	97.50	A
	CA509/K12WHT	12 mm WIDE MARKER BLANK	1	PKT	119.60	B
	CA509/K12WHP	12 mm WIDE MARKER PRINTED	1	PKT	132.90	B



Wire Range : 0.2 - 4.0 mm²
 Current (A) : 10 A
 Voltage (V) : 1000 V
 Dimensions Width
 (Thickness) x Length : 6 x 86.2 mm
 Height with
 Din 35 x 7.5 mm Rail : 69.1 mm



	Part #	Description	Std. Pack	UOM	List Price in	Group
TERMINAL BLOCK	CXF4/3	4mm ² Ø5X20mm SPRING CLAMP FUSE 3 WIR	50	EA	100.70	A
	CXF4/3L6-60V	4 mm ² Ø5X20mm SP CL FUSE 3W TB 11	50	EA	130.90	A
	CXF4/3L110-240V	4 mm ² Ø5X20mm SP CL FUSE 3 WIRE T	50	EA	130.90	A
ACCESSORIES	JX4/2	SHORTING LNK FR 5mm WIDE SPRING CLAMP TB	100	EA	16.20	A
	JX4/3	SHORTING LNK FR 5mm WIDE SPRING CLAMP TB	50	EA	27.80	A
	JX4/4	SHORTING LNK FR 5mm WIDE SPRING CLAMP TB	50	EA	41.80	A
	JX4/10	SHORTING LNK FR 5mm WIDE SPRING CLAMP TB	10	EA	97.50	A
	CA509/K6WHT	6 mm WIDE MARKER BLANK	1	PKT	81.50	B
	CA509/K6WHP	6 mm WIDE MARKER PRINTED	1	PKT	93.10	B





Wire Range : 0.2 - 4.0 mm²
 Current (A) : 10 A
 Voltage (V) : 1000 V
 Dimensions Width
 (Thickness) x Length : 6 x 86.2 mm
 Height with
 Din 35 x 7.5 mm Rail : 43.2 mm



	Part #	Description	Std. Pack	UOM	List Price in	Group
TERMINAL BLOCK	CXAF4/3	4mm ² SPRING CLAMP AUTOMOTIVE FUSE 3W	50	EA	180.20	A
ACCESSORIES	JX4/2	SHORTING LNK FR 5mm WIDE SPRING CLAMP TB	100	EA	16.20	A
	JX4/3	SHORTING LNK FR 5mm WIDE SPRING CLAMP TB	50	EA	27.80	A
	JX4/4	SHORTING LNK FR 5mm WIDE SPRING CLAMP TB	50	EA	41.80	A
	JX4/10	SHORTING LNK FR 5mm WIDE SPRING CLAMP TB	10	EA	97.50	A
	CA509/K6WHT	6 mm WIDE MARKER BLANK	1	PKT	81.50	B
	CA509/K6WHP	6 mm WIDE MARKER PRINTED	1	PKT	93.10	B

CX SERIES SPRING CLAMP TERMINAL BLOCKS

CXM2.5
CXMG2.5

Wire Range : 0.2 - 2.5 mm²
 Current (A) : 24 A
 Voltage (V) : 1000 V
 Dimensions Width (Thickness) x Length : 5 x 37 mm
 Height with Din 15 mm Rail : 35 mm




	Part #	Description	Std. Pack	UOM	List Price in	Group
TERMINAL BLOCK	CXM2.5	2.5 mm ² MINIATURE SPRING CLAMP TB	100	EA	12.20	A
	CXM2.5BU	2.5 mm ² MINIATURE SPRING CLAMP TB BLUE	100	EA	13.40	A
	CXM2.5BK	2.5 mm ² MINIATURE SPRING CLAMP TB BLACK	100	EA	13.40	A
	CXMG2.5	2.5mm ² SP CL GROUND TB FR DIN15 RAIL	100	EA	48.80	A
ACCESSORIES	EPCXM2.5	END PLATE FOR CXM2.5	50	EA	5.80	A
	JX2.5/2	SHORTING LNK FR 5mm WIDE SPRING CLAMP TB	100	EA	9.50	A
	JX2.5/3	SHORTING LNK FR 5mm WIDE SPRING CLAMP TB	50	EA	16.50	A
	JX2.5/4	SHORTING LNK FR 5mm WIDE SPRING CLAMP TB	50	EA	28.20	A
	JX2.5/10	SHORTING LNK FR 5mm WIDE SPRING CLAMP TB	10	EA	73.00	A
	MS5WHT	5 MM WIDE MARKER (STRIP) BLANK	1	PKT	77.90	A
	MS5WP	5 MM WIDE MARKER (STRIP) PRINTED	1	PKT	88.90	A



Wire Range : 0.2 - 2.5 mm²
 Current : 24 A
 Voltage : 800 V
 Dimensions Width (Thickness) x Length : 5 x 31 mm
 Height with Din 35 x 7.5 mm Rail : 30.15 mm

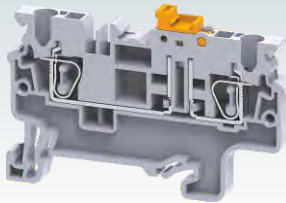















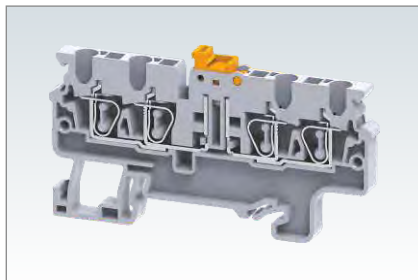
	Part #	Description	Std. Pack	UOM	List Price in	Group
TERMINAL BLOCK	CMS2.5	2.5 mm ² SPRING CL TB FOR DIN15 RAIL	100	EA	12.20	A
ACCESSORIES	EPCMS2.5	END PLATE FOR CMS2.5	50	EA	5.70	A
	CA509/K5WHT	5 mm WIDE MARKER BLANK	1	PKT	81.50	B
	CA509/K5WP	5 mm WIDE MARKER PRINTED	1	PKT	93.10	B



Wire Range : 0.2 - 2.5 mm²
 Current (A) : 20 A
 Voltage (V) : 1000 V
 Dimensions Width (Thickness) x Length : 5 x 62.2 mm
 Height with Din 35 x 7.5 mm Rail : 42.3 mm

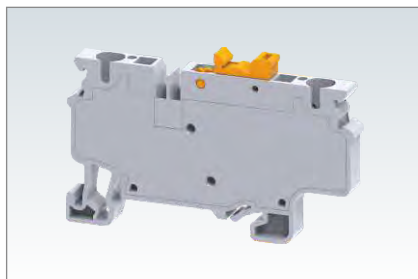
	Part #	Description	Std. Pack	UOM	List Price in	Group
TERMINAL BLOCK	CXK2.5	2.5mm ² 2 WIRE KNIFE DISCON SPRING CL TB	100	EA	43.50	A
	CXK2.5BU	2.5mm ² 2 WIRE KNIFE DISCON SP CL BLUE	100	EA	47.80	A
ACCESSORIES	EPCX2.5/3	PARTITION PLATE FOR CX2.5 & CX4 SERIES	50	EA	7.10	A
	PPCX4/3	PARTITION PLATE FOR CX2.5/3&CX4/3 SERIES	50	EA	10.60	A
	JX2.5/2	SHORTING LNK FR 5mm WIDE SPRING CLAMP TB	100	EA	9.50	A
	JX2.5/3	SHORTING LNK FR 5mm WIDE SPRING CLAMP TB	50	EA	16.50	A
	JX2.5/4	SHORTING LNK FR 5mm WIDE SPRING CLAMP TB	50	EA	28.20	A
	JX2.5/10	SHORTING LNK FR 5mm WIDE SPRING CLAMP TB	10	EA	73.00	A
	CA509/K5WHT	5 mm WIDE MARKER BLANK	1	PKT	81.50	B
CA509/K5WP	5 mm WIDE MARKER PRINTED	1	PKT	93.10	B	



Wire Range : 0.2 - 2.5 mm²
 Current (A) : 20 A
 Voltage (V) : 1000 V
 Dimensions Width (Thickness) x Length : 5 x 74.7 mm
 Height with Din 35 x 7.5 mm Rail : 42.3 mm



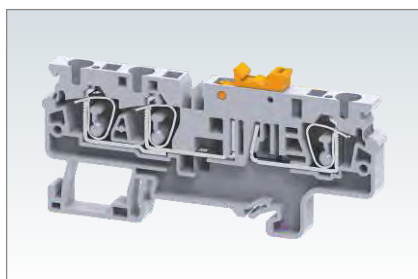
	Part #	Description	Std. Pack	UOM	List Price in	Group
TERMINAL BLOCK	CXK2.5/4	2.5mm ² 4 WIRE KNIFE DISCON SPRING CL TB	50	EA	56.00	A
	CXK2.5/4BU	2.5mm ² 4 WIRE KNIFE DISCON SP CL TB BLUE	50	EA	61.60	A
ACCESSORIES	EPCX2.5/4	END PLATE FOR CX2.5/4&CXK2.5/4&CXG2.5/4	50	EA	7.40	A
	PPCX4/4	PARTITION PLATE FOR CX2.5/4&CX4/4 SERIES	50	EA	14.10	A
	JX2.5/2	SHORTING LNK FR 5mm WIDE SPRING CLAMP TB	100	EA	9.50	A
	JX2.5/3	SHORTING LNK FR 5mm WIDE SPRING CLAMP TB	50	EA	16.50	A
	JX2.5/4	SHORTING LNK FR 5mm WIDE SPRING CLAMP TB	50	EA	28.20	A
	JX2.5/10	SHORTING LNK FR 5mm WIDE SPRING CLAMP TB	10	EA	73.00	A
	CA509/K5WHT	5 mm WIDE MARKER BLANK	1	PKT	81.50	B
CA509/K5WP	5 mm WIDE MARKER PRINTED	1	PKT	93.10	B	



Wire Range : 0.2 - 4.0 mm²
 Current (A) : 22 A
 Voltage (V) : 1000 V
 Dimensions Width (Thickness) x Length : 6 x 65.7 mm
 Height with Din 35 x 7.5 mm Rail : 42.6 mm



	Part #	Description	Std. Pack	UOM	List Price in	Group
TERMINAL BLOCK	CXK4	4mm ² 2 WIRE KNIFE DISCON SPRING CL TB	50	EA	83.40	A
	CXK4BU	4mm ² 2 WIRE KNIFE DISCON SP CL TB BLUE	50	EA	91.70	A
ACCESSORIES	JX4/2	SHORTING LNK FR 5mm WIDE SPRING CLAMP TB	100	EA	16.20	A
	JX4/3	SHORTING LNK FR 5mm WIDE SPRING CLAMP TB	50	EA	27.80	A
	JX4/4	SHORTING LNK FR 5mm WIDE SPRING CLAMP TB	50	EA	41.80	A
	JX4/10	SHORTING LNK FR 5mm WIDE SPRING CLAMP TB	10	EA	97.50	A
	CA509/K6WHT	6 mm WIDE MARKER BLANK	1	PKT	81.50	B
	CA509/K6WP	6 mm WIDE MARKER PRINTED	1	PKT	93.10	B

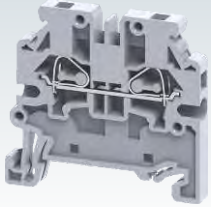


Wire Range : 0.2 - 4.0 mm²
 Current (A) : 22 A
 Voltage (V) : 1000 V
 Dimensions Width (Thickness) x Length : 6 x 86.2 mm
 Height with Din 35 x 7.5 mm Rail : 42.6 mm






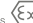





	Part #	Description	Std. Pack	UOM	List Price in	Group
TERMINAL BLOCK	CXK4/3	4 mm ² 3 WIRE KNIFE DISCON SPRING	50	EA	132.00	A
ACCESSORIES	EPCX4/4	END PLATE FOR CX4/4 & CXG4/4	50	EA	10.20	A
	JX4/2	SHORTING LNK FR 5mm WIDE SPRING CLAMP TB	100	EA	16.20	A
	JX4/3	SHORTING LNK FR 5mm WIDE SPRING CLAMP TB	50	EA	27.80	A
	JX4/4	SHORTING LNK FR 5mm WIDE SPRING CLAMP TB	50	EA	41.80	A
	JX4/10	SHORTING LNK FR 5mm WIDE SPRING CLAMP TB	10	EA	97.50	A
	CA509/K6WHT	6 mm WIDE MARKER BLANK	1	PKT	81.50	B
	CA509/K6WP	6 mm WIDE MARKER PRINTED	1	PKT	93.10	B

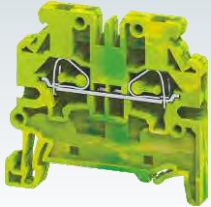
CX SERIES SPRING CLAMP TERMINAL BLOCKS








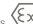



Wire Range : 0.2 - 2.5 mm²
 Current (A) : 24 A
 Voltage (V) : 1000 V
 Dimensions Width (Thickness) x Length : 5 x 45.9 mm
 Height with Din 35 x 7.5 mm Rail : 43.5 mm

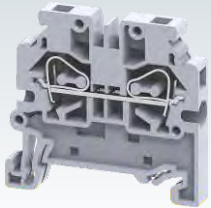
	Part #	Description	Std. Pack	UOM	List Price in	Group
TERMINAL BLOCK	CXS2.5	2.5mm ² FD THRU SIDE ENTRY SPRING CLMP TB	50	EA	10.40	A
	CXS2.5BU	2.5mm ² FD THRU SIDE ENTRY SPRING CL BLUE	50	EA	11.40	A
	CXS2.5BK	2.5mm ² FD THRU SIDE ENTRY SP CL BLACK	50	EA	11.40	A
	CXS2.5R	2.5mm ² FD THRU SIDE ENTRY SP CL RED	50	EA	11.40	A
	CXS2.5Y	2.5mm ² FD THRU SIDE ENTRY SP CL YELLOW	50	EA	11.40	A
	CXS2.5GN	2.5mm ² FD THRU SIDE ENTRY SP CL GREEN	50	EA		A
ACCESSORIES	EPCXS2.5	END PLATE FOR CXS2.5 & CXSG2.5	50	EA	4.80	A
	JX2.5/2	SHORTING LNK FR 5mm WIDE SPRING CLAMP TB	100	EA	9.50	A
	JX2.5/3	SHORTING LNK FR 5mm WIDE SPRING CLAMP TB	50	EA	16.50	A
	JX2.5/4	SHORTING LNK FR 5mm WIDE SPRING CLAMP TB	50	EA	28.20	A
	JX2.5/10	SHORTING LNK FR 5mm WIDE SPRING CLAMP TB	10	EA	73.00	A
	CA509/K5WHT	5 mm WIDE MARKER BLANK	1	PKT	81.50	B
	CA509/K5WP	5 mm WIDE MARKER PRINTED	1	PKT	93.10	B








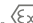
Wire Range : 0.2 - 2.5 mm²
 Dimensions Width (Thickness) x Length : 5 x 45.9 mm
 Height with Din 35 x 7.5 mm Rail : 43.5 mm

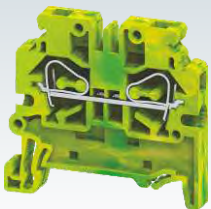
	Part #	Description	Std. Pack	UOM	List Price in	Group
TERMINAL BLOCK	CXSG2.5	2.5mm ² SIDE ENTRY SPRING CLAMP GROUND TB	50	EA	85.90	A
ACCESSORIES	EPCXS2.5	END PLATE FOR CXS2.5 & CXSG2.5	50	EA	4.80	A
	JX2.5/2	SHORTING LNK FR 5mm WIDE SPRING CLAMP TB	100	EA	9.50	A
	JX2.5/3	SHORTING LNK FR 5mm WIDE SPRING CLAMP TB	50	EA	16.50	A
	JX2.5/4	SHORTING LNK FR 5mm WIDE SPRING CLAMP TB	50	EA	28.20	A
	JX2.5/10	SHORTING LNK FR 5mm WIDE SPRING CLAMP TB	10	EA	73.00	A
	CA509/K5WHT	5 mm WIDE MARKER BLANK	1	PKT	81.50	B
	CA509/K5WP	5 mm WIDE MARKER PRINTED	1	PKT	93.10	B




Wire Range : 0.2 - 4.0 mm²
 Current (A) : 32 A
 Voltage (V) : 1000 V
 Dimensions Width (Thickness) x Length : 6 x 45.9 mm
 Height with Din 35 x 7.5 mm Rail : 43.5 mm

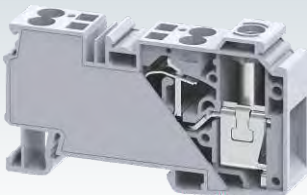
	Part #	Description	Std. Pack	UOM	List Price in	Group
TERMINAL BLOCK	CXS4	4mm ² FD THRU SIDE ENTRY SPRING CLMP TB	100	EA	16.50	A
	CXS4BU	4mm ² FD THRU SIDE ENTRY SPRING CL BLUE	100	EA	18.10	A
	CXS4BK	4mm ² FD THRU SIDE ENTRY SP CL BLACK	100	EA	18.10	A
	CXS4R	4mm ² FD THRU SIDE ENTRY SP CL RED	100	EA	18.10	A
	CXS4Y	4mm ² FD THRU SIDE ENTRY SP CL YELLOW	500	EA		A
	CXS4GN	4mm ² FD THRU SIDE ENTRY SP CL GREEN	100	EA	18.10	A
ACCESSORIES	EPCXS2.5	END PLATE FOR CXS2.5 & CXSG2.5	50	EA	4.80	A
	JX4/2	SHORTING LNK FR 5mm WIDE SPRING CLAMP TB	100	EA	16.20	A
	JX4/3	SHORTING LNK FR 5mm WIDE SPRING CLAMP TB	50	EA	27.80	A
	JX4/4	SHORTING LNK FR 5mm WIDE SPRING CLAMP TB	50	EA	41.80	A
	JX4/10	SHORTING LNK FR 5mm WIDE SPRING CLAMP TB	10	EA	97.50	A
	CA509/K6WHT	6 mm WIDE MARKER BLANK	1	PKT	81.50	B
	CA509/K6WP	6 mm WIDE MARKER PRINTED	1	PKT	93.10	B




Wire Range : 0.2 - 4.0 mm²
 Dimensions Width (Thickness) x Length : 6 x 45.9 mm
 Height with Din 35 x 7.5 mm Rail : 43.5 mm



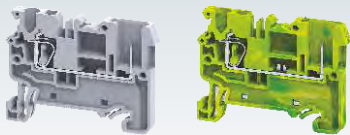
	Part #	Description	Std. Pack	UOM	List Price in	Group
TERMINAL BLOCK	CXSG4	4mm ² SIDE ENTRY SPRING CLAMP GROUND TB	100	EA	104.10	A
ACCESSORIES	EPCXS2.5	END PLATE FOR CXS2.5 & CXSG2.5	50	EA	4.80	A
	JX4/2	SHORTING LNK FR 5mm WIDE SPRING CLAMP TB	100	EA	16.20	A
	JX4/3	SHORTING LNK FR 5mm WIDE SPRING CLAMP TB	50	EA	27.80	A
	JX4/4	SHORTING LNK FR 5mm WIDE SPRING CLAMP TB	50	EA	41.80	A
	JX4/10	SHORTING LNK FR 5mm WIDE SPRING CLAMP TB	10	EA	97.50	A
	CA509/K6WHT	6 mm WIDE MARKER BLANK	1	PKT	81.50	B
	CA509/K6WP	6 mm WIDE MARKER PRINTED	1	PKT	93.10	B



Wire Range Input : 1.5 - 35.0 mm²
 Wire Range Output : 0.2 - 10.0 mm²
 Current IP / OP : 125 A / 41 A
 Voltage (V) : 1000 V
 Dimensions Width (Thickness) x Length : 16 x 81.6 mm
 Height with Din 35 x 7.5 mm Rail : 46.8 mm




	Part #	Description	Std. Pack	UOM	List Price in	Group
TERMINAL BLOCK	CXDB35/10	1X35mm ² I/P 4X10mm ² O/P HYBRID TERMINAL	20	EA	190.50	A
	JX6/2	SHORTING LNK FR 8mm WIDE SPRING CLAMP TB	100	EA	24.50	A
	JX6/3	SHORTING LNK FR 8mm WIDE SPRING CLAMP TB	50	EA	41.80	A
	JX6/4	SHORTING LNK FR 8mm WIDE SPRING CLAMP TB	50	EA	58.50	A
	JX6/10	SHORTING LNK FR 8mm WIDE SPRING CLAMP TB	10	EA	139.20	A
	CA509/K8WHT	8 mm WIDE MARKER BLANK	1	PKT	93.10	B
ACCESSORIES	CA509/K8WP	8 mm WIDE MARKER PRINTED	1	PKT	106.30	B
	CA509/K16WHT	16 mm WIDE MARKER BLANK	1	PKT	119.60	B
	CA509/K16WP	16 mm WIDE MARKER PRINTED	1	PKT	134.60	B



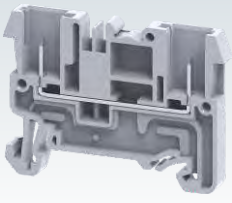
CX2.5/1B CXG2.5/1B

Wire Range : 0.2 - 2.5 mm²
 Current (A) : 24 A
 Voltage (V) : 500 V
 Dimensions Width (Thickness) x Length : 5 x 50.8 mm
 Height with Din 35 x 7.5 mm Rail : 38.2 mm







	Part #	Description	Std. Pack	UOM	List Price in	Group
TERMINAL BLOCK	CX2.5/1B	2.5 mm ² PLUGABLE SPRNG CL FD THRU TB	100	EA	24.70	A
	CXG2.5/1B	2.5 mm ² PLUGABLE SPRING CLAMP GROUND	100	EA	86.40	A
ACCESSORIES	EPCX2.5	END PLATE FOR CX2.5/CXG2.5	50	EA	5.70	A
	JX2.5/2	SHORTING LNK FR 5mm WIDE SPRING CLAMP TB	100	EA	9.50	A
	JX2.5/3	SHORTING LNK FR 5mm WIDE SPRING CLAMP TB	50	EA	16.50	A
	JX2.5/4	SHORTING LNK FR 5mm WIDE SPRING CLAMP TB	50	EA	28.20	A
	JX2.5/10	SHORTING LNK FR 5mm WIDE SPRING CLAMP TB	10	EA	73.00	A
	CA509/K5WHT	5 mm WIDE MARKER BLANK	1	PKT	81.50	B
	CA509/K5WP	5 mm WIDE MARKER PRINTED	1	PKT	93.10	B

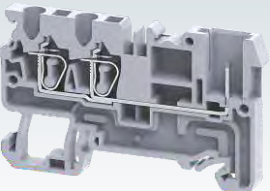
CX SERIES SPRING CLAMP TERMINAL BLOCKS







Wire Range : 0.2 - 2.5 mm²
 Current (A) : 24 A
 Voltage (V) : 500 V
 Dimensions Width (Thickness) x Length : 5 x 51.2 mm
 Height with Din 35 x 7.5 mm Rail : 38.2 mm

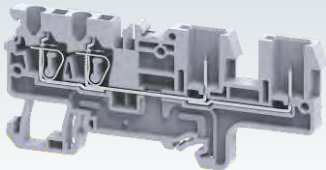
	Part #	Description	Std. Pack	UOM	List Price in	Group
TERMINAL BLOCK	CX2.5/2B	2.5 mm ² PLUGABLE FEED THRU TERMINAL	100	EA	23.10	A
	CXG2.5/2B	UD-2.5 mm ² PLUGABLE GROUND TERMINAL	100	EA	84.70	A
ACCESSORIES	EPCX2.5	END PLATE FOR CX2.5/CXG2.5	50	EA	5.70	A
	PPCX4	PARTITION PLATE FOR CX4	50	EA	8.60	A
	JX2.5/2	SHORTING LNK FR 5mm WIDE SPRING CLAMP TB	100	EA	9.50	A
	JX2.5/3	SHORTING LNK FR 5mm WIDE SPRING CLAMP TB	50	EA	16.50	A
	JX2.5/4	SHORTING LNK FR 5mm WIDE SPRING CLAMP TB	50	EA	28.20	A
	JX2.5/10	SHORTING LNK FR 5mm WIDE SPRING CLAMP TB	10	EA	73.00	A
	CA509/K5WHT	5 mm WIDE MARKER BLANK	1	PKT	81.50	B
CA509/K5WP	5 mm WIDE MARKER PRINTED	1	PKT	93.10	B	







Wire Range : 0.2 - 2.5 mm²
 Current (A) : 24 A
 Voltage (V) : 500 V
 Dimensions Width (Thickness) x Length : 5 x 63 mm
 Height with Din 35 x 7.5 mm Rail : 38.2 mm

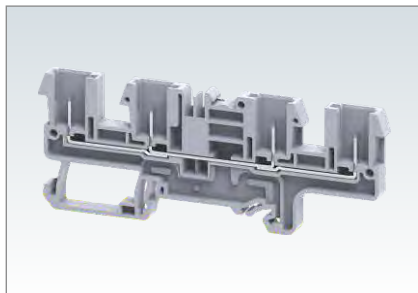
	Part #	Description	Std. Pack	UOM	List Price in	Group
TERMINAL BLOCK	CX2.5/3/1B	2.5mm ² 3 WIRE 1 PLUGABLE SP CL FD THR TB	100	EA	32.10	A
	CXG2.5/3/1B	2.5 mm ² 3 WIRE PLUGABLE SP CL GROUND TB	100	EA	105.10	A
ACCESSORIES	EPCX2.5/3	END PLATE FOR CX2.5/3 & CXG2.5/3	50	EA	7.10	A
	PPCX4/3	PARTITION PLATE FOR CX4/3	50	EA	10.60	A
	JX2.5/2	SHORTING LNK FR 5mm WIDE SPRING CLAMP TB	100	EA	9.50	A
	JX2.5/3	SHORTING LNK FR 5mm WIDE SPRING CLAMP TB	50	EA	16.50	A
	JX2.5/4	SHORTING LNK FR 5mm WIDE SPRING CLAMP TB	50	EA	28.20	A
	JX2.5/10	SHORTING LNK FR 5mm WIDE SPRING CLAMP TB	10	EA	73.00	A
	CA509/K5WHT	5 mm WIDE MARKER BLANK	1	PKT	81.50	B
CA509/K5WP	5 mm WIDE MARKER PRINTED	1	PKT	93.10	B	



Wire Range : 0.2 - 2.5 mm²
 Current (A) : 24 A
 Voltage (V) : 500 V
 Dimensions Width (Thickness) x Length : 5 x 86 mm
 Height with Din 35 x 7.5 mm Rail : 45.7 mm

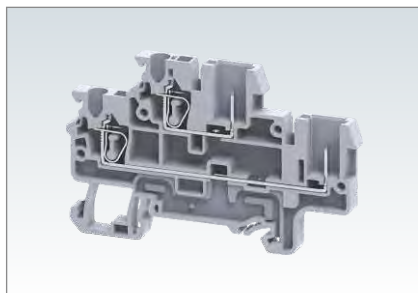
	Part #	Description	Std. Pack	UOM	List Price in	Group
TERMINAL BLOCK	CX2.5/4/2B	2.5 mm ² 4 WIRE PLUGABLE SP CL TB	50	EA	37.60	A
	CX2.5/4/2B	2.5 mm ² 4 WIRE PLUGABLE SP CL GN TB	50	EA	37.60	A
	CXG2.5/4/2B	2.5 mm ² 4 WIRE PLUGABLE SP CL GRO	50	EA	121.00	A
ACCESSORIES	EPCX2.5/4/2B	END PLATE FOR CX2.5/4/2B	50	EA	13.00	A
	JX2.5/2	SHORTING LNK FR 5mm WIDE SPRING CLAMP TB	100	EA	9.50	A
	JX2.5/3	SHORTING LNK FR 5mm WIDE SPRING CLAMP TB	50	EA	16.50	A
	JX2.5/4	SHORTING LNK FR 5mm WIDE SPRING CLAMP TB	50	EA	28.20	A
	JX2.5/10	SHORTING LNK FR 5mm WIDE SPRING CLAMP TB	10	EA	73.00	A
	CA509/K5WHT	5 mm WIDE MARKER BLANK	1	PKT	81.50	B
	CA509/K5WP	5 mm WIDE MARKER PRINTED	1	PKT	93.10	B



Wire Range : 0.2 - 2.5 mm²
 Current (A) : 24 A
 Voltage (V) : 500 V
 Dimensions Width (Thickness) x Length : 5 x 97.3 mm
 Height with Din 35 x 7.5 mm Rail : 45.7 mm



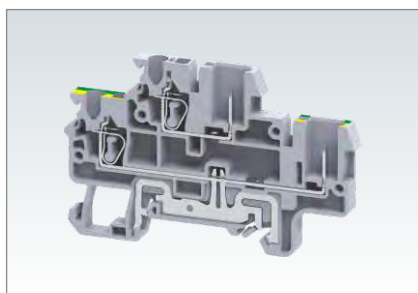
	Part #	Description	Std. Pack	UOM	List Price in	Group
TERMINAL BLOCK	CX2.5/4/4B	2.5 mm ² 4 WIRE PLUGABLE FEED THRU TB	50	EA	31.80	A
	CXG2.5/4/4B	2.5 mm ² 4 WIRE PLUGABLE GROUND TB	50	EA	116.60	A
ACCESSORIES	EPCX2.5/4/4B	END PLATE FOR CX2.5/4/4B	50	EA	15.60	A
	JX2.5/2	SHORTING LNK FR 5mm WIDE SPRING CLAMP TB	100	EA	9.50	A
	JX2.5/3	SHORTING LNK FR 5mm WIDE SPRING CLAMP TB	50	EA	16.50	A
	JX2.5/4	SHORTING LNK FR 5mm WIDE SPRING CLAMP TB	50	EA	28.20	A
	JX2.5/10	SHORTING LNK FR 5mm WIDE SPRING CLAMP TB	10	EA	73.00	A
	CA509/K5WHT	5 mm WIDE MARKER BLANK	1	PKT	81.50	B
	CA509/K5WP	5 mm WIDE MARKER PRINTED	1	PKT	93.10	B



Wire Range : 0.2 - 2.5 mm²
 Current (A) : 24 A
 Voltage (V) : 500 V
 Dimensions Width (Thickness) x Length : 5 x 78 mm
 Height with Din 35 x 7.5 mm Rail : 49.5 mm



	Part #	Description	Std. Pack	UOM	List Price in	Group
TERMINAL BLOCK	CXDL2.5/2B	2.5 mm ² 2 LEVEL PLUGABLE SP CL TB	50	EA	58.80	A
ACCESSORIES	EPCXDL2.5/2B	END PLATE FOR CXDL2.5/2B	50	EA	15.60	A
	JX2.5/2	SHORTING LNK FR 5mm WIDE SPRING CLAMP TB	100	EA	9.50	A
	JX2.5/3	SHORTING LNK FR 5mm WIDE SPRING CLAMP TB	50	EA	16.50	A
	JX2.5/4	SHORTING LNK FR 5mm WIDE SPRING CLAMP TB	50	EA	28.20	A
	JX2.5/10	SHORTING LNK FR 5mm WIDE SPRING CLAMP TB	10	EA	73.00	A
	CA509/K5WHT	5 mm WIDE MARKER BLANK	1	PKT	81.50	B
	CA509/K5WP	5 mm WIDE MARKER PRINTED	1	PKT	93.10	B

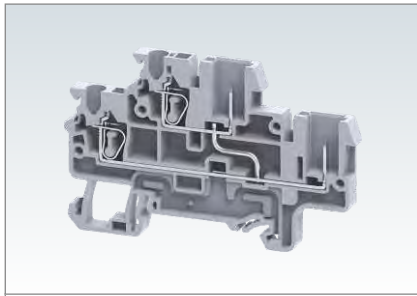


Wire Range : 0.2 - 2.5 mm²
 Current (A) : 24 A
 Voltage (V) : 500 V
 Dimensions Width (Thickness) x Length : 5 x 78 mm
 Height with Din 35 x 7.5 mm Rail : 49.5 mm



	Part #	Description	Std. Pack	UOM	List Price in	Group
TERMINAL BLOCK	CXDLG2.5/2B	2.5 mm ² 2 LEVEL PLUGGABLE SP CL GN TB	50	EA	178.60	A
ACCESSORIES	EPCXDL2.5/2B	END PLATE FOR CXDL2.5/2B	50	EA	15.60	A
	JX2.5/2	SHORTING LNK FR 5mm WIDE SPRING CLAMP TB	100	EA	9.50	A
	JX2.5/3	SHORTING LNK FR 5mm WIDE SPRING CLAMP TB	50	EA	16.50	A
	JX2.5/4	SHORTING LNK FR 5mm WIDE SPRING CLAMP TB	50	EA	28.20	A
	JX2.5/10	SHORTING LNK FR 5mm WIDE SPRING CLAMP TB	10	EA	73.00	A
	CA509/K5WHT	5 mm WIDE MARKER BLANK	1	PKT	81.50	B
	CA509/K5WP	5 mm WIDE MARKER PRINTED	1	PKT	93.10	B

CX SERIES SPRING CLAMP TERMINAL BLOCKS



Wire Range : 0.2 - 2.5 mm²
 Current (A) : 24 A
 Voltage (V) : 500 V
 Dimensions Width (Thickness) x Length : 5 x 78 mm
 Height with Din 35 x 7.5 mm Rail : 49.5 mm



	Part #	Description	Std. Pack	UOM	List Price in	Group
TERMINAL BLOCK	CXDL2.5/2B(I.S)	2.5 mm ² 2 LEVEL PLUGABLE SP CL INT SHRTD TB	50	EA	85.30	A
	CXDLG2.5/2B(I.S)	2.5 mm ² 2 LEVEL PLUGABLE GND TB	50	EA	269.60	A
ACCESSORIES	EPCXDL2.5/2B	END PLATE FOR CXDL2.5/2B	50	EA	15.60	A
	JX2.5/2	SHORTING LNK FR 5mm WIDE SPRING CLAMP TB	100	EA	9.50	A
	JX2.5/3	SHORTING LNK FR 5mm WIDE SPRING CLAMP TB	50	EA	16.50	A
	JX2.5/4	SHORTING LNK FR 5mm WIDE SPRING CLAMP TB	50	EA	28.20	A
	JX2.5/10	SHORTING LNK FR 5mm WIDE SPRING CLAMP TB	10	EA	73.00	A
	CA509/K5WHT	5 mm WIDE MARKER BLANK	1	PKT	81.50	B
	CA509/K5WP	5 mm WIDE MARKER PRINTED	1	PKT	93.10	B



Wire Range : 0.2 - 2.5 mm²
 Current (A) : 24 A
 Voltage (V) : 500 V
 Dimensions Width (Thickness) x Length : 5 x 17.5 mm
 Height : 42 mm




	Part #	Description	Std. Pack	UOM	List Price in	Group
TERMINAL BLOCK	CX2.5PN	2.5 mm ² 1 POLE PLUG SPRING CLAMP TB	50	EA	28.80	A
	CX2.5PLN	2.5 mm ² 1 POLE PLUG SP CL STACK END TB	50	EA	28.80	A
ACCESSORIES	CA509/K5WHT	5 mm WIDE MARKER BLANK	1	PKT	81.50	B
	CA509/K5WP	5 mm WIDE MARKER PRINTED	1	PKT	93.10	B




Wire Range : 0.2 - 2.5 mm²
 Current (A) : 24 A
 Voltage (V) : 500 V
 Dimensions Width (Thickness) x Length : 5 x 18 mm
 Height : 40 mm




	Part #	Description	Std. Pack	UOM	List Price in	Group
TERMINAL BLOCK	CX2.5SN	2.5 mm ² 1 POLE SOCKET SPRING CLAMP TB	50	EA	31.80	A
ACCESSORIES	EPCX2.5SN	END PLATE FOR CX2.5SN	50	EA	5.90	A
	CA509/K5WHT	5 mm WIDE MARKER BLANK	1	PKT	81.50	B
	CA509/K5WP	5 mm WIDE MARKER PRINTED	1	PKT	93.10	B




Wire Range : 0.2 - 2.5 mm²
 Current (A) : 24 A
 Voltage (V) : 500 V
 Dimensions Width (Thickness) x Length : 5 x 17.5 mm
 Height : 42 mm




	Part #	Description	Std. Pack	UOM	List Price in	Group
TERMINAL BLOCK	CP2.5P	2.5 mm ² PLUG ASSLY WITH SHORTING	100	EA	40.40	A
	CP2.5PL	2.5 mm ² PLUG ASSLY WTH SHORTING LAST ELE	100	EA	40.40	A
ACCESSORIES	CA509/K5WHT	5 mm WIDE MARKER BLANK	1	PKT	81.50	B
	CA509/K5WP	CA509/K5-P PRINTED MARKERS WHT	1	PKT	93.10	B




Wire Range : 0.2 - 2.5 mm²
 Current (A) : 24 A
 Voltage (V) : 500 V
 Dimensions Width (Thickness) x Length : 5 x 20.9 mm
 Height : 42 mm




	Part #	Description	Std. Pack	UOM	List Price in	Group
TERMINAL BLOCK	CP2.5PJ	2.5 mm ² PLUG ASSLY WITH SHORTING	50	EA	46.60	A
	CP2.5PJL	2.5 mm ² PLUG ASSLY WTH SHORTING LAST ELE	50	EA	46.60	A
ACCESSORIES	JX2.5/2	2 POLE SHRT LNK FR 5MM WIDE SP CL TB	100	EA	9.50	A
	JX2.5/3	3 POLE SHRT LNK FR 5MM WIDE SP CL TB	50	EA	16.50	A
	JX2.5/4	4 POLE SHRT LNK FR 5MM WIDE SP CL TB	50	EA	28.20	A
	JX2.5/10	10 POLE SHRT LNK FR 5MM WIDE SP CL TB	10	EA	73.00	A
	CA509/K5WHT	5 mm WIDE MARKER BLANK	1	PKT	64.40	B
	CA509/K5WP	CA509/K5-P PRINTED MARKERS WHT	1	PKT	73.50	B












Wire Range : 0.2 - 2.5 mm²
 Current (A) : 20 A
 Voltage (V) : 500 V
 Dimensions Width (Thickness) x Length : 5 x 33 mm
 Height : 42 mm




	Part #	Description	Std. Pack	UOM	List Price in	Group
TERMINAL BLOCK	CP2.5PD	2.5 mm ² DOUBLE PUSH IN PLUG ASSLY	100	EA	54.90	A
	CP2.5PDL	2.5 mm ² DOUBLE PUSH IN PLUG LAST ELEMENT	100	EA	54.90	A
ACCESSORIES	CA509/K5WHT	5 mm WIDE MARKER BLANK	1	PKT	81.50	B
	CA509/K5WP	CA509/K5-P PRINTED MARKERS WHT	1	PKT	93.10	B












Wire Range : 0.2 - 1.5 mm²
 Current (A) : 17 A
 Voltage (V) : 500 V
 Dimensions Width (Thickness) x Length : 5 x 26.5 mm
 Height (Panel Mount) : 18 mm


	Part #	Description	Std. Pack	UOM	List Price in	Group
TERMINAL BLOCK	CM1.5S	1.5 mm ² PANEL MOUNT SPRING CLMP 2 WRE TB	100	EA	6.90	A
	CM1.5SBU	1.5 mm ² PANEL MOUNT SP CL 2 WRE TB BLU	100	EA	7.50	A
	CM1.5SBK	1.5 mm ² PANEL MOUNT SP CL 2 WRE TB BLK	100	EA	7.50	A
	CM1.5SR	1.5 mm ² PANEL MOUNT SP CL 2 WRE TB RED	100	EA	7.50	A
	CM1.5SY	1.5 mm ² PANEL MOUNT SP CL 2 WRE TB YLW	100	EA	7.50	A
	CM1.5SGN	1.5 mm ² PANEL MOUNT SP CL 2 WRE TB GRN	100	EA	7.50	A
	CM1.5SO	1.5 mm ² PANEL MOUNT SP CL 2 WRE TB ORANGE	500	EA	7.50	A
	CM1.5SYG	1.5 mm ² PANEL MOUNT SP CL 2 WRE TB YLW/GRN	100	EA	7.50	A
ACCESSORIES	EPCM1.5S	END PLATE FOR CM1.5S/S2	50	EA	3.60	A
	CA509/K4WHT	5 mm WIDE MARKER BLANK	1	PKT	81.50	B
	CA509/K4WP	5 mm WIDE MARKER PRINTED	1	PKT	93.10	B












Wire Range : 0.2 - 1.5 mm²
 Current (A) : 17 A
 Voltage (V) : 500 V
 Dimensions Width (Thickness) x Length : 8 x 26.5 mm
 Height (Panel Mount) : 18 mm


	Part #	Description	Std. Pack	UOM	List Price in	Group
TERMINAL BLOCK	CM1.5S2	1.5 mm ² PANEL MOUNT SPRING CLMP 4 WRE TB	100	EA	11.90	A
	CM1.5S2BU	1.5 mm ² PANEL MOUNT SP CL 4 WRE BLUE	100	EA	13.00	A
	CM1.5S2BK	1.5 mm ² PANEL MOUNT SP CL 4 WRE BLACK	100	EA	13.00	A
	CM1.5S2R	1.5 mm ² PANEL MOUNT SP CL 4 WRE RED	100	EA	13.00	A
	CM1.5S2Y	1.5 mm ² PANEL MOUNT SP CL 4 WRE YELLOW	100	EA	13.00	A
	CM1.5S2GN	1.5 mm ² PANEL MOUNT SP CL 4 WRE GREEN	100	EA	13.00	A
	CM1.5S2O	1.5 mm ² PANEL MOUNT SP CL 4 WRE ORANGE	500	EA	13.00	A
	CM1.5S2YG	1.5 mm ² PANEL MOUNT SP CL 4 WRE YLW/GRN	100	EA	13.00	A
ACCESSORIES	EPCM1.5S	END PLATE FOR CM1.5S/S2	50	EA	3.60	A
	CA509/K7.5WHT	7.5 mm WIDE MARKER BLANK	1	PKT	81.50	B
	CA509/K7.5WP	7.5 mm WIDE MARKER PRINTED	1	PKT	93.10	B












Wire Range : 0.34 - 2.5 mm²
 Current (A) : 24 A
 Voltage (V) : 500 V
 Dimensions Width (Thickness) x Length : 6 x 30 mm
 Height (Panel Mount) : 20 mm


	Part #	Description	Std. Pack	UOM	List Price in	Group
TERMINAL BLOCK	CM2.5S	2.5 mm ² PANEL MOUNT SPRING CLMP 2 WRE TB	100	EA	8.00	A
	CM2.5SBU	2.5 mm ² PANEL MOUNT SP CL 2 WIRE BLU	100	EA	8.80	A
	CM2.5SBK	2.5 mm ² PANEL MOUNT SP CL 2 WIRE BLK	100	EA	8.80	A
	CM2.5SR	2.5 mm ² PANEL MOUNT SP CL 2 WIRE RED	100	EA	8.80	A
	CM2.5SY	2.5 mm ² PANEL MOUNT SP CL 2 WIRE YLW	100	EA	8.80	A
	CM2.5SGN	2.5 mm ² PANEL MOUNT SP CL 2 WIRE GRN	100	EA	8.80	A
	CM2.5SO	2.5 mm ² PANEL MOUNT SP CL 2 WIRE ORG	500	EA	8.80	A
	CM2.5SYG	2.5 mm ² PANEL MOUNT SP CL 2 WIRE YLW/GRN	100	EA	8.80	A
ACCESSORIES	EPCM2.5S	END PLATE FOR CM2.5S/S2	50	EA	3.90	A
	CA509/K4WHT	5 mm WIDE MARKER BLANK	1	PKT	81.50	B
	CA509/K4WP	5 mm WIDE MARKER PRINTED	1	PKT	93.10	B







Wire Range : 0.34 - 2.5 mm²
 Current (A) : 24 A
 Voltage (V) : 500 V
 Dimensions Width (Thickness) x Length : 10 x 30 mm
 Height (Panel Mount) : 20 mm


	Part #	Description	Std. Pack	UOM	List Price in	Group
TERMINAL BLOCK	CM2.5S2	2.5 mm ² PANEL MOUNT SPRING CLMP 4 WRE TB	100	EA	15.00	A
	CM2.5S2BU	2.5 mm ² PANEL MOUNT SP CL 4 WRE TB BLU	100	EA	16.50	A
	CM2.5S2BK	2.5 mm ² PANEL MOUNT SP CL 4 WRE TB BLK	100	EA	16.50	A
	CM2.5S2R	2.5 mm ² PANEL MOUNT SP CL 4 WRE TB RED	100	EA	16.50	A
	CM2.5S2Y	2.5 mm ² PANEL MOUNT SP CL 4 WRE TB YLW	100	EA	16.50	A
	CM2.5S2GN	2.5 mm ² PANEL MOUNT SP CL 4 WRE TB GRN	100	EA	16.50	A
	CM2.5S2O	2.5 mm ² PANEL MOUNT SP CL 4 WRE TB ORG	500	EA	16.50	A
	CM2.5S2YG	2.5 mm ² PANEL MOUNT SP CL 4 WRE TB YLW/GRN	100	EA	16.50	A
ACCESSORIES	EPCM2.5S	END PLATE FOR CM2.5S/S2	50	EA	3.90	A
	CA509/K7.5WHT	7.5 mm WIDE MARKER BLANK	1	PKT	81.50	B
	CA509/K7.5WP	7.5 mm WIDE MARKER PRINTED	1	PKT	93.10	B







Wire Range : 0.2 - 4.0 mm²
 Current (A) : 32 A
 Voltage (V) : 630 V
 Dimensions Width (Thickness) x Length : 7 x 33.7 mm
 Height (Panel Mount) : 23 mm

	Part #	Description	Std. Pack	UOM	List Price in	Group
TERMINAL BLOCK	CM4S	4mm ² PANEL MOUNT SP CL SIDE ENTRY 2W TB	100	EA	13.20	A
	CM4SBU	4mm ² PANEL MOUNT SP CL SIDE ENTRY 2W BLU	100	EA	14.50	A
	CM4SBK	4mm ² PANEL MOUNT SP CL SIDE ENTRY 2W BLK	100	EA	14.50	A
	CM4SR	4mm ² PANEL MOUNT SP CL SIDE ENTRY 2W RED	100	EA	14.50	A
	CM4SY	4mm ² PANEL MOUNT SP CL SIDE ENTRY 2W YLW	100	EA	14.50	A
	CM4SGN	4mm ² PANEL MOUNT SP CL SIDE ENTRY 2W GRN	100	EA	14.50	A
	CM4SO	4mm ² PANEL MOUNT SP CL SIDE ENTRY 2W ORG	500	EA	14.50	A
	CM4SYG	4mm ² PANEL MNT SP CL SIDE ENTRY 2W YLW/GRN	100	EA	14.50	A
ACCESSORIES	EPCM4S	END PLATE FOR CM4S/S2	50	EA	6.30	A
	CA509/K6WHT	6 mm WIDE MARKER BLANK	1	PKT	81.50	B
	CA509/K6WHP	6 mm WIDE MARKER PRINTED	1	PKT	93.10	B

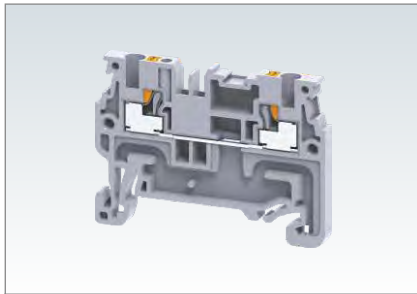


Wire Range : 0.2 - 4.0 mm²
 Current (A) : 32 A
 Voltage (V) : 630 V
 Dimensions Width (Thickness) x Length : 12 x 33.7 mm
 Height (Panel Mount) : 23 mm

	Part #	Description	Std. Pack	UOM	List Price in	Group
TERMINAL BLOCK	CM4S2	4mm ² PANEL MOUNT SP CL SIDE ENTRY 4W TB	100	EA	23.90	A
	CM4S2BU	4mm ² PANEL MOUNT SP CL SIDE ENTRY 4W BLU	100	EA	26.20	A
	CM4S2BK	4mm ² PANEL MOUNT SP CL SIDE ENTRY 4W BLK	100	EA	26.20	A
	CM4S2R	4mm ² PANEL MOUNT SP CL SIDE ENTRY 4W RED	100	EA	26.20	A
	CM4S2Y	4mm ² PANEL MOUNT SP CL SIDE ENTRY 4W YLW	100	EA	26.20	A
	CM4S2GN	4mm ² PANEL MOUNT SP CL SIDE ENTRY 4W GRN	100	EA	26.20	A
	CM4S2O	4mm ² PANEL MOUNT SP CL SIDE ENTRY 4W ORG	500	EA	26.20	A
	CM4S2YG	4mm ² PANEL MNT SP CL SIDE ENTRY 4W YLW/GRN	100	EA	26.20	A
ACCESSORIES	EPCM4S	END PLATE FOR CM4S/S2	50	EA	6.30	A
	CA509/K12WHT	12 mm WIDE MARKER BLANK	1	PKT	119.60	B
	CA509/K12WHP	12 mm WIDE MARKER PRINTED	1	PKT	132.90	B

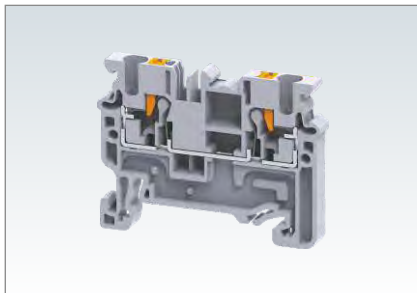
CP SERIES PUSH-IN TERMINAL BLOCKS



Wire Range : 0.2 - 1.5 mm²
 Current (A) : 15 A
 Voltage (V) : 800 V
 Dimensions Width (Thickness) x Length : 3.5 x 45.3 mm
 Height with Din 35 x 7.5 mm Rail : 32.8 mm



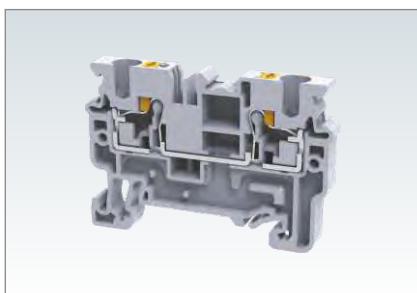
	Part #	Description	Std. Pack	UOM	List Price in	Group
TERMINAL BLOCK	CP1.5	1.5 mm ² FEED THRU PUSH IN TERMINAL BLOCK	100	EA	11.90	A
	CPG1.5	1.5 mm ² FEED THRU PUSH IN GROUND TERMINL	100	EA	62.90	A
ACCESSORIES	EPCP1.5	END PLATE FOR CP1.5	50	EA	5.40	A
	JX1.5/2	2 POLE SHRT LNK FR 3.5MM WIDE SP CL TB	100	EA	8.90	A
	JX1.5/3	3 POLE SHRT LNK FR 3.5MM WIDE SP CL TB	50	EA	15.50	A
	JX1.5/4	4 POLE SHRT LNK FR 3.5MM WIDE SP CL TB	50	EA	28.20	A
	JX1.5/10	10 POLE SHRT LNK FR 3.5MM WIDE SP CL TB	10	EA	72.40	A
	MS3.5WHT	3.5 MM WIDE MARKER (STRIP) BLANK	1	PKT	77.90	A
	MS3.5WP	3.5 MM WIDE MARKER (STRIP) PRINTED	1	PKT	88.90	A



Wire Range : 0.2 - 2.5 mm²
 Current (A) : 24 A
 Voltage (V) : 1000 V
 Dimensions Width (Thickness) x Length : 5 x 49.7 mm
 Height with Din 35 x 7.5 mm Rail : 38.25 mm



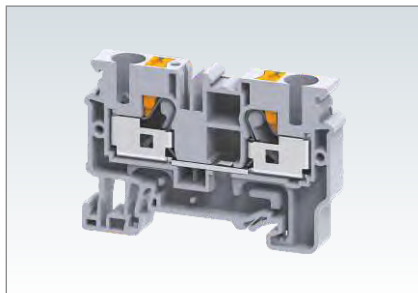
	Part #	Description	Std. Pack	UOM	List Price in	Group
TERMINAL BLOCK	CP2.5	2.5 mm ² FEED THRU PUSH IN TERMINAL BLOCK	100	EA	12.60	A
	CPG2.5	2.5 mm ² FEED THRU PUSH IN GROUND TERMINL	100	EA	80.70	A
ACCESSORIES	EPCX2.5	END PLATE FOR CX2.5/CXG2.5	50	EA	5.70	A
	JX2.5/2	SHORTING LNK FR 5mm WIDE SPRING CLAMP TB	100	EA	9.50	A
	JX2.5/3	SHORTING LNK FR 5mm WIDE SPRING CLAMP TB	50	EA	16.50	A
	JX2.5/4	SHORTING LNK FR 5mm WIDE SPRING CLAMP TB	50	EA	28.20	A
	JX2.5/10	SHORTING LNK FR 5mm WIDE SPRING CLAMP TB	10	EA	73.00	A
	CA509/K5WHT	5 mm WIDE MARKER BLANK	1	PKT	81.50	B
	CA509/K5WP	5 mm WIDE MARKER PRINTED	1	PKT	93.10	B



Wire Range : 0.2 - 4.0 mm²
 Current (A) : 32 A
 Voltage (V) : 1000 V
 Dimensions Width (Thickness) x Length : 6 x 54.8 mm
 Height with Din 35 x 7.5 mm Rail : 38.25 mm



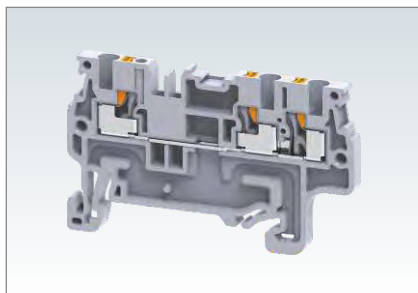
	Part #	Description	Std. Pack	UOM	List Price in	Group
TERMINAL BLOCK	CP4	4 mm ² FEED THRU PUSH IN TERMINAL BLOCK	100	EA	21.50	A
	CPG4	4 mm ² PUSH IN GROUND TERMINAL BLOCK	100	EA	81.60	A
ACCESSORIES	EPCX4	END PLATE FOR CX4 & CXG4	50	EA	6.80	A
	JX4/2	2 POLE SHRT LNK FR 6MM WIDE SP CL TB	100	EA	16.20	A
	JX4/3	3 POLE SHRT LNK FR 6MM WIDE SP CL TB	50	EA	27.80	A
	JX4/4	4 POLE SHRT LNK FR 6MM WIDE SP CL TB	50	EA	41.80	A
	JX4/10	10 POLE SHRT LNK FR 6MM WIDE SP CL TB	10	EA	97.50	A
	CA509/K6WHT	6 mm WIDE MARKER BLANK	1	PKT	81.50	B
	CA509/K6WP	CA509/K6-P PRINTED MARKERS WHT	1	PKT	93.10	B



Wire Range : 0.5 - 10 mm²
 Current (A) : 57 A
 Voltage (V) : 1000 V
 Dimensions Width (Thickness) x Length : 8 x 62.75 mm
 Height with Din 35 x 7.5 mm Rail : 43 mm



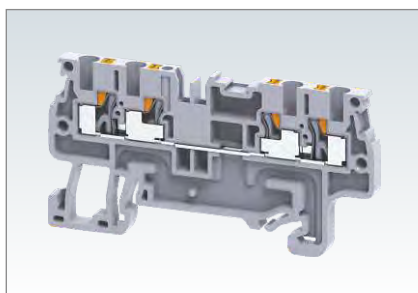
	Part #	Description	Std. Pack	UOM	List Price in	Group
TERMINAL BLOCK	CP6/10	10 mm ² FEED THRU PUSH IN TERMINAL BLOCK	100	EA	78.60	A
	CPG6/10	10 mm ² PUSH IN GROUND TERMINAL BLOCK	100	EA	204.60	A
ACCESSORIES	EPCX6	END PLATE FOR CX6 & CXG6	50	EA	8.20	A
	JX6/2	2 POLE SHRT LNK FR 8MM WIDE SP CL TB	100	EA	24.50	A
	JX6/3	3 POLE SHRT LNK FR 8MM WIDE SP CL TB	50	EA	41.80	A
	JX6/4	4 POLE SHRT LNK FR 8MM WIDE SP CL TB	50	EA	58.50	A
	JX6/10	10 POLE SHRT LNK FR 8MM WIDE SP CL TB	10	EA	139.20	A
	CA509/K8WHT	8 mm WIDE MARKER BLANK	1	PKT	93.10	B
	CA509/K8WP	CA509/K8-P PRINTED MARKERS WHT	1	PKT	106.30	B



Wire Range : 0.2 - 1.5 mm²
 Current (A) : 15 A
 Voltage (V) : 800 V
 Dimensions Width (Thickness) x Length : 3.5 x 54.5 mm
 Height with Din 35 x 7.5 mm Rail : 32.8 mm



	Part #	Description	Std. Pack	UOM	List Price in	Group
TERMINAL BLOCK	CP1.5/3	1.5 mm ² FEED THRU 3 WIRE PUSH IN TB	100	EA	24.50	A
	CPG1.5/3	1.5 mm ² FEED THRU 3 WIRE PUSH IN GND TB	100	EA	84.70	A
ACCESSORIES	EPCP1.5/3	END PLATE FOR CP1.5/3	50	EA	6.80	A
	JX1.5/2	2 POLE SHRT LNK FR 3.5MM WIDE SP CL TB	100	EA	8.90	A
	JX1.5/3	3 POLE SHRT LNK FR 3.5MM WIDE SP CL TB	50	EA	15.50	A
	JX1.5/4	4 POLE SHRT LNK FR 3.5MM WIDE SP CL TB	50	EA	28.20	A
	JX1.5/10	10 POLE SHRT LNK FR 3.5MM WIDE SP CL TB	10	EA	72.40	A
	MS3.5WHT	3.5 MM WIDE MARKER (STRIP) BLANK	1	PKT	77.90	A
	MS3.5WP	3.5 MM WIDE MARKER (STRIP) PRINTED	1	PKT	88.90	A

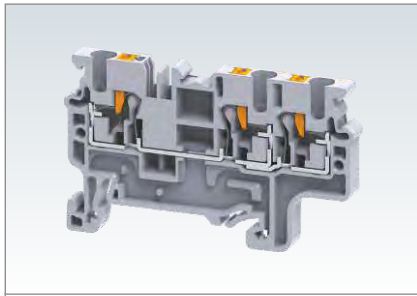


Wire Range : 0.2 - 1.5 mm²
 Current (A) : 15 A
 Voltage (V) : 800 V
 Dimensions Width (Thickness) x Length : 3.5 x 63.5 mm
 Height with Din 35 x 7.5 mm Rail : 32.8 mm



	Part #	Description	Std. Pack	UOM	List Price in	Group
TERMINAL BLOCK	CP1.5/4	1.5 mm ² FEED THRU 4 WIRE PUSH IN TB	100	EA	27.10	A
	CPG1.5/4	1.5 mm ² FEED THRU 4 WIRE PUSH IN GND TB	100	EA	105.30	A
ACCESSORIES	EPCP1.5/4	END PLATE FOR CP1.5/4	50	EA	8.50	A
	JX1.5/2	2 POLE SHRT LNK FR 3.5MM WIDE SP CL TB	100	EA	8.90	A
	JX1.5/3	3 POLE SHRT LNK FR 3.5MM WIDE SP CL TB	50	EA	15.50	A
	JX1.5/4	4 POLE SHRT LNK FR 3.5MM WIDE SP CL TB	50	EA	28.20	A
	JX1.5/10	10 POLE SHRT LNK FR 3.5MM WIDE SP CL TB	10	EA	72.40	A
	MS3.5WHT	3.5 MM WIDE MARKER (STRIP) BLANK	1	PKT	77.90	A
	MS3.5WP	3.5 MM WIDE MARKER (STRIP) PRINTED	1	PKT	88.90	A

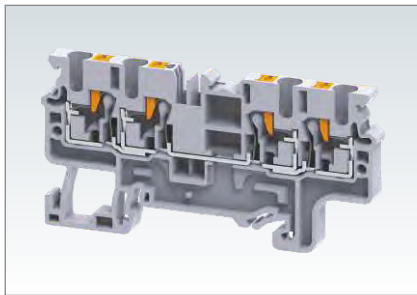
CP SERIES PUSH-IN TERMINAL BLOCKS



Wire Range : 0.2 - 2.5 mm²
 Current (A) : 24 A
 Voltage (V) : 1000 V
 Dimensions Width (Thickness) x Length : 5 x 62.5 mm
 Height with Din 35 x 7.5 mm Rail : 38.25 mm



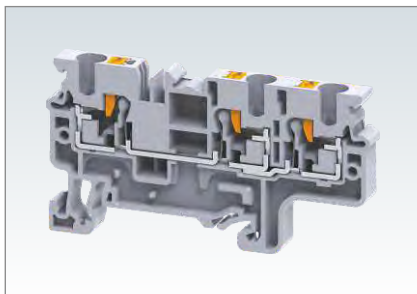
	Part #	Description	Std. Pack	UOM	List Price in	Group
TERMINAL BLOCK	CP2.5/3	2.5mm ² FEED THRU 3 WIRE PUSH IN TB	100	EA	28.70	A
	CPG2.5/3	2.5mm ² FEED THRU 3 WIRE PUSH IN GND TB	100	EA	118.70	A
ACCESSORIES	EPCX2.5/3	END PLATE FOR CX2.5/3 & CXG2.5/3	50	EA	7.10	A
	JX2.5/2	SHORTING LNK FR 5mm WIDE SPRING CLAMP TB	100	EA	9.50	A
	JX2.5/3	SHORTING LNK FR 5mm WIDE SPRING CLAMP TB	50	EA	16.50	A
	JX2.5/4	SHORTING LNK FR 5mm WIDE SPRING CLAMP TB	50	EA	28.20	A
	JX2.5/10	SHORTING LNK FR 5mm WIDE SPRING CLAMP TB	10	EA	73.00	A
	CA509/K5WHT	5 mm WIDE MARKER BLANK	1	PKT	81.50	B
	CA509/K5WP	5 mm WIDE MARKER PRINTED	1	PKT	93.10	B



Wire Range : 0.2 - 2.5 mm²
 Current (A) : 24 A
 Voltage (V) : 1000 V
 Dimensions Width (Thickness) x Length : 5 x 73 mm
 Height with Din 35 x 7.5 mm Rail : 38.25 mm



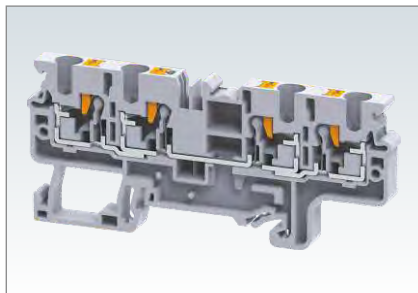
	Part #	Description	Std. Pack	UOM	List Price in	Group
TERMINAL BLOCK	CP2.5/4	2.5mm ² FEED THRU 4 WIRE PUSH IN TB	100	EA	30.60	A
	CPG2.5/4	2.5mm ² FEED THRU 4 WIRE PUSH IN GND TB	100	EA	121.10	A
ACCESSORIES	EPCX2.5/4	END PLATE FOR CX2.5/4&CXK2.5/4&CXG2.5/4	50	EA	7.40	A
	JX2.5/2	SHORTING LNK FR 5mm WIDE SPRING CLAMP TB	100	EA	9.50	A
	JX2.5/3	SHORTING LNK FR 5mm WIDE SPRING CLAMP TB	50	EA	16.50	A
	JX2.5/4	SHORTING LNK FR 5mm WIDE SPRING CLAMP TB	50	EA	28.20	A
	JX2.5/10	SHORTING LNK FR 5mm WIDE SPRING CLAMP TB	10	EA	73.00	A
	CA509/K5WHT	5 mm WIDE MARKER BLANK	1	PKT	81.50	B
	CA509/K5WP	5 mm WIDE MARKER PRINTED	1	PKT	93.10	B



Wire Range : 0.2 - 4.0 mm²
 Current (A) : 32 A
 Voltage (V) : 1000 V
 Dimensions Width (Thickness) x Length : 6 x 70.5 mm
 Height with Din 35 x 7.5 mm Rail : 38.25 mm



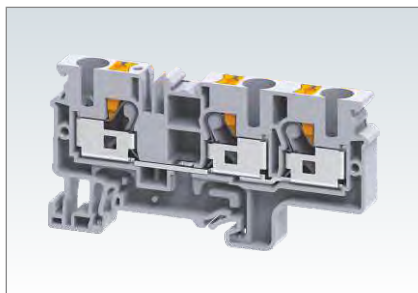
	Part #	Description	Std. Pack	UOM	List Price in	Group
TERMINAL BLOCK	CP4/3	4mm ² FEED THRU 4 WIRE PUSH IN TB	50	EA	39.00	A
	CPG4/3	4mm ² FEED THRU 4 WIRE PUSH IN GND TB	50	EA	122.80	A
ACCESSORIES	EPCX4/3	END PLATE FOR CX4/3 & CXG4/3	50	EA	8.60	A
	JX4/2	2 POLE SHRT LNK FR 6MM WIDE SP CL TB	100	EA	16.20	A
	JX4/3	3 POLE SHRT LNK FR 6MM WIDE SP CL TB	50	EA	27.80	A
	JX4/4	4 POLE SHRT LNK FR 6MM WIDE SP CL TB	50	EA	41.80	A
	JX4/10	10 POLE SHRT LNK FR 6MM WIDE SP CL TB	10	EA	97.50	A
	CA509/K6WHT	6 mm WIDE MARKER BLANK	1	PKT	81.50	B
	CA509/K6WP	CA509/K6-P PRINTED MARKERS WHT	1	PKT	93.10	B



Wire Range : 0.2 - 4.0 mm²
 Current (A) : 32 A
 Voltage (V) : 1000 V
 Dimensions Width (Thickness) x Length : 6 x 86.2 mm
 Height with Din 35 x 7.5 mm Rail : 38.25 mm



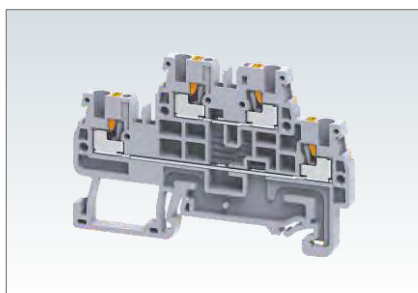
	Part #	Description	Std. Pack	UOM	List Price in	Group
TERMINAL BLOCK	CP4/4	4mm ² FEED THRU 4 WIRE PUSH IN TB	50	EA	45.50	A
	CPG4/4	4mm ² FEED THRU 4 WIRE PUSH IN GND TB	50	EA	133.00	A
ACCESSORIES	EPCX4/4	END PLATE FOR CX4/3 & CXG4/3	50	EA	10.20	A
	JX4/2	2 POLE SHRT LNK FR 6MM WIDE SP CL TB	100	EA	16.20	A
	JX4/3	3 POLE SHRT LNK FR 6MM WIDE SP CL TB	50	EA	27.80	A
	JX4/4	4 POLE SHRT LNK FR 6MM WIDE SP CL TB	50	EA	41.80	A
	JX4/10	10 POLE SHRT LNK FR 6MM WIDE SP CL TB	10	EA	97.50	A
	CA509/K6WHT	6 mm WIDE MARKER BLANK	1	PKT	81.50	B
	CA509/K6WP	CA509/K6-P PRINTED MARKERS WHT	1	PKT	93.10	B



Wire Range : 0.5 - 10.0 mm²
 Current (A) : 57 A
 Voltage (V) : 1000 V
 Dimensions Width (Thickness) x Length : 8 x 82.85 mm
 Height with Din 35 x 7.5 mm Rail : 43 mm



	Part #	Description	Std. Pack	UOM	List Price in	Group
TERMINAL BLOCK	CP6/10/3	10 mm ² FEED THRU PUSH IN 3 WIRE TB	50	EA	136.30	A
	CPG6/10/3	10 mm ² 3 WIRE PUSH IN GROUND TERMINAL	50	EA	224.10	A
ACCESSORIES	EPCX6/3	END PLATE FOR CX6/3 & CXG6/3	50	EA	9.80	A
	JX6/2	2 POLE SHRT LNK FR 8MM WIDE SP CL TB	100	EA	24.50	A
	JX6/3	3 POLE SHRT LNK FR 8MM WIDE SP CL TB	50	EA	41.80	A
	JX6/4	4 POLE SHRT LNK FR 8MM WIDE SP CL TB	50	EA	58.50	A
	JX6/10	10 POLE SHRT LNK FR 8MM WIDE SP CL TB	10	EA	139.20	A
	CA509/K8WHT	8 mm WIDE MARKER BLANK	1	PKT	93.10	B
	CA509/K8WP	8 mm WIDE MARKER PRINTED	1	PKT	106.30	B

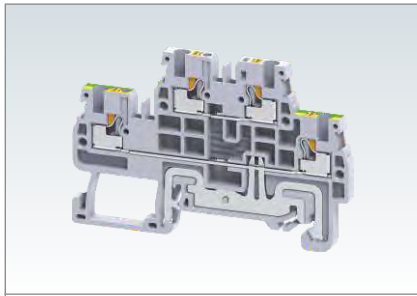


Wire Range : 0.2 - 1.5 mm²
 Current (A) : 16 A
 Voltage (V) : 500 V
 Dimensions Width (Thickness) x Length : 3.5 x 67.2 mm
 Height with Din 35 x 7.5 mm Rail : 45.3 mm



	Part #	Description	Std. Pack	UOM	List Price in	Group
TERMINAL BLOCK	CPDL1.5	1.5mm ² 2 LEVEL PUSH IN SPRING CLAMP	50	EA	30.00	A
	CPDL1.5(I.S)	1.5mm ² 2 LEVEL PUSH IN SP CL INT SHRT	50	EA	40.70	A
ACCESSORIES	EPCPD1.5	END PLATE FOR CPDL1.5 SERIES	50	EA	10.40	A
	JX1.5/2	2 POLE SHRT LNK FR 3.5MM WIDE SP CL TB	100	EA	8.90	A
	JX1.5/3	3 POLE SHRT LNK FR 3.5MM WIDE SP CL TB	50	EA	15.50	A
	JX1.5/4	4 POLE SHRT LNK FR 3.5MM WIDE SP CL TB	50	EA	28.20	A
	JX1.5/10	10 POLE SHRT LNK FR 3.5MM WIDE SP CL TB	10	EA	72.40	A
	MS3.5WHT	3.5 MM WIDE MARKER (STRIP) BLANK	1	PKT	77.90	A
	MS3.5WP	3.5 MM WIDE MARKER (STRIP) PRINTED	1	PKT	88.90	A

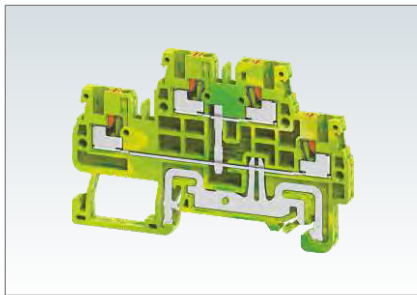
CP SERIES PUSH-IN TERMINAL BLOCKS



Wire Range : 0.2 - 1.5 mm²
 Current (A) : 16 A
 Voltage (V) : 500 V
 Dimensions Width (Thickness) x Length : 3.5 x 67.2 mm
 Height with Din 35 x 7.5 mm Rail : 45.3 mm



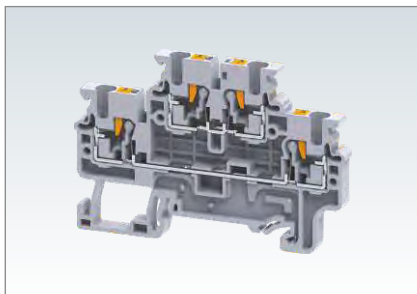
	Part #	Description	Std. Pack	UOM	List Price in	Group
TERMINAL BLOCK	CPDLG1.5	1.5 mm ² FEED THRU + GND PUSH IN TB	50	EA	93.20	A
	EPCPDL1.5	END PLATE FOR CPDL1.5 SERIES	50	EA	10.40	A
	JX1.5/2	2 POLE SHRT LNK FR 3.5MM WIDE SP CL TB	100	EA	8.90	A
	JX1.5/3	3 POLE SHRT LNK FR 3.5MM WIDE SP CL TB	50	EA	15.50	A
ACCESSORIES	JX1.5/4	4 POLE SHRT LNK FR 3.5MM WIDE SP CL TB	50	EA	28.20	A
	JX1.5/10	10 POLE SHRT LNK FR 3.5MM WIDE SP CL TB	10	EA	72.40	A
	MS3.5WHT	3.5 MM WIDE MARKER (STRIP) BLANK	1	PKT	77.90	A
	MS3.5WP	3.5 MM WIDE MARKER (STRIP) PRINTED	1	PKT	88.90	A



Wire Range : 0.2 - 1.5 mm²
 Dimensions Width (Thickness) x Length : 3.5 x 67.2 mm
 Height with Din 35 x 7.5 mm Rail : 45.3 mm



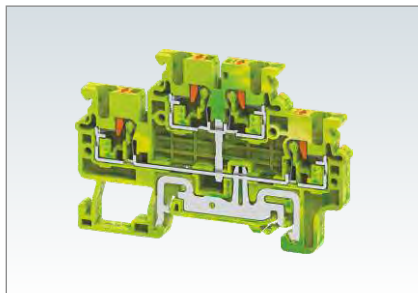
	Part #	Description	Std. Pack	UOM	List Price in	Group
TERMINAL BLOCK	CPDLG1.5(I.S)	1.5mm ² 2 LVL PUSH IN GROUND TERMINAL	50	EA	106.50	A
	EPCPDL1.5	END PLATE FOR CPDL1.5 SERIES	50	EA	10.40	A
	JX1.5/2	2 POLE SHRT LNK FR 3.5MM WIDE SP CL TB	100	EA	8.90	A
	JX1.5/3	3 POLE SHRT LNK FR 3.5MM WIDE SP CL TB	50	EA	15.50	A
ACCESSORIES	JX1.5/4	4 POLE SHRT LNK FR 3.5MM WIDE SP CL TB	50	EA	28.20	A
	JX1.5/10	10 POLE SHRT LNK FR 3.5MM WIDE SP CL TB	10	EA	72.40	A
	MS3.5WHT	3.5 MM WIDE MARKER (STRIP) BLANK	1	PKT	77.90	A
	MS3.5WP	3.5 MM WIDE MARKER (STRIP) PRINTED	1	PKT	88.90	A



Wire Range : 0.2 - 2.5 mm²
 Current (A) : 24 A
 Voltage (V) : 1000 V
 Dimensions Width (Thickness) x Length : 5 x 72.7 mm
 Height with Din 35 x 7.5 mm Rail : 49.55 mm



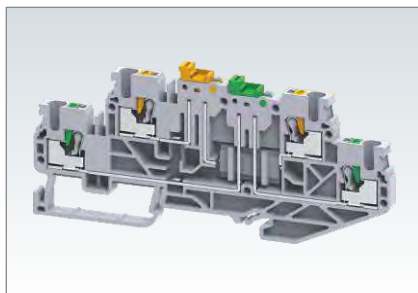
	Part #	Description	Std. Pack	UOM	List Price in	Group
TERMINAL BLOCK	CPDL2.5	2.5mm ² 2 LEVEL PUSH IN SPRING CLAMP TB	50	EA	36.00	A
	CPDL2.5(I.S)	2.5mm ² 2 LEVEL PUSH IN SP CL INT SHRT TB	50	EA	48.50	A
	EPCXDL2.5	END PLATE FOR CXDL2.5 SERIES	50	EA	10.40	A
ACCESSORIES	JX2.5/2	2 POLE SHRT LNK FR 5MM WIDE SP CL TB	100	EA	9.50	A
	JX2.5/3	3 POLE SHRT LNK FR 5MM WIDE SP CL TB	50	EA	16.50	A
	JX2.5/4	4 POLE SHRT LNK FR 5MM WIDE SP CL TB	50	EA	28.20	A
	JX2.5/10	10 POLE SHRT LNK FR 5MM WIDE SP CL TB	10	EA	73.00	A
	CA509/K5WHT	5 mm WIDE MARKER BLANK	1	PKT	81.50	B
	CA509/K5WP	CA509/K5-P PRINTED MARKERS WHT	1	PKT	93.10	B



Wire Range : 0.2 - 2.5 mm²
 Current (A) : 24 A
 Voltage (V) : 1000 V
 Dimensions Width (Thickness) x Length : 5 x 72.7 mm
 Height with Din 35 x 7.5 mm Rail : 49.55 mm



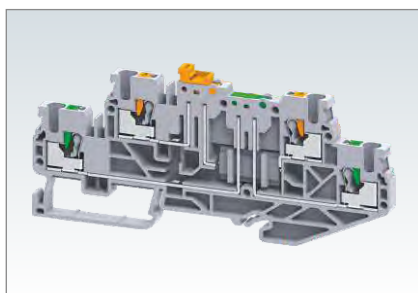
	Part #	Description	Std. Pack	UOM	List Price in	Group
TERMINAL BLOCK	CPDLG2.5	2.5 mm ² FEED THRU + GND PUSH IN SP CL TB	50	EA	112.40	A
	CPDLG2.5(I.S)	2.5mm ² 2 LVL PUSH IN GROUND TERMINAL	50	EA	140.50	A
ACCESSORIES	EPCXDL2.5	END PLATE FOR CXDL2.5 SERIES	50	EA	10.40	A
	JX2.5/2	2 POLE SHRT LNK FR 5MM WIDE SP CL TB	100	EA	9.50	A
	JX2.5/3	3 POLE SHRT LNK FR 5MM WIDE SP CL TB	50	EA	16.50	A
	JX2.5/4	4 POLE SHRT LNK FR 5MM WIDE SP CL TB	50	EA	28.20	A
	JX2.5/10	10 POLE SHRT LNK FR 5MM WIDE SP CL TB	10	EA	73.00	A
	CA509/K5WHT	5 mm WIDE MARKER BLANK	1	PKT	81.50	B
	CA509/K5WP	CA509/K5-P PRINTED MARKERS WHT	1	PKT	93.10	B



Wire Range : 0.2 - 2.5 mm²
 Current (A) : 16 A
 Voltage (V) : 500 V
 Dimensions Width (Thickness) x Length : 5 x 107.25 mm
 Height with Din 35 x 7.5 mm Rail : 50 mm



	Part #	Description	Std. Pack	UOM	List Price in	Group
TERMINAL BLOCK	CPDLK2.5	2.5mm ² 4W DOUBLE LVL KNIFEDISCON SPCL	50	EA	185.00	A
	CPDLK2.5(I.S)	2.5mm ² 4W 2 LVL KNIFEDISCON INT SHRT TB	50	EA	212.50	A
ACCESSORIES	EPCPDLK2.5	UD-END PLATE FOR CPDLK2.5	50	EA	23.40	A
	JX2.5/2	2 POLE SHRT LNK FR 5MM WIDE SP CL TB	100	EA	9.50	A
	JX2.5/3	3 POLE SHRT LNK FR 5MM WIDE SP CL TB	50	EA	16.50	A
	JX2.5/4	4 POLE SHRT LNK FR 5MM WIDE SP CL TB	50	EA	28.20	A
	JX2.5/10	10 POLE SHRT LNK FR 5MM WIDE SP CL TB	10	EA	73.00	A
	MS5WHT	5 MM WIDE MARKER (STRIP) BLANK	1	PKT	77.90	A
	MS5WP	5 MM WIDE MARKER (STRIP) PRINTED	1	PKT	88.90	A

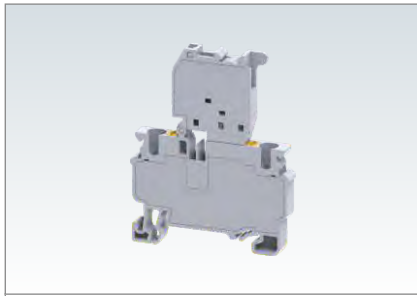


Wire Range : 0.2 - 2.5 mm²
 Current (A) : 16 A
 Voltage (V) : 500 V
 Dimensions Width (Thickness) x Length : 5 x 107.25 mm
 Height with Din 35 x 7.5 mm Rail : 50 mm



	Part #	Description	Std. Pack	UOM	List Price in	Group
TERMINAL BLOCK	CPDLKFT2.5	2.5mm ² 4W DOUBLE LVL FEED THROU SPCL	50	EA	175.50	A
	CPDLKFT2.5(I.S)	2.5mm ² 4W DOUBLE LVL FD THRU INT SHRT SPCL	50	EA	203.10	A
ACCESSORIES	EPCPDLK2.5	UD-END PLATE FOR CPDLK2.5	50	EA	23.40	A
	JX2.5/2	2 POLE SHRT LNK FR 5MM WIDE SP CL TB	100	EA	9.50	A
	JX2.5/3	3 POLE SHRT LNK FR 5MM WIDE SP CL TB	50	EA	16.50	A
	JX2.5/4	4 POLE SHRT LNK FR 5MM WIDE SP CL TB	50	EA	28.20	A
	JX2.5/10	10 POLE SHRT LNK FR 5MM WIDE SP CL TB	10	EA	73.00	A
	MS5WHT	5 MM WIDE MARKER (STRIP) BLANK	1	PKT	77.90	A
	MS5WP	5 MM WIDE MARKER (STRIP) PRINTED	1	PKT	88.90	A

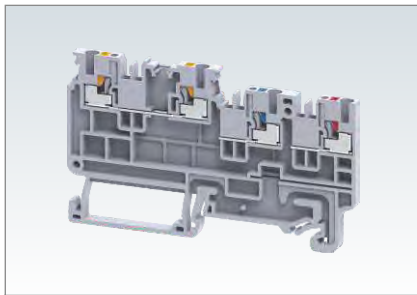
CP SERIES PUSH-IN TERMINAL BLOCKS



Wire Range : 0.2 - 4.0 mm²
 Current (A) : 10 A
 Voltage (V) : 1000 V
 Dimensions Width (Thickness) x Length : 6 x 54.8 mm
 Height with Din 35 x 7.5 mm Rail : 68 mm



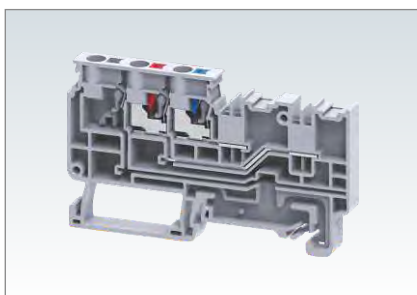
	Part #	Description	Std. Pack	UOM	List Price in	Group
TERMINAL BLOCK	CPF4	4MM ² PUSH IN FUSE TB	50	EA	72.80	A
	CPF4L110-240V	4mm ² PUSH IN FUSE TB 110-240V	50	EA	118.80	A
	CPF4L6-60V	4mm ² PUSH IN FUSE TB 6-60V	50	EA	96.00	A
ACCESSORIES	JX4/2	2 POLE SHRT LNK FR 6MM WIDE SP CL TB	100	EA	16.20	A
	JX4/3	3 POLE SHRT LNK FR 6MM WIDE SP CL TB	50	EA	27.80	A
	JX4/4	4 POLE SHRT LNK FR 6MM WIDE SP CL TB	50	EA	41.80	A
	JX4/10	10 POLE SHRT LNK FR 6MM WIDE SP CL TB	10	EA	97.50	A
	CA509/K6WHT	6 mm WIDE MARKER BLANK	1	PKT	81.50	B
	CA509/K6WP	CA509/K6-P PRINTED MARKERS WHT	1	PKT	93.10	B



Wire Range : 0.2 - 1.5 mm²
 Current (A) : 13.5 A
 Voltage (V) : 250 V
 Dimensions Width (Thickness) x Length : 3.5 x 79.8 mm
 Height with Din 35 x 7.5 mm Rail : 48.1 mm



	Part #	Description	Std. Pack	UOM	List Price in	Group
TERMINAL BLOCK	CPST1.5/3	1.5 mm ² 3 WIRE PUSH IN SENSOR TB	50	EA	107.60	A
	CPST1.5/3L*	1.5 mm ² 3 WIRE PUSH IN SENSOR TB WITH LED	50	EA	ON REQUEST	A
	CPST1.5/4	1.5 mm ² 4 WIRE PUSH IN SENSOR TB	50	EA	139.20	A
	CPST1.5/4L*	1.5 mm ² 3 WIRE PUSH IN SENSOR TB WITH LED	50	EA	ON REQUEST	A
	CPSTG1.5/4	1.5 mm ² 4 WIRE PUSH IN GROUND SENSOR TB	50	EA	177.10	A
ACCESSORIES	EPCPPT2.5/3	END PLATE FOR CPPT2.5/3 GRY	50	EA	32.30	A
	JX1.5/2	2 POLE SHRT LNK FR 3.5MM WIDE SP CL TB	100	EA	8.90	A
	JX1.5/3	3 POLE SHRT LNK FR 3.5MM WIDE SP CL TB	50	EA	15.50	A
	JX1.5/4	4 POLE SHRT LNK FR 3.5MM WIDE SP CL TB	50	EA	28.20	A
	JX1.5/10	10 POLE SHRT LNK FR 3.5MM WIDE SP CL TB	10	EA	72.40	A
	MS3.5WHT	3.5 MM WIDE MARKER (STRIP) BLANK	1	PKT	77.90	A
	MS3.5WP	3.5 MM WIDE MARKER (STRIP) PRINTED	1	PKT	88.90	A

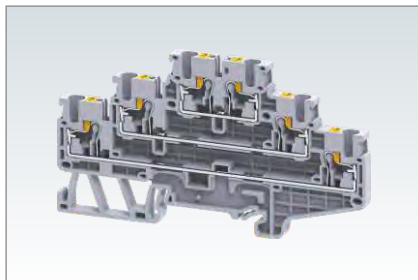


Wire Range : 0.2 - 2.5 mm²
 Current (A) : 20 A
 Voltage (V) : 250 V
 Dimensions Width (Thickness) x Length : 7 x 79.8 mm
 Height with Din 35 x 7.5 mm Rail : 48.1 mm



	Part #	Description	Std. Pack	UOM	List Price in	Group
TERMINAL BLOCK	CPPT2.5/3	2.5 mm ² 3 WIRE PUSH IN POWER TB	50	EA	139.20	A
	CPPT2.5/3L*	2.5 mm ² 3 WIRE PUSH IN POWER TB WITH LED	50	EA	ON REQUEST	A
	CPPT2.5/4	2.5 mm ² 4 WIRE PUSH IN POWER TB	50	EA	181.00	A
	CPPT2.5/4L*	2.5 mm ² 4 WIRE PUSH IN POWER TB WITH LED	50	EA	ON REQUEST	A
	CPPTG2.5/4	2.5 mm ² 4 WIRE PUSH IN GROUND POWER TB	50	EA	215.10	A
ACCESSORIES	EPCPPT2.5/3	END PLATE FOR CPPT2.5/3 GRY	50	EA	32.30	A
	JX1.5/2	2 POLE SHRT LNK FR 3.5MM WIDE SP CL TB	100	EA	8.90	A
	JX1.5/3	3 POLE SHRT LNK FR 3.5MM WIDE SP CL TB	50	EA	15.50	A
	JX1.5/4	4 POLE SHRT LNK FR 3.5MM WIDE SP CL TB	50	EA	28.20	A
	JX1.5/10	10 POLE SHRT LNK FR 3.5MM WIDE SP CL TB	10	EA	72.40	A
	MS3.5WHT	3.5 MM WIDE MARKER (STRIP) BLANK	1	PKT	77.90	A
	MS3.5WP	3.5 MM WIDE MARKER (STRIP) PRINTED	1	PKT	88.90	A

* Standard voltage range for LED indication 6-60V and 110-240V



Wire Range : 0.2 - 2.5 mm²
 Current (A) : 20 A
 Voltage (V) : 500 V
 Dimensions Width (Thickness) x Length : 5 x 102 mm
 Height with Din 35 x 7.5 mm Rail : 57.25 mm



	Part #	Description	Std. Pack	UOM	List Price in	Group
TERMINAL BLOCK	CPTL2.5	2.5mm ² 3 LEVEL PUSH IN SPRING CLMP TB	50	EA	93.00	A
	CPTL2.5(I.S)	2.5mm ² 3 LVL PUSH IN SPR CL INT SHRT	50	EA	115.80	A
	CPTLG2.5	2.5mm ² GND INT SHRT PUSH IN TB	50	EA	173.30	A
	CPTLG2.5(I.S)	2.5mm ² GND INT SHRT PUSH IN TB	50	EA	196.40	A
ACCESSORIES	EPCPTL2.5	END PLATE FOR CPTL SERIES TB	50	EA	25.90	A
	JX2.5/2	SHORTING LNK FR 5mm WIDE SPRING CLAMP TB	100	EA	9.50	A
	JX2.5/3	SHORTING LNK FR 5mm WIDE SPRING CLAMP TB	50	EA	16.50	A
	JX2.5/4	SHORTING LNK FR 5mm WIDE SPRING CLAMP TB	50	EA	28.20	A
	JX2.5/10	SHORTING LNK FR 5mm WIDE SPRING CLAMP TB	10	EA	73.00	A
	CA509/K5WHT	5 mm WIDE MARKER BLANK	1	PKT	81.50	B
CA509/K5WP	5 mm WIDE MARKER PRINTED	1	PKT	93.10	B	



Wire Range : 0.2 - 1.5 mm²
 Current (A) : 8 A
 Voltage (V) : 320 V
 Dimensions Width (Thickness) x Length : 9 x 120 mm
 Height with Din 35 x 7.5 mm Rail : 84 mm



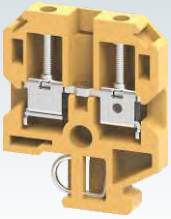
	Part #	Description	Std. Pack	UOM	List Price in	Group
TERMINAL BLOCK	CP8L32	1.5 mm ² FEED THRU 8 LVL PUSH IN SP CL	10	EA	405.50	A
	CP8L32BK	1.5 mm ² FD TH 8 LVL PUSH IN SP CL TB BLK	10	EA	446.00	A
	CP8L32BU	1.5 mm ² FD TH 8 LVL PUSH IN SP CL TB BLU	10	EA	446.00	A
ACCESSORIES	CA509/K9WHT	9 mm WIDE MARKER BLANK - ON TERMINAL	1	PKT	93.10	B
	CA509/K9WP	9 mm WIDE MARKER PRINTED - ON TERMINAL	1	PKT	106.30	B



Wire Range : 0.2 - 1.5 mm²
 Current (A) : 8 A
 Voltage (V) : 320 V
 Dimensions Width (Thickness) x Length : 9 x 120 mm
 Height with Din 35 x 7.5 mm Rail : 84 mm



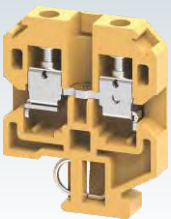
	Part #	Description	Std. Pack	UOM	List Price in	Group
TERMINAL BLOCK	CP8L32(I.S)	UD-1.5mm ² 8 LVL PUSH IN SP CLMP INT	10	EA	547.30	A
	CP8L32(I.S)BK	1.5mm ² 8 LVL PUSH IN SP CLMP INT BLK	10	EA	602.00	A
	CP8L32(I.S)BU	1.5mm ² 8 LVL PUSH IN SP CLMP INT BLU	10	EA	602.00	A
ACCESSORIES	CA509/K9WHT	9 mm WIDE MARKER BLANK - ON TERMINAL	1	PKT	93.10	B
	CA509/K9WP	9 mm WIDE MARKER PRINTED - ON TERMINAL	1	PKT	106.30	B



Wire Range : 0.2 - 4.0 mm²
 Current (A) : 32 A
 Voltage (V) : 800 V
 Dimensions Width (Thickness) x Length : 6.7 x 40 mm
 Height with Din 32 x 15 mm Rail : 52 mm

IECEE CE C-SP US

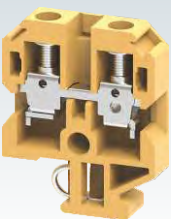
	Part #	Description	Std. Pack	UOM	List Price in	Group
TERMINAL BLOCK	CTS2.5	4 mm ² FEED THRU SCREW CLAMP MELAMINE TB	200	EA	14.70	C
	CTS2.5BU	4 mm ² FD THRU SW CL MELAMINE TB BLUE	200	EA	16.10	C
	CTS2.5BK	4 mm ² FD THRU SW CL MELAMINE TB BLACK	200	EA	16.10	C
	CTS2.5R	4 mm ² FD THRU SW CL MELAMINE TB RED	200	EA	16.10	C
	CTS2.5Y	4 mm ² FD THRU SW CL MELAMINE TB YELLOW	200	EA	16.10	C
ACCESSORIES	CTSEP1	END PLATE FOR CTS2.5/6/10	50	EA	6.70	C
	CTSPP1L	PARTITION PLATE FOR CTS2.5/6/10 LONG	50	EA	14.10	C
	CTSPP1B	PARTITION PLATE FOR CTS2.5/6/10 BROAD	50	EA	15.30	C
	CA522/2	2P PRE ASSEM SHRT LINK FR 6.7mm WIDE TB	100	EA	15.40	C
	CA522/3	3P PRE ASSEM SHRT LINK FR 6.7mm WIDE TB	100	EA	23.00	C
	CA522/4	4P PRE ASSEM SHRT LINK FR 6.7mm WIDE TB	100	EA	30.70	C
	CA522/10	10P PRE ASSEM SHRT LINK FR 6.7mm WIDE TB	10	EA	76.70	C
	CA509/K2WHT	6 mm WIDE MARKER BLANK	1	PKT	81.50	B
	CA509/K2WP	6 mm WIDE MARKER PRINTED	1	PKT	93.10	B



Wire Range : 1.5 - 6.0 mm²
 Current (A) : 41 A
 Voltage (V) : 1000 V
 Dimensions Width (Thickness) x Length : 8 x 40 mm
 Height with Din 32 x 15 mm Rail : 52 mm

IECEE CE C-SP US

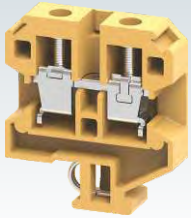
	Part #	Description	Std. Pack	UOM	List Price in	Group
TERMINAL BLOCK	CTS6	6 mm ² FEED THRU SCREW CLAMP MELAMINE TB	200	EA	17.20	C
	CTS6BU	6 mm ² FEED THRU SW CL MELAMINE TB BLUE	200	EA	18.90	C
	CTS6BK	6 mm ² FEED THRU SW CL MELAMINE TB BLACK	200	EA	18.90	C
	CTS6R	6 mm ² FEED THRU SW CL MELAMINE TB RED	200	EA	18.90	C
	CTS6Y	6 mm ² FEED THRU SW CL MELAMINE TB YELLOW	200	EA	18.90	C
ACCESSORIES	CTSEP1	END PLATE FOR CTS2.5/6/10	50	EA	6.70	C
	CTSPP1L	PARTITION PLATE FOR CTS2.5/6/10 LONG	50	EA	14.10	C
	CTSPP1B	PARTITION PLATE FOR CTS2.5/6/10 BROAD	50	EA	15.30	C
	CA723/2	2P PRE ASSEM SHRT LINK FOR 8mm WIDE TB	100	EA	16.50	B
	CA723/3	3P PRE ASSEM SHRT LINK FOR 8mm WIDE TB	50	EA	24.80	B
	CA723/4	4P PRE ASSEM SHRT LINK FOR 8mm WIDE TB	50	EA	33.00	B
	CA723/10	10P PRE ASSEM SHRT LINK FOR 8mm WIDE TB	10	EA	82.20	B
	CA509/K2WHT	6 mm WIDE MARKER BLANK	1	PKT	81.50	B
	CA509/K2WP	6 mm WIDE MARKER PRINTED	1	PKT	93.10	B



Wire Range : 1.5 - 10.0 mm²
 Current (A) : 57 A
 Voltage (V) : 1000 V
 Dimensions Width (Thickness) x Length : 10 x 40 mm
 Height with Din 32 x 15 mm Rail : 52 mm

IECEE CE C-SP US

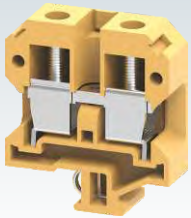
	Part #	Description	Std. Pack	UOM	List Price in	Group
TERMINAL BLOCK	CTS10	10 mm ² FEED THRU SCREW CLAMP MELAMINE TB	200	EA	23.10	C
	CTS10BU	10 mm ² FD THRU SW CL MELAMINE TB BLUE	200	EA	25.40	C
	CTS10BK	10 mm ² FD THRU SW CL MELAMINE TB BLACK	200	EA	25.40	C
	CTS10R	10 mm ² FD THRU SW CL MELAMINE TB RED	200	EA	25.40	C
	CTS10Y	10 mm ² FD THRU SW CL MELAMINE TB YELLOW	200	EA	25.40	C
ACCESSORIES	CTSEP1	END PLATE FOR CTS2.5/6/10	50	EA	6.70	C
	CTSPP1L	PARTITION PLATE FOR CTS2.5/6/10 LONG	50	EA	14.10	C
	CTSPP1B	PARTITION PLATE FOR CTS2.5/6/10 BROAD	50	EA	15.30	C
	CA724/2	2P PRE ASSEM SHRT LINK FOR 8mm WIDE TB	100	EA	17.90	B
	CA724/3	3P PRE ASSEM SHRT LINK FOR 8mm WIDE TB	50	EA	26.80	B
	CA724/4	4P PRE ASSEM SHRT LINK FOR 8mm WIDE TB	50	EA	35.80	B
	CA724/10	10P PRE ASSEM SHRT LINK FOR 8mm WIDE TB	10	EA	89.10	B
	CA509/K2WHT	6 mm WIDE MARKER BLANK	1	PKT	81.50	B
	CA509/K2WP	6 mm WIDE MARKER PRINTED	1	PKT	93.10	B



Wire Range : 6.0 - 16.0 mm²
 Current (A) : 76 A
 Voltage (V) : 1000 V
 Dimensions Width (Thickness) x Length : 12 x 50 mm
 Height with Din 32 x 15 mm Rail : 57.5 mm

IECEE CE C-SP US

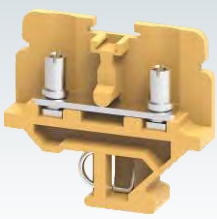
	Part #	Description	Std. Pack	UOM	List Price in	Group
TERMINAL BLOCK	CTS16	16 mm ² FEED THRU SCREW CLAMP MELAMINE TB	100	EA	37.00	C
	CTS16BU	16 mm ² FD THRU SW CL MELAMINE TB BLUE	100	EA	40.70	C
	CTS16BK	16 mm ² FD THRU SW CL MELAMINE TB BLACK	100	EA	40.70	C
	CTS16R	16 mm ² FD THRU SW CL MELAMINE TB RED	100	EA	40.70	C
	CTS16Y	16 mm ² FD THRU SW CL MELAMINE TB YELLOW	100	EA	40.70	C
ACCESSORIES	CTSEP2	END PLATE FOR CTS16	50	EA	13.30	C
	CTSPP2	PARTITION PLATE FOR CTS16	50	EA	23.30	C
	CA751/2	2P PRE ASSEM SHRT LINK FOR 12mm WIDE TB	50	EA	19.60	B
	CA751/3	3P PRE ASSEM SHRT LINK FOR 12mm WIDE TB	50	EA	29.40	B
	CA751/4	4P PRE ASSEM SHRT LINK FOR 12mm WIDE TB	50	EA	39.10	B
	CA751/10	10P PRE ASSEM SHRT LINK FOR 12mm WIDE TB	10	EA	97.50	B
	CA509/K2WHT	6 mm WIDE MARKER BLANK	1	PKT	81.50	B
	CA509/K2WP	6 mm WIDE MARKER PRINTED	1	PKT	93.10	B



Wire Range : 10.0 - 35.0 mm²
 Current (A) : 125 A
 Voltage (V) : 1000 V
 Dimensions Width (Thickness) x Length : 18 x 58 mm
 Height with Din 32 x 15 mm Rail : 66.8 mm

IECEE CE C-SP US

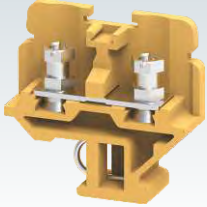
	Part #	Description	Std. Pack	UOM	List Price in	Group
TERMINAL BLOCK	CTS35	35 mm ² FEED THRU SCREW CLAMP MELAMINE TB	50	EA	95.70	C
	CTS35BU	35 mm ² FD THRU SW CL MELAMINE TB BLU	50	EA	105.20	C
	CTS35BK	35 mm ² FD THRU SW CL MELAMINE TB BLK	50	EA	105.20	C
	CTS35R	35 mm ² FD THRU SW CL MELAMINE TB RED	50	EA	105.20	C
	CTS35Y	35 mm ² FD THRU SW CL MELAMINE TB YLW	50	EA	105.20	C
ACCESSORIES	CTSEP3	END PLATE FOR CTS35	25	EA	14.10	C
	CTSPP3	PARTITION PLATE FOR CTS35	25	EA	26.90	C
	CA509/K2WHT	6 mm WIDE MARKER BLANK	1	PKT	81.50	B
	CA509/K2WP	6 mm WIDE MARKER PRINTED	1	PKT	93.10	B



Wire Range : 1.5 - 6.0 mm²
 Current (A) : 41 A
 Voltage (V) : 1000 V
 Dimensions Width (Thickness) x Length : 10 x 50 mm
 Height with Din 32 x 15 mm Rail : 47.5 mm

IECEE CE C-SP US

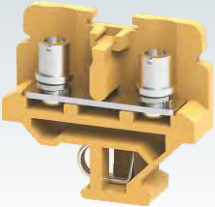
	Part #	Description	Std. Pack	UOM	List Price in	Group
TERMINAL BLOCK	CSTSB3	6mm ² M3 STUD SCREW DRVR OPTD MELAMINE TB	100	EA	34.70	C
	CSTSB3BU	6mm ² M3 STUD SCREW DRVR OPTD MEL TB BLU	100	EA	38.10	C
	CSTSB3BK	6mm ² M3 STUD SCREW DRVR OPTD MEL TB BLK	100	EA	38.10	C
	CSTSB3R	6mm ² M3 STUD SCREW DRVR OPTD MEL TB RED	100	EA	38.10	C
	CSTSB3Y	6mm ² M3 STUD SCREW DRVR OPTD MEL TB YLW	100	EA	38.10	C
ACCESSORIES	CSTSEP2	END PLATE FOR CSTSN4/N5/B4/B5	50	EA	9.60	C
	CSTSP	PARTITION PLATE FOR CSTSN4/N5/N6	50	EA	19.10	B
	CA509/K2B4WHT	6 mm WIDE MARKER BLANK	1	PKT	91.50	B
	CA509/K2B4WP	6 mm WIDE MARKER PRINTED	1	PKT	103.10	B



Wire Range : 1.5 - 10.0 mm²
 Current (A) : 57 A
 Voltage (V) : 1000 V
 Dimensions Width (Thickness) x Length : 13 x 45 mm
 Height with Din 32 x 15 mm Rail : 45 mm

CE

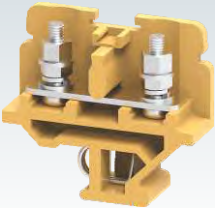
	Part #	Description	Std. Pack	UOM	List Price in	Group
TERMINAL BLOCK	CSTSB4/N4	10mm ² M4 STUD SCREW/NUT DRVR OPTD MEL TB	100	EA	44.60	C
	CSTSB4/N4BU	10mm ² M4 STUD SCRWNUT DRVR OPTD MEL BLU	100	EA	49.00	C
	CSTSB4/N4BK	10mm ² M4 STUD SCRWNUT DRVR OPTD MEL BLK	100	EA	49.00	C
	CSTSB4/N4R	10mm ² M4 STUD SCRWNUT DRVR OPTD MEL RED	100	EA	49.00	C
	CSTSB4/N4Y	10mm ² M4 STUD SCRWNUT DRVR OPTD MEL YLW	100	EA	49.00	C
ACCESSORIES	EPCSTSB4/N4	END PLATE FOR CSTSB4/N4	50	EA	9.20	C
	CA509/K2B4WHT	6 mm WIDE MARKER BLANK	1	PKT	91.50	B
	CA509/K2B4WP	6 mm WIDE MARKER PRINTED	1	PKT	103.10	B



Wire Range : 1.5 - 16.0 mm²
 Current (A) : 76 A
 Voltage (V) : 1000 V
 Dimensions Width (Thickness) x Length : 13 x 50 mm
 Height with Din 32 x 15 mm Rail : 47.5 mm

IECEE CE C-UL US

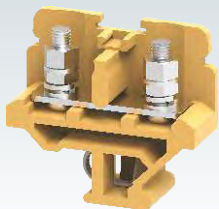
	Part #	Description	Std. Pack	UOM	List Price in	Group
TERMINAL BLOCK	CSTSB5	16mm ² M5 STUD SCREW DRVR OPTD MELAMIN TB	100	EA	53.20	C
	CSTSB5BU	16mm ² M5 STUD SCREW DRVR OPTD MEL TB BLU	100	EA	58.50	C
	CSTSB5BK	16mm ² M5 STUD SCREW DRVR OPTD MEL TB BLK	100	EA	58.50	C
	CSTSB5R	16mm ² M5 STUD SCREW DRVR OPTD MEL TB RED	100	EA	58.50	C
	CSTSB5Y	16mm ² M5 STUD SCREW DRVR OPTD MEL TB YLW	100	EA	58.50	C
ACCESSORIES	CSTSEP2	END PLATE FOR CSTSN4/N5/B4/B5	50	EA	9.60	C
	CSTSP	PARTITION PLATE FOR CSTSN4/N5/N6	50	EA	19.10	B
	CA509/K2B4WHT	6 mm WIDE MARKER BLANK	1	PKT	91.50	B
	CA509/K2B4WP	6 mm WIDE MARKER PRINTED	1	PKT	103.10	B



Wire Range : 1.5 - 10.0 mm²
 Current (A) : 57 A
 Voltage (V) : 1000 V
 Dimensions Width (Thickness) x Length : 15 x 50 mm
 Height with Din 32 x 15 mm Rail : 47.5 mm

IECEE CE C-UL US

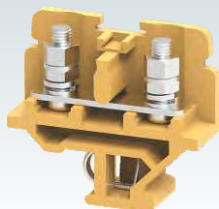
	Part #	Description	Std. Pack	UOM	List Price in	Group
TERMINAL BLOCK	CSTSN415P	10mm ² M4(15P) STUD NUT DRVR OPTD MEL TB	100	EA	53.80	C
	CSTSN415PBU	10mm ² M4(15P) STUD NUT DRVR OPTD MEL BLU	100	EA	59.10	C
	CSTSN415PBK	10mm ² M4(15P) STUD NUT DRVR OPTD MEL BLK	100	EA	59.10	C
	CSTSN415PR	10mm ² M4(15P) STUD NUT DRVR OPTD MEL RED	100	EA	59.10	C
	CSTSN415PY	10mm ² M4(15P) STUD NUT DRVR OPTD MEL YLW	100	EA	59.10	C
ACCESSORIES	CSTSEP2	END PLATE FOR CSTSN4/N5/B4/B5	50	EA	9.60	C
	CSTSP	PARTITION PLATE FOR CSTSN4/N5/N6	50	EA	19.10	B
	CA509/K2B4WHT	6 mm WIDE MARKER BLANK	1	PKT	91.50	B
	CA509/K2B4WP	6 mm WIDE MARKER PRINTED	1	PKT	103.10	B



Wire Range : 1.5 - 16.0 mm²
 Current (A) : 76 A
 Voltage (V) : 1000 V
 Dimensions Width (Thickness) x Length : 17 x 50 mm
 Height with Din 32 x 15 mm Rail : 47.5 mm

IECEE CE C-SP US

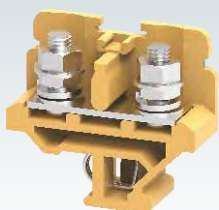
	Part #	Description	Std. Pack	UOM	List Price in	Group
TERMINAL BLOCK	CSTSN5	16mm ² M5 STUD NUT DRVR OPTD MELAMINE TB	100	EA	55.00	C
	CSTSN5BU	16mm ² M5 STUD NUT DRVR OPTD MEL TB BLU	100	EA	60.50	C
	CSTSN5BK	16mm ² M5 STUD NUT DRVR OPTD MEL TB BLK	100	EA	60.50	C
	CSTSN5R	16mm ² M5 STUD NUT DRVR OPTD MEL TB RED	100	EA	60.50	C
	CSTSN5Y	16mm ² M5 STUD NUT DRVR OPTD MEL TB YLW	100	EA	60.50	C
ACCESSORIES	CSTSEP2	END PLATE FOR CSTSN4/N5/B4/B5	50	EA	9.60	C
	CSTSPPP	PARTITION PLATE FOR CSTSN4/N5/N6	50	EA	19.10	B
	CA509/K2B4WHT	6 mm WIDE MARKER BLANK	1	PKT	91.50	B
	CA509/K2B4WP	6 mm WIDE MARKER PRINTED	1	PKT	103.10	B



Wire Range : 1.5 - 16.0 mm²
 Current (A) : 76 A
 Voltage (V) : 1000 V
 Dimensions Width (Thickness) x Length : 15 x 50 mm
 Height with Din 32 x 15 mm Rail : 47.5 mm

IECEE CE C-SP US

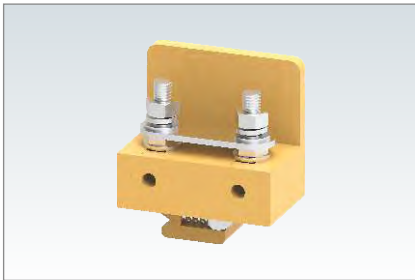
	Part #	Description	Std. Pack	UOM	List Price in	Group
TERMINAL BLOCK	CSTSN515P	16mm ² M5(15P) STUD NUT DRVR OPTD MEL TB	100	EA	56.60	C
	CSTSN515PBU	16mm ² M5(15P) STUD NUT DRVR OPTD MEL BLU	100	EA	62.20	C
	CSTSN515PBK	16mm ² M5(15P) STUD NUT DRVR OPTD MEL BLK	100	EA	62.20	C
	CSTSN515PR	16mm ² M5(15P) STUD NUT DRVR OPTD MEL RED	100	EA	62.20	C
	CSTSN515PY	16mm ² M5(15P) STUD NUT DRVR OPTD MEL YLW	100	EA	62.20	C
ACCESSORIES	CSTSEP2	END PLATE FOR CSTSN4/N5/B4/B5	50	EA	9.60	C
	CSTSPPP	PARTITION PLATE FOR CSTSN4/N5/N6	50	EA	19.10	B
	CA509/K2B4WHT	6 mm WIDE MARKER BLANK	1	PKT	91.50	B
	CA509/K2B4WP	6 mm WIDE MARKER PRINTED	1	PKT	103.10	B



Wire Range : 1.5 - 35.0 mm²
 Current (A) : 125 A
 Voltage (V) : 1000 V
 Dimensions Width (Thickness) x Length : 17 x 50 mm
 Height with Din 32 x 15 mm Rail : 47.5 mm

IECEE CE C-SP US

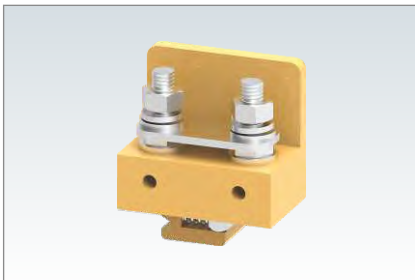
	Part #	Description	Std. Pack	UOM	List Price in	Group
TERMINAL BLOCK	CSTSN6	35mm ² M6 STUD NUT DRVR OPTD MELAMINE TB	100	EA	76.80	C
	CSTSN6BU	35mm ² M6 STUD NUT DRVR OPTD MEL TB BLU	100	EA	84.40	C
	CSTSN6BK	35mm ² M6 STUD NUT DRVR OPTD MEL TB BLK	100	EA	84.40	C
	CSTSN6R	35mm ² M6 STUD NUT DRVR OPTD MEL TB RED	100	EA	84.40	C
	CSTSN6Y	35mm ² M6 STUD NUT DRVR OPTD MEL TB YLW	100	EA	84.40	C
ACCESSORIES	CSTSEP2	END PLATE FOR CSTSN4/N5/B4/B5	50	EA	9.60	C
	CSTSPPP	PARTITION PLATE FOR CSTSN4/N5/N6	50	EA	19.10	B
	CA509/K2B4WHT	6 mm WIDE MARKER BLANK	1	PKT	91.50	B
	CA509/K2B4WP	6 mm WIDE MARKER PRINTED	1	PKT	103.10	B



Wire Range : 1.5 - 16.0 mm²
 Current (A) : 76 A
 Voltage (V) : 1000 V
 Dimensions Width (Thickness) x Length : 26 x 43 mm
 Height with Din 32 x 15 mm Rail : 53.5 mm



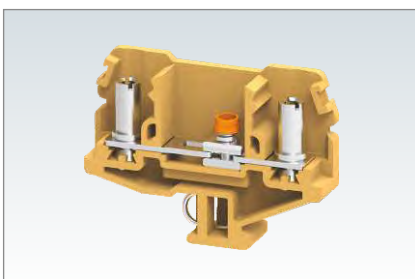
	Part #	Description	Std. Pack	UOM	List Price in	Group
TERMINAL BLOCK	CSTSRN5	16mm ² M5 STUD NUT DRVR OPTD MELAMINE TB	50	EA	75.60	C
	CSTSRN5BU	16mm ² M5 STUD NUT DRVR OPTD MEL TB BLU	50	EA	83.10	C
	CSTSRN5BK	16mm ² M5 STUD NUT DRVR OPTD MEL TB BLK	50	EA	83.10	C
	CSTSRN5R	16mm ² M5 STUD NUT DRVR OPTD MEL TB RED	50	EA	83.10	C
	CSTSRN5Y	16mm ² M5 STUD NUT DRVR OPTD MEL TB YLW	50	EA	83.10	C
ACCESSORIES	CSTSREP	END PLATE FOR CSTSRN5/RN6	50	EA	13.30	B
	CA509/K6WHT	6 mm WIDE MARKER BLANK	1	PKT	81.50	B
	CA509/K6WP	6 mm WIDE MARKER PRINTED	1	PKT	93.10	B



Wire Range : 1.5 - 35.0 mm²
 Current (A) : 125 A
 Voltage (V) : 1000 V
 Dimensions Width (Thickness) x Length : 26 x 43 mm
 Height with Din 32 x 15 mm Rail : 53.5 mm



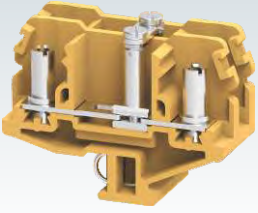
	Part #	Description	Std. Pack	UOM	List Price in	Group
TERMINAL BLOCK	CSTSRN6	35mm ² M6 STUD NUT DRVR OPTD MELAMINE TB	50	EA	101.00	C
	CSTSRN6BU	35mm ² M6 STUD NUT DRVR OPTD MEL TB BLU	50	EA	111.10	C
	CSTSRN6BK	35mm ² M6 STUD NUT DRVR OPTD MEL TB BLK	50	EA	111.10	C
	CSTSRN6R	35mm ² M6 STUD NUT DRVR OPTD MEL TB RED	50	EA	111.10	C
	CSTSRN6Y	35mm ² M6 STUD NUT DRVR OPTD MEL TB YLW	50	EA	111.10	C
ACCESSORIES	CSTSREP	END PLATE FOR CSTSRN5/RN6	50	EA	13.30	B
	CA509/K6WHT	6 mm WIDE MARKER BLANK	1	PKT	81.50	B
	CA509/K6WP	6 mm WIDE MARKER PRINTED	1	PKT	93.10	B





Wire Range : 1.5 - 6.0 mm²
 Current (A) : 41 A
 Voltage (V) : 1000 V
 Dimensions Width (Thickness) x Length : 13 x 68 mm
 Height with Din 32 x 15 mm Rail : 51.7 mm




	Part #	Description	Std. Pack	UOM	List Price in	Group
TERMINAL BLOCK	CMDT4	6 mm ² M4 STUD TYP DISCONNECT MELAMINE TB	50	EA	73.10	C
	CMDT4BU	6 mm ² M4 STUD TYP DISCON MELAMINE TB BLU	50	EA	80.40	C
	CMDT4BK	6 mm ² M4 STUD TYP DISCON MELAMINE TB BLK	50	EA	80.40	C
	CMDT4R	6 mm ² M4 STUD TYP DISCON MELAMINE TB RED	50	EA	80.40	C
	CMDT4Y	6 mm ² M4 STUD TYP DISCON MELAMINE TB YLW	50	EA	80.40	C
	CMDT4S	6 mm ² M4 STUD TYP DISCONNECT MELAMINE TB	50	EA	75.90	C
ACCESSORIES	EPCMDT4	END PLATE FOR CMDT4	50	EA	14.70	C
	CA509/K2B4WHT	6 mm WIDE MARKER BLANK	1	PKT	91.50	B
	CA509/K2B4WP	6 mm WIDE MARKER PRINTED	1	PKT	103.10	B



Wire Range : 1.5 - 6.0 mm²
 Current (A) : 32 A
 Voltage (V) : 500 V
 Dimensions Width (Thickness) x Length : 26 x 68 mm
 Height with Din 32 x 15 mm Rail : 51.7 mm




 

	Part #	Description	Std. Pack	UOM	List Price in	Group
TERMINAL BLOCK	CMDT4SH	6 mm ² M4 STUD TYPE DISCON SHORTED MEL TB	25	EA	165.60	C
	EPCMDT4	END PLATE FOR CMDT4	50	EA	14.70	C
	CA509/K2B4WHT	6 mm WIDE MARKER BLANK	1	PKT	91.50	B
ACCESSORIES	CA509/K2B4WP	6 mm WIDE MARKER PRINTED	1	PKT	103.10	B

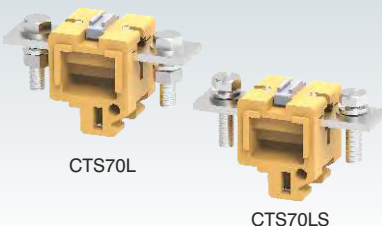


CTS35L CTS35LS

Wire Range : 16 - 50.0 mm²
 Current (A) : 150 A
 Voltage (V) : 1000 V
 Dimensions Width (Thickness) x Length : 28 x 75 mm
 Height with Din 32 x 15 mm Rail : 55.2 mm




  

	Part #	Description	Std. Pack	UOM	List Price in	Group
TERMINAL BLOCK	CTS35L	50 mm ² FEED THRU BOLT/NUT MELAMINE TB	10	EA	165.00	C
	CTS35LS	50 mm ² FEED THRU SLTD BOLT MELAMINE TB	10	EA	167.50	C
	CTS35LBU	50 mm ² FD THRU BOLT/NUT MELAMINE TB BLUE	10	EA	181.50	C
	CTS35LBK	50 mm ² FD THRU BOLT/NUT MELAMINE TB BLK	10	EA	181.50	C
	CTS35LR	50 mm ² FD THRU BOLT/NUT MELAMINE TB RED	10	EA	181.50	C
	CTS35LY	50 mm ² FD THRU BOLT/NUT MELAMINE TB YLW	10	EA	181.50	C
ACCESSORIES	EP4P	PARTITION PLATE FOR CTS35L/70L/95L	10	EA	33.90	C
	CTSEP4	END PLATE FOR CTS35L/70L	10	EA	36.00	C
	CA509/K2B4WHT	6 mm WIDE MARKER BLANK	1	PKT	91.50	B
	CA509/K2B4WP	6 mm WIDE MARKER PRINTED	1	PKT	103.10	B




CTS70L CTS70LS

Wire Range : 35 - 70.0 mm²
 Current (A) : 192 A
 Voltage (V) : 1000 V
 Dimensions Width (Thickness) x Length : 40 x 92 mm
 Height with Din 32 x 15 mm Rail : 55.2 mm

	Part #	Description	Std. Pack	UOM	List Price in	Group
TERMINAL BLOCK	CTS70L	70 mm ² FEED THRU BOLT/NUT MELAMINE TB	10	EA	270.00	C
	CTS70LS	70 mm ² FEED THRU SLTD BOLT MELAMINE TB	10	EA	287.70	C
	CTS70LBU	70 mm ² FD THRU BOLT/NUT MELAMINE TB BLUE	10	EA	297.00	C
	CTS70LBK	70 mm ² FD THRU BOLT/NUT MELAMINE TB BLK	10	EA	297.00	C
	CTS70LR	70 mm ² FD THRU BOLT/NUT MELAMINE TB RED	10	EA	297.00	C
	CTS70LY	70 mm ² FD THRU BOLT/NUT MELAMINE TB YLW	10	EA	297.00	C
ACCESSORIES	EP4P	PARTITION PLATE FOR CTS35L/70L/95L	10	EA	33.90	C
	CTSEP4	END PLATE FOR CTS35L/70L	10	EA	36.00	C
	CA509/K2B4WHT	6 mm WIDE MARKER BLANK	1	PKT	91.50	B
	CA509/K2B4WP	6 mm WIDE MARKER PRINTED	1	PKT	103.10	B




CTS95L

CTS95LS

Wire Range : 35 - 95.0 mm²
 Current (A) : 232 A
 Voltage (V) : 1000 V
 Dimensions Width (Thickness) x Length : 40 x 92 mm
 Height with Din 32 x 15 mm Rail : 55.2 mm

IECEE CE CB US

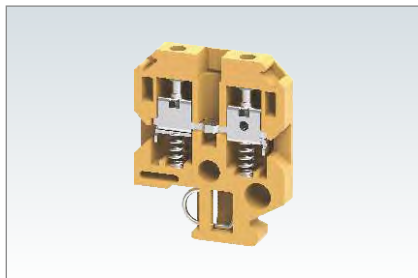
	Part #	Description	Std. Pack	UOM	List Price in	Group
TERMINAL BLOCK	CTS95L	95 mm ² FEED THRU BOLT/NUT MELAMINE TB	10	EA	315.00	C
	CTS95LS	95 mm ² FEED THRU SLTD BOLT MELAMINE TB	10	EA	317.70	C
	CTS95LBU	95 mm ² FD THRU BOLT/NUT MELAMINE TB BLUE	10	EA	346.50	C
	CTS95LBK	95 mm ² FD THRU BOLT/NUT MELAMINE TB BLK	10	EA	346.50	C
	CTS95LR	95 mm ² FD THRU BOLT/NUT MELAMINE TB RED	10	EA	346.50	C
	CTS95LY	95 mm ² FD THRU BOLT/NUT MELAMINE TB YLW	10	EA	346.50	C
ACCESSORIES	EP4P	PARTITION PLATE FOR CTS35L/70L/95L	10	EA	33.90	C
	CA509/K2B4WHT	6 mm WIDE MARKER BLANK	1	PKT	91.50	B
	CA509/K2B4WP	6 mm WIDE MARKER PRINTED	1	PKT	103.10	B



Wire Range : 0.2 - 2.5 mm²
 Current (A) : 24 A
 Voltage (V) : 400 V

IECEE CE CB US

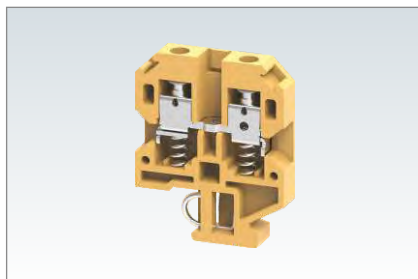
	Part #	Description	Std. Pack	UOM	List Price in	Group
TERMINAL BLOCK	CMST1	2.5 mm ² 12 POLE STRIP MELAMINE TERMINAL	20	EA	116.90	B
	CMST110W	2.5 mm ² 10 POLE STRIP MELAMINE TERMINAL	20	EA	104.50	B
	CMST12W	2.5 mm ² 2 POLE STRIP MELAMINE TERMINAL	120	EA	21.00	B
	CMST13W	2.5 mm ² 3 POLE STRIP MELAMINE TERMINAL	80	EA	31.40	B
	CMST14W	2.5 mm ² 4 POLE STRIP MELAMINE TERMINAL	60	EA	41.80	B
	CMST15W	2.5 mm ² 5 POLE STRIP MELAMINE TERMINAL	40	EA	52.40	B
	CMST16W	2.5 mm ² 6 POLE STRIP MELAMINE TERMINAL	40	EA	62.70	B
	CMST17W	2.5 mm ² 7 POLE STRIP MELAMINE TERMINAL	30	EA	73.20	B
	CMST18W	2.5 mm ² 8 POLE STRIP MELAMINE TERMINAL	30	EA	83.50	B
	CMST19W	2.5 mm ² 9 POLE STRIP MELAMINE TERMINAL	25	EA	94.10	B
ACCESSORIES	CMSTPP	PARTITION PLATE FOR CMST	10	EA	8.00	B



Wire Range : 0.2 - 4.0 mm²
 Current (A) : 32 A
 Voltage (V) : 600 V
 Dimensions Width (Thickness) x Length : 6.7 x 40 mm
 Height with Din 32 x 15 mm Rail : 52 mm



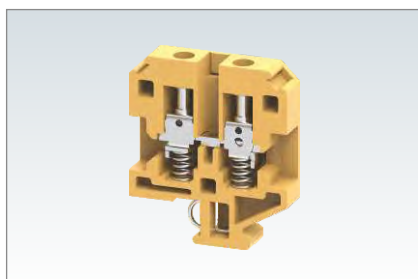
	Part #	Description	Std. Pack	UOM	List Price in	Group
TERMINAL BLOCK	CTS4SC	4 mm ² FD THRU SPRING LOADED MELAMINE TB	200	EA	25.50	C
ACCESSORIES	CTSEP1	END PLATE FOR CTS2.5/6/10	50	EA	6.70	C
	CTSPP1L	PARTITION PLATE FOR CTS2.5/6/10 LONG	50	EA	14.10	C
	CTSPP1B	PARTITION PLATE FOR CTS2.5/6/10 BROAD	50	EA	15.30	C
	CA509/K2WHT	6 mm WIDE MARKER BLANK	1	PKT	81.50	B
	CA509/K2WP	6 mm WIDE MARKER PRINTED	1	PKT	93.10	B



Wire Range : 1.5 - 6.0 mm²
 Current (A) : 41 A
 Voltage (V) : 600 V
 Dimensions Width (Thickness) x Length : 8 x 40 mm
 Height with Din 32 x 15 mm Rail : 52 mm



	Part #	Description	Std. Pack	UOM	List Price in	Group
TERMINAL BLOCK	CTS6SC	6 mm ² FD THRU SPRING LOADED MELAMINE TB	200	EA	43.00	C
ACCESSORIES	CTSEP1	END PLATE FOR CTS2.5/6/10	50	EA	6.70	C
	CTSPP1L	PARTITION PLATE FOR CTS2.5/6/10 LONG	50	EA	14.10	C
	CTSPP1B	PARTITION PLATE FOR CTS2.5/6/10 BROAD	50	EA	15.30	C
	CA509/K2WHT	6 mm WIDE MARKER BLANK	1	PKT	81.50	B
	CA509/K2WP	6 mm WIDE MARKER PRINTED	1	PKT	93.10	B



Wire Range : 1.5 - 10.0 mm²
 Current (A) : 57 A
 Voltage (V) : 800 V
 Dimensions Width (Thickness) x Length : 11 x 50 mm
 Height with Din 32 x 15 mm Rail : 59.5 mm



	Part #	Description	Std. Pack	UOM	List Price in	Group
TERMINAL BLOCK	CTS10SC	10 mm ² FD THRU SPRING LOADED MELAMINE TB	100	EA	45.90	C
ACCESSORIES	CTSEP1SC	END PLATE FOR CTS10SC	50	EA	13.30	C
	CTSPP1SC	PARTITION PLATE FOR CTS10SC	50	EA	17.30	C
	CA509/K2WHT	6 mm WIDE MARKER BLANK	1	PKT	81.50	B
	CA509/K2WP	6 mm WIDE MARKER PRINTED	1	PKT	93.10	B

MELAMINE TERMINAL BLOCKS



Wire Range : 0.5 - 2.5 mm²
 Current (A) : 24 A
 Voltage (V) : 800 V
 Dimensions Width (Thickness) x Length : 25 x 19 mm



Part #	Description	Std. Pack	UOM	List Price in	Group
CB4/1	4 mm ² 1 POLE FLOATING TYPE CERAMIC TB	50	EA	28.90	A
CB4/2	4 mm ² 2 POLE FLOATING TYPE CERAMIC TB	100	EA	53.10	A
CB4/2H	4 mm ² 2 POLE WITH MOUNT HOLE CERAMIC TB	50	EA	57.70	A
CB4/3	4 mm ² 3 POLE FLOATING TYPE CERAMIC TB	50	EA	75.90	A
CB4/3H	4 mm ² 3 POLE WITH MOUNT HOLE CERAMIC TB	50	EA	86.60	A



Wire Range : 0.5 - 4.0 mm²
 Current (A) : 32 A
 Voltage (V) : 800 V
 Dimensions Width (Thickness) x Length : 25 x 19 mm



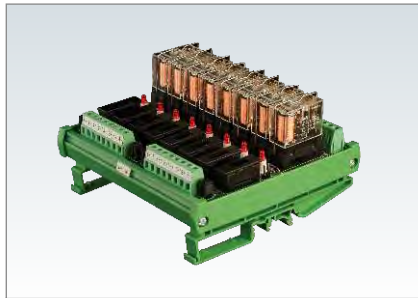
Part #	Description	Std. Pack	UOM	List Price in	Group
CB6/1	6 mm ² 1 POLE FLOATING TYPE CERAMIC TB	50	EA	35.00	A
CB6/2H	6 mm ² 2 POLE WITH MOUNT HOLE CERAMIC TB	50	EA	70.00	A
CB6/3H	6 mm ² 3 POLE WITH MOUNT HOLE CERAMIC TB	50	EA	105.00	A
CB6/4H	6 mm ² 4 POLE WITH MOUNT HOLE CERAMIC TB	50	EA	129.10	A



Wire Range : 1.5 - 10.0 mm²
 Current (A) : 57 A
 Voltage (V) : 800 V
 Dimensions Width (Thickness) x Length : 29 x 24 mm



Part #	Description	Std. Pack	UOM	List Price in	Group
CB16/2H	10 mm ² 2 POLE WITH MOUNT HOLE CERAMIC TB	50	EA	96.20	A
CB16/3H	10 mm ² 3 POLE WITH MOUNT HOLE CERAMIC TB	50	EA	144.20	A



Wire Range : 0.2 - 2.5 mm²
 Coil Voltage (V) : 24VDC, 110VAC, 230VAC
 Dimensions
 Height x Length : 74 X 120 mm



Part #	Description	Std. Pack	UOM	List Price in	Group
IMRE1SF8/110A/OM	1CO 8CH RLY MOD 110--OMRON FUSE RAIL MT (IMRE1SF8/110A/OM)	1	EA	3293.10	E
IMRE1SSF16/110A/OM	1CO 16CH RLY MOD 110AC BASE OM FU RL	1	EA	6942.60	E
IMRE1SSF16/24/OM	1CO 16CH G2RL MOD 24DC BASE OM FUSE R (IMRE1SSF16/24/OM)	1	EA	4476.30	E
IMRE1SSF16/CNCD24D	1NO 16CH FU 24DSSR125DBASE IDC50 RL MT	1	EA	19281.20	E
IMRE1SSF16/OM/CNC	1CO 16CH FU G2RL-1 RLY 24DC IDC50 RL MT	1	EA	5571.70	E
IMRE2SSF1/24/OM	2CO 1CH RLY MOD 24DC BASE OM FUSE RL	1	EA	468.10	E
IMRE2SSF2/24/OM	2CO 2CH O/P FUSE RL MOD 24DC BASE OM (IMRE2SSF2/24/OM)	1	EA	883.80	E
IMRE2SSF4/110A/OM	2CO 4CH RLY MOD 110A BS OM FU RL MT	1	EA	2166.90	E
IMRE2SSF4/24/OM	2CO 4CH RLY MOD 24DC BASE OM FUSE RL (IMRE2SSF4/24/OM)	1	EA	1553.90	E
IMRE2SSF8/230A/OM	2CO 8CH RLY MOD 230A BASE OM FUSE RL MT (IMRE2SSF8/230A/OM)	1	EA	4861.20	E
IMRE2SSF8/24/OM	2CO 8CH G2R MOD 24DC BASE NEG RAIL MT (IMRE2SSF8/24/OM)	1	EA	2865.40	E
IMRE2SSF14/24/OM/1	2CO 4CH 24DC BAS OM G2RL FU FL O/P24DCRL	1	EA	2126.50	E
IMREF1SS4/24/OM	1CO 4CH IP FUSE RLMOD 24DC BASE OM R	1	EA	1226.00	E
IMREF1SS8/110A/OM	1CO 8CH IP FU RL 110AC BS OM RLMT	1	EA	3435.60	E
IMREF1SS8/24/OM	1CO 8CH IP FUSE RLMOD 24DC BASE OM R (IMREF1SS8/24/OM)	1	EA	2223.90	E
IMREF2SS8/230A/OM	2CO 8CH IP FU RLY 230AC B OM RL MT (IMREF2SS8/230A/OM)	1	EA	4576.10	E
IMREF2SS8/24/OM	2CO 8CH IP FUSE RL MOD 24DC BASE OM	1	EA	2865.40	E



Wire Range : 0.2 - 2.5 mm²
 Coil Voltage (V) : 24VDC, 110VAC, 230VAC
 Dimensions
 Height x Length : 54 X 77 mm



Part #	Description	Std. Pack	UOM	List Price in	Group
CIMRE1SS2/12/OM	1CO 2CH CW RLY MOD 12DC BASE OM RAIL MT	1	EA	754.90	E
CIMRE1SS2/24/OM	1CO 2CH CW RLY MOD 24DC BASE OM RAIL MT	1	EA	525.90	E
CIMRE1SS2/24A/OM	1CO 2CH CW RLY MOD 24AC BASE OM RAIL MT	1	EA	1030.30	E
CIMRE1SS2/110A/OM	1CO 2CH CW RLY MOD 110AC BASE OM RAIL MT	1	EA	955.80	E
CIMRE1SS2/230A/OM	1CO 2CH CW RLY MOD 230AC BASE OM RAIL MT	1	EA	1165.30	E
CIMRE1SS4/12/OM	1CO 4CH CW RLY MOD 12DC BASE OM RAIL MT	1	EA	1373.70	E
CIMRE1SS4/24/OM	1CO 4CH CW RLY MOD 24DC BASE OM RAIL MT	1	EA	912.60	E
CIMRE1SS4/24A/OM	1CO 4CH CW RLY MOD 24AC BASE OM RAIL MT	1	EA	2128.60	E
CIMRE1SS4/110A/OM	1CO 4CH CW RLY MOD 110AC BASE OM RAIL MT	1	EA	1840.30	E
CIMRE1SS4/230A/OM	1CO 4CH CW RLY MOD 230AC BASE OM RAIL MT	1	EA	2122.20	E
CIMRE1SS8/12/OM	1CO 8CH CW RLY MOD 12DC BASE OM RAIL MT	1	EA	2582.20	E
CIMRE1SS8/24/OM	1CO 8CH CW RLY MOD 24DC BASE OM RAIL MT	1	EA	1717.20	E
CIMRE1SS8/24A/OM	1CO 8CH CW RLY MOD 24AC BASE OM RAIL MT	1	EA	3358.80	E
CIMRE1SS8/110A/OM	1CO 8CH CW RLY MOD 110AC BASE OM RAIL MT	1	EA	3639.60	E
CIMRE1SS8/230A/OM	1CO 8CH CW RLY MOD 230AC BASE OM RAIL MT	1	EA	3970.00	E
CIMRE2SS2/12/OM	2CO 2CH CW RLY MOD 12DC BASE OM RAIL MT	1	EA	949.70	E
CIMRE2SS2/24/OM	2CO 2CH CW RLY MOD 24DC BASE OM RAIL MT	1	EA	731.40	E
CIMRE2SS2/24A/OM	2CO 2CH CW RLY MOD 24AC BASE OM RAIL MT	1	EA	1139.00	E
CIMRE2SS2/110A/OM	2CO 2CH CW RLY MOD 110AC BASE OM RAIL MT	1	EA	1121.00	E
CIMRE2SS2/230A/OM	2CO 2CH CW RLY MOD 230AC BASE OM RAIL MT	1	EA	1144.80	E
CIMRE2SS4/12/OM	2CO 4CH CW RLY MOD 12DC BASE OM RAIL MT	1	EA	1756.10	E
CIMRE2SS4/24/OM	2CO 4CH CW RLY MOD 24DC BASE OM RAIL MT	1	EA	1249.50	E
CIMRE2SS4/24A/OM	2CO 4CH CW RLY MOD 24AC BASE OM RAIL MT	1	EA	2122.40	E
CIMRE2SS4/110A/OM	2CO 4CH CW RLY MOD 110AC BASE OM RAIL MT	1	EA	2142.70	E
CIMRE2SS4/230A/OM	2CO 4CH CW RLY MOD 230AC BASE OM RAIL MT	1	EA	2175.10	E
CIMRE2SS8/12/OM	2CO 8CH CW RLY MOD 12DC BASE OM RAIL MT	1	EA	3214.00	E
CIMRE2SS8/24/OM	2CO 8CH CW RLY MOD 24DC BASE OM RAIL MT	1	EA	2361.90	E
CIMRE2SS8/24A/OM	2CO 8CH CW RLY MOD 24AC BASE OM RAIL MT	1	EA	3988.30	E
CIMRE2SS8/110A/OM	2CO 8CH CW RLY MOD 110AC BASE OM RAIL MT	1	EA	3845.80	E
CIMRE2SS8/230A/OM	2CO 8CH CW RLY MOD 230AC BASE OM RAIL MT	1	EA	4148.20	E



Wire Range : 0.2 - 2.5 mm²
 Coil Voltage (V) : 24VDC, 48-60V
 110V, 230VAC
 Dimensions Width
 (Thickness) x Length : 6 X 94.5 mm
 Height : 96 mm



Part #	Description	Std. Pack	UOM	List Price in	Group	
CSER1-24D48D4XC	SLIM RELY MOD SSR 1NO 24VDC SP CL	10	EA	1275.10	E	
CSER1-24D48D4XD	SLIM RELY MOD SSR 1NO 24VDC SP CL	10	EA	1229.50	E	
CSER1-24D48D4YC	SLIM RELY MOD SSR 1NO 24VDC SW CL	10	EA	1275.10	E	
CSER1-24D48D4YD	SLIM RELY MOD SSR 1NO 24VDC SW CL	10	EA	1229.50	E	
CSER1-24D48D100XC	SLIM RELY MOD SSR 1NO 24VDC SP CL	10	EA	819.70	E	
CSER1-24D48D100XD	SLIM RELY MOD SSR 1NO 24VDC SP CL	10	EA	819.70	E	
CSER1-24D48D100YC	SLIM RELY MOD SSR 1NO 24VDC SW CL	10	EA	819.70	E	
CSER1-24U48D4XC	SLIM RELY MOD SSR 1NO 24VAC/DC SP CL	10	EA	1310.80	E	
CSER1-24U48D4YC	SLIM RELY MOD SSR 1NO 24VAC/DC SW CL	10	EA	1310.80	E	
CSER1-24U48D4YD	SLIM RELY MOD SSR 1NO 24VAC/DC SW CL	10	EA	1264.00	E	
CSER1-24U48D100XC	SLIM RELY MOD SSR 1NO 24VAC/DC SP CL	10	EA	847.00	E	
CSER1-24U48D100YC	SLIM RELY MOD SSR 1NO 24VAC/DC SW CL	10	EA	847.00	E	
CSER1-24U48D100YD	SLIM RELY MOD SSR 1NO 24VAC/DC SW CL	10	EA	847.00	E	
CSER1-24D380A2XC	SLIM RELY MOD SSR 1NO 24VDC SP CL	10	EA	956.30	E	
CSER1-24D380A2YC	SLIM RELY MOD SSR 1NO 24VDC SW CL	10	EA	956.30	E	
CSER1-24U380A2XC	SLIM RELY MOD SSR 1NO 24VAC/DC SP CL	10	EA	956.30	E	
CSER1-24U380A2YC	SLIM RELY MOD SSR 1NO 24VAC/DC SW CL	10	EA	956.30	E	
CSER1-4860U48D4XC	SLIM RELY MOD SSR 1NO 48-60VAC/DC SP CL	10	EA	1310.80	E	
CSER1-4860U48D4YC	SLIM RELY MOD SSR 1NO 48-60VAC/DC SW CL	10	EA	1310.80	E	
CSER14860U48D100XC	SLIM RELY MOD SSR 1NO 48-60VAC/DC SP CL	10	EA	847.00	E	
CSER14860U48D100YC	SLIM RELY MOD SSR 1NO 48-60VAC/DC SW CL	10	EA	847.00	E	
CSER1-4860U380A2XC	SLIM RELY MOD SSR 1NO 48-60VAC/DC SP CL	10	EA	956.30	E	
CSER1-4860U380A2YC	SLIM RELY MOD SSR 1NO 48-60VAC/DC SW CL	10	EA	956.30	E	
CSER1-120U48D4XC	SLIM RELY MOD SSR 1NO 120VAC/DC SP CL	10	EA	1310.80	E	
CSER1-120U48D4YC	SLIM RELY MOD SSR 1NO 120VAC/DC SW CL	10	EA	1310.80	E	
CSER1-120U48D100XC	SLIM RELY MOD SSR 1NO 120VAC/DC SP CL	10	EA	847.00	E	
CSER1-120U48D100YC	SLIM RELY MOD SSR 1NO 120VAC/DC SW CL	10	EA	847.00	E	
CSER1-120U380A2XC	SLIM RELY MOD SSR 1NO 120VAC/DC SP CL	10	EA	956.30	E	
CSER1-120U380A2YC	SLIM RELY MOD SSR 1NO 120VAC/DC SW CL	10	EA	956.30	E	
CSER1-230A48D4XC	SLIM RELY MOD SSR 1NO 230VAC SP CL	10	EA	1382.30	E	
CSER1-230A48D4YC	SLIM RELY MOD SSR 1NO 230VAC SW CL	10	EA	1382.30	E	
CSER1-230A48D100XC	SLIM RELY MOD SSR 1NO 230VAC SP CL	10	EA	956.30	E	
CSER1-230A48D100YC	SLIM RELY MOD SSR 1NO 230VAC SW CL	10	EA	956.30	E	
CSER1-230A380A2XC	SLIM RELY MOD SSR 1NO 230VAC SP CL	10	EA	990.70	E	
CSER1-230A380A2YC	SLIM RELY MOD SSR 1NO 230VAC SW CL	10	EA	990.70	E	
ACCESSORIES	JX4/2	2 POLE SHRT LNK FR 6MM WIDE SP CL TB	100	EA	16.20	A
	JX4/3	3 POLE SHRT LNK FR 6MM WIDE SP CL TB	50	EA	27.80	A
	JX4/16	16 POLE SHRT LNK FR 6MM WIDE SP CL TB	10	EA	153.10	A
	CA509/K6WHT	6 mm WIDE MARKER BLANK	1	PKT	81.50	B
	CA509/K6WP	CA509/K6-P PRINTED MARKERS WHT	1	PKT	93.10	B



Wire Range : 0.2 - 2.5 mm²
 Coil Voltage (V) : 24VDC, 48-60V
 110V, 230VAC
 Dimensions Width
 (Thickness) x Length : 6 X 94.5 mm
 Height : 96 mm



Part #	Description	Std. Pack	UOM	List Price in	Group
CSR1S-5DXA	SLIM RELY MOD EMR 1CO 5VDC SP CL	10	EA	451.40	E
CSR1S-5DYA	SLIM RELY MOD EMR 1CO 5VDC SW CL	10	EA	451.40	E
CSR1S-24DXA	SLIM RELY MOD EMR 1CO 24VDC SP CL	10	EA	393.70	E
CSR1S-24DXB	SLIM RELY MOD CW EMR 1CO 24VDC SP CL	10	EA	376.50	E
CSR1S-24DYA	SLIM RELY MOD EMR 1CO 24VDC SW CL	10	EA	393.70	E
CSR1S-24DYB	SLIM RELY MOD CW EMR 1CO 24VDC SW CL	10	EA	376.50	E
CSR1S-12UXA	SLIM RELY MOD EMR 1CO 12VAC/DC SP CL	10	EA	451.40	E
CSR1S-12UYA	SLIM RELY MOD EMR 1CO 12VAC/DC SW CL	10	EA	451.40	E
CSR1S-24UXA	SLIM RELY MOD EMR 1CO 24VAC/DC SP CL	10	EA	471.90	E
CSR1S-24UXB	SLIM RELY MOD CW EMR 1CO 24VAC/DC SP CL	10	EA	451.40	E
CSR1S-24UYA	SLIM RELY MOD EMR 1CO 24VAC/DC SW CL	10	EA	471.90	E
CSR1S-24UYB	SLIM RELY MOD CW EMR 1CO 24VAC/DC SW CL	10	EA	451.40	E
CSR1S-48-60UXA	SLIM RELY MOD EMR 1CO 48-60VAC/DC SP CL	10	EA	471.90	E
CSR1S-48-60UXB	SLIM RELY MOD CW EMR 1CO 48-60VAC/DC SP CL	10	EA	451.40	E
CSR1S-48-60UYA	SLIM RELY MOD EMR 1CO 48-60VAC/DC SW CL	10	EA	471.90	E
CSR1S-48-60UYB	SLIM RELY MOD CW EMR 1CO 48-60VAC/DC SW CL	10	EA	451.40	E
CSR1S-120UXA	SLIM RELY MOD EMR 1CO 120VAC/DC SP CL	10	EA	471.90	E
CSR1S-120UXB	SLIM RELY MOD CW EMR 1CO 120VAC/DC SP CL	10	EA	451.40	E
CSR1S-120UYA	SLIM RELY MOD EMR 1CO 120VAC/DC SW CL	10	EA	471.90	E
CSR1S-120UYB	SLIM RELY MOD CW EMR 1CO 120VAC/DC SW CL	10	EA	451.40	E
CSR1S-230AXA	SLIM RELY MOD EMR 1CO 230VAC SP CL	10	EA	571.30	E
CSR1S-230AXB	SLIM RELY MOD CW EMR 1CO 230VAC SP CL	10	EA	546.40	E
CSR1S-230AYA	SLIM RELY MOD EMR 1CO 230VAC SW CL	10	EA	571.30	E
CSR1S-230AYB	SLIM RELY MOD CW EMR 1CO 230VAC SW CL	10	EA	546.40	E
CSR1S-230UXA	SLIM RELY MOD EMR 1CO 230VAC/DC SP CL	10	EA	631.10	E
CSR1S-230UXA-SN	SLIM RELY MOD EMR 1CO 230VUC-SN SP CL	10	EA	1209.60	E
CSR1S-230UXB	SLIM RELY MOD CW EMR 1CO 230VAC/DC S	10	EA	582.10	E
CSR1S-230UYA	SLIM RELY MOD EMR 1CO 230VAC/DC SW CL	10	EA	619.80	E
CSR1S-230UYA-SN	SLIM RELY MOD EMR 1CO 230VUC-SN SC CL	10	EA	1209.60	E
CSR1S-230UYB	SLIM RELY MOD CW EMR 1CO 230VAC/DC S	10	EA	582.10	E
ADID24V	ADID ADAPTOR	1	EA	1792.00	D
ADIF24V	ADIF ADAPTOR	1	EA	1792.00	D
ADOD24V	ADOD ADAPTOR	1	EA	1792.00	D
ADOF24V	ADOF ADAPTOR	1	EA	1792.00	D
IMACC/SER/24D48D4	IM ACC SSR 24DC IN & DC OUT 4A	50	EA	1121.10	E
IMACC/SR1S/12	IM ACC SLIM RELAY 1CO 12VDC	50	EA	247.10	E
IMACC/SR1S/24	IM ACC SLIM RELAY 1CO 24VDC	50	EA	218.50	E
IMACC/SR1S/60	IM ACC SLIM RELAY 1CO 60VDC	50	EA	406.50	E
SRL1-24D	CW SLIM RELAY SPDT 24VDC 1 CO	1	EA	222.60	E
JX4/2	2 POLE SHRT LNK FR 6MM WIDE SP CL TB	100	EA	16.20	A
JX4/3	3 POLE SHRT LNK FR 6MM WIDE SP CL TB	50	EA	27.80	A
JX4/16	16 POLE SHRT LNK FR 6MM WIDE SP CL TB	10	EA	153.10	A
CA509/K6WHT	6 mm WIDE MARKER BLANK	1	PKT	81.50	B
CA509/K6WHP	CA509/K6-P PRINTED MARKERS WHT	1	PKT	93.10	B



Wire Range : 0.2 - 2.5 mm²
 Coil Voltage (V) : 10.2 - 30 VDC
 Dimensions Width (Thickness) x Length : 40 X 124 mm
 Height : 125.5 mm



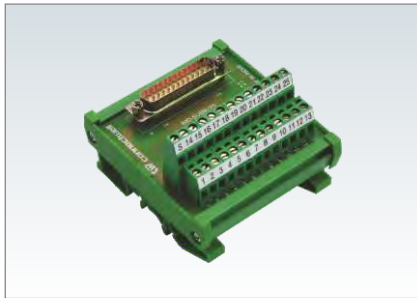
	Part #	Description	Std. Pack	UOM	List Price in	Group	
REDUNDANCY MODULE	CDR10	24V, 10A REDUNDANT MODULE	1	EA	2160.00	E	
	CDR20	24V, 20A REDUNDANT MODULE	1	EA	3240.00	E	



Wire Range : 0.2 - 2.5 mm²
 Coil Voltage (V) : 10.2 - 30 VDC
 Dimensions Width (Thickness) x Length : 40 X 105 mm
 Height : 90 mm



	Part #	Description	Std. Pack	UOM	List Price in	Group	
POWER SUPPLIES	CSS50/24/2.1	SMPS CW 1PH 50W 24VDC 2.1A	1	EA	1530.00	E	
	CSS60/24/2.5	SMPS CW 1PH 60W 24VDC 2.5A	1	EA	1560.00	E	
	CSS120/24/5	SMPS CW 1PH 120W 24VDC 5A	1	EA	3700.00	E	
	CSS240/24/10	SMPS 1PH 240W 24VDC 10A RL MNTG	1	EA	6800.00	E	
	CSS480/24/20	SMPS 1PH 480W 24VDC 20A RL MNTG	1	EA	12600.00	E	



Wire Range : 0.2 - 2.5 mm²
 Coil Voltage (V) : 9, 15, 25, 37, 50
 Dimensions
 Height x Length : 65 X 88 mm



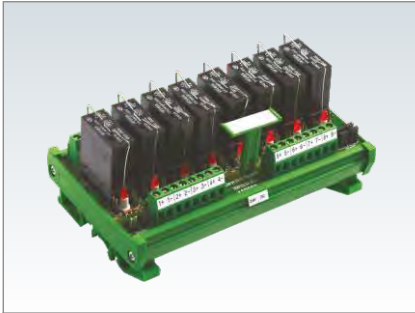
Part #	Description	Std. Pack	UOM	List Price in	Group
IMDSUBM/9/S	9PIN M-DSUB MOD RAIL MNT	1	EA	285.10	D
IMDSUBM/9/SC	9PIN M-DSUB MOD SPRING CAGE TB RAIL MNT	1	EA	354.80	D
IMDSUBF/9/H	9PIN F-DSUB MOD WTH HOLE RAIL MNT	1	EA	327.80	D
IMDSUBM/9/8CH	9 PIN M-DSUB 8CH MOD RAIL MNT	1	EA	1824.70	D
IMDSUBM/9/L1	9PIN M-DSUB MOD LED INDIC. RAIL MNT	1	EA	370.60	D
IMDSUBF/15/H	15PIN F-DSUB MOD WTH HOLE RAIL MNT	1	EA	484.70	D
IMDSUBM/15/H	15PIN M-DSUB MOD WTH HOLE RAIL MNT	1	EA	456.10	D
IMDSUBM/15/S	15PIN M-DSUB MOD RAIL MNT	1	EA	370.60	D
IMDSUBF/15/S	15PIN F-DSUB MOD RAIL MNT	1	EA	370.60	D
IMDSUBF/15/SC	15PIN F-DSUB MOD SPRING CAGE TB RAIL MNT (IMDSUBF/15/SC)	1	EA	517.40	D
IMDSUBM/15/SC	15PIN M-DSUB MOD SPRING CAGE TB RAIL MNT	1	EA	517.40	D
IMDSUBM/25/S	25PIN M-DSUB MOD RAIL MNT	1	EA	570.20	D
IMDSUBF/25/S	25PIN F-DSUB MOD RAIL MNT	1	EA	570.20	D
IMDSUBM/25/H	25PIN M-DSUB MOD WTH HOLE RAIL MNT	1	EA	684.20	D
IMDSUBF/25/H	25PIN F-DSUB MOD WTH HOLE RAIL MNT	1	EA	684.20	D
IMDSUBM/25/SC	25PIN M-DSUB MOD SPRING CAGE TB RAIL MNT	1	EA	798.30	D
IMDSUBM/25/L1	25PIN M-DSUB MOD LED INDIC. RAIL MNT	1	EA	812.50	D
IMDSUBM/25/MIL	25PIN M-DSUB MIL(LCSO) GRD MOD RLMT	1	EA	1475.40	D
IMDSUBM/37/S	37PIN M-DSUB MOD RAIL MNT	1	EA	812.50	D
IMDSUBF/37/S	37PIN F-DSUB MOD RAIL MNT	1	EA	812.50	D
IMDSUBM/37/SC	37PIN M-DSUB MOD SPRING CAGE TB RAIL MNT	1	EA	1217.20	D
IMDSUBF/37/SC	37PIN F-DSUB SPRING CAGE RAIL MT	1	EA	1147.00	D
IMDSUBM/37/H	37PIN M-DSUB MOD WTH HOLE RAIL MNT (IMDSUBM/37/H)	1	EA	969.40	D
IMDSUBF/37/H	37PIN F-DSUB MOD WTH HOLE RAIL MNT	1	EA	969.40	D
IMDSUBM/37/L1	37PIN M-DSUB MOD LED INDIC. RAIL MNT	1	EA	1226.00	D
IMDSUBF/37/L1	37PIN F-DSUB MOD LED INDIC. RAIL MNT	1	EA	1226.00	D
IMDSUBM/50/S	50PIN M-DSUB MOD RAIL MNT	1	EA	983.60	D
IMDSUBF/50/S	50PIN F-DSUB MOD RAIL MNT	1	EA	983.60	D
IMDSUBF/50/SC	50PIN F-DSUB SPRING CAGE RAIL MT (IMDSUBF/50/SC)	1	EA	1641.00	D



Wire Range : 0.2 - 2.5 mm²
 No. of Channels : 10, 14, 16, 20, 26, 34, 40, 50, 60
 Dimensions
 Height x Length : 65 X 88 mm



Part #	Description	Std. Pack	UOM	List Price in	Group
IMIDC/10/H/L	10PIN IDC MOD LNG LTCH WTH HOLE RAIL MNT	1	EA	299.30	D
IMIDC/10/S/L	10PIN IDC MOD LNG LTCH RAIL MNT	1	EA	256.60	D
IMIDC/10/SC/L	10PIN IDC MOD SPR TB LNG LTCH RAIL MNT	1	EA	310.40	D
IMIDC/10/SC/LP	10PIN IDC MOD SPR TB LNG LTCH PNL MNTG	1	EA	310.40	D
IMIDC/14/S/L	14PIN IDC MOD LNG LTCH RAIL MNT	1	EA	327.80	D
IMIDC/16/S/L	16PIN IDC MOD LNG LTCH RAIL MNT	1	EA	356.40	D
IMIDC/20/H/L	20PIN IDC MOD LNG LTCH WTH HOLE RAIL (IMIDC/20/H/L)	1	EA	498.90	D
IMIDC/20/L1/L	20PIN IDC MOD LONG LATCH LED INDIC.	1	EA	741.30	D
IMIDC/20/S/L	20PIN IDC MOD LNG LTCH RAIL MNT	1	EA	441.90	D
IMIDC/20/SC/L	20PIN IDC MOD SPR TB LNG LTCH RAIL MNT	1	EA	768.70	D
IMIDC/26/H/L	26PIN IDC MOD LNG LTCH WTH HOLE RAIL MNT	1	EA	670.00	D
IMIDC/26/S/L	26PIN IDC MOD LNG LTCH RAIL MNT	1	EA	555.90	D
IMIDC/34/H/L	34PIN IDC MOD LNG LTCH WTH HOLE RAIL MNT (IMIDC/34/H/L)	1	EA	641.50	D
IMIDC/34/S/L	34PIN IDC MOD LNG LTCH RAIL MNT	1	EA	613.00	D
IMIDC/34/SC/L	34PIN IDC MOD SPR TB LNG LTCH RAIL MNT	1	EA	798.30	D
IMIDC/40/H/L	40PIN IDC MOD LNG LTCH WTH HOLE RAIL MNT	1	EA	855.30	D
IMIDC/40/L1/L	40PIN IDC MOD LONG LATCH LED INDIC (IMIDC/40/L1/L)	1	EA	1425.60	D
IMIDC/40/S/L	40PIN IDC MOD LNG LTCH RAIL MNT	1	EA	727.00	D
IMIDC/40/S/L-1	40PIN IDC MOD LNG LTCH RL MT WITH CABLE	1	EA	3278.80	D
IMIDC/40/SC/L	40PIN IDC MOD SPR TB LNG LTCH RAIL MNT	1	EA	1020.00	D
IMIDC/50/H/L	50PIN IDC MOD LNG LTCH WTH HOLE RAIL MNT	1	EA	1083.40	D
IMIDC/50/L1/L	50PIN IDC LONG LATCH LED INDIC RAIL (IMIDC/50/L1/L)	1	EA	1596.60	D
IMIDC/50/S/L	50PIN IDC MOD LNG LTCH RAIL MNT	1	EA	955.10	D
IMIDC/50/SC/L	50PIN IDC SPR LNG LTCH RAIL MT IMIDC/50/SC/L	1	EA	1271.40	D
IMIDC/64/S/L	64PIN IDC MOD LNG LTCH RAIL MNT	1	EA	1297.20	D



Wire Range : 0.2 - 2.5 mm²
 Coil Voltage (V) : 5VDC, 12VDC, 24VDC
 Dimensions
 Height x Length : 74 X 88 mm



Part #	Description	Std. Pack	UOM	List Price in	Group
IMERS1/05D125D2	1CH SSR MOD 05DC IN/OUT 2A BASE RL MNTG	1	EA	627.20	E
IMER4/05D125D2	4CH SSR MOD 05DC IN/OUT 2A ON PCB RL MTG	1	EA	2217.60	E
IMERS1/24D125D2	1CH SSR MOD 24DC IN/OUT 2A BASE RL MNTG	1	EA	926.60	E
IMERS1/24D400A3	1CH SSR 24DC I/P AC 0/P 3A BASE RL MNTG	1	EA	1215.30	E
IMERS2/24D125D2	2CH SSR MOD 24DC IN/OUT 2A BASE RL MNTG	1	EA	1667.90	E
IMERS2/24D400A3	2CH SSR 24DC I/P AC 0/P 3A BS RL MTG	1	EA	2665.80	E
IMERS4/24D125D2	4CH SSR MOD 24DC IN/OUT 2A BASE RL MNTG	1	EA	3592.50	E
IMERS4/24D400A3	4CH SSR 24DC I/P AC 0/P 3A BASE RL MNTG	1	EA	4431.20	E
IMER4/24D125D2	4CH SSR MOD 24DC IN/OUT 2A RL MNTG	1	EA	3464.20	E
IMER4/24D400A3	4CH SSR 24DC I/P AC 0/P 3A RL MNTG	1	EA	5125.00	E
IMERS8/05D125D2	8CH SSR MOD 05DC IN/OUT 2A BASE RL MT (IMERS8/05D125D2)	1	EA	4433.60	E
IMERS8/05D400A3	8CH SSR 05DC I/P AC 0/P 3A BS RL MTG	1	EA	6572.00	E
IMER8/05D125D2	8CH SSR 05DC IN/OUT 2A ON PCB RL MT	1	EA	4346.40	E
IMERS8/24D125D2	8CH SSR MOD 24DC IN/OUT 2A BASE RL MNTG	1	EA	7142.20	E
IMERS8/24D400A3	8CH SSR 24DC I/P AC 0/P 3A BASE RL MNTG	1	EA	10620.70	E
IMER8/24D125D2	8CH SSR MOD 24DC IN/OUT 2A ON PCB RL MTG	1	EA	6857.10	E
IMER8/24D400A3	8CH SSR 24DC I/P AC 0/P 3A RL MNTG	1	EA	10378.30	E
IMERS16/24D400A3	16CH SSR 24DC I/P AC 0/P 3A BASE RL MNTG (IMERS16/24D400A3)	1	EA	19458.20	E



Wire Range : 0.2 - 2.5 mm²
 Coil Voltage (V) : 12VDC, 24VDC, 110VAC, 230VAC
 Dimensions
 Height x Length : 74 X 120 mm



Part #	Description	Std. Pack	UOM	List Price in	Group
IMERSF2/05D125D2	2CH SSR 05DC IN/OUT FU 2A BASE RL MNTG (IMERSF2/05D125D2)	1	EA	2494.80	E
IMERSF2/24D125D2	2CHSSR24DC IN/OUT FU2A BASE RLMNTG	1	EA	1881.70	E
IMERSF2/24D400A3	2CH SSR 24DC I/P AC 0/P 3A FU BSE RL MT	1	EA	2522.10	E
IMERSF4/24D125D2	4CH SSR 24DC IN/OUT FU 2A BASE RL MNTG	1	EA	3706.50	E
IMERSF4/24D400A3	4CH SSR 24DC I/P AC 0/P 3A FU RLMT	1	EA	5545.50	E
IMERSF8/05D125D2	8CH SSR 05DC IN/OUT FU 2A BASE RL MNTG (IMERSF8/05D125D2)	1	EA	8468.00	E
IMERSF8/05D400A3	8CH SSR 05DC IN/AC OUT 3A FU BASE RL MT	1	EA	6842.80	E
IMERSF8/24D125D2	8CH SSR 24DC IN/OUT FU 2A BASE RL MNTG	1	EA	7370.30	E
IMERSF8/24D400A3	8CH SSR 24DC I/P AC 0/P 3A FU BASE RL MT	1	EA	9970.80	E
IMERSFC8/24D400A3	8CH SSR 24DC I/P AC 0/P3A .5AF BASE RLMT (IMERSFC8/24D400A3)	1	EA	9970.80	E
IMERSF16/05D125D2	16CH SSR 5DC IN/OUT FU 2A BASE RL MNTG (IMERSF16/05D125D2)	1	EA	18390.20	E
IMERSF16/24D125D2	16CH SSR 24DC IN/OUT FU 2A BASE RL MNTG	1	EA	18532.80	E
IMERSF16/24D400A3	16CH SSR 24DC I/P AC 0/P 3A FU BSE RL MT	1	EA	22762.00	E



Wire Range : 0.2 - 2.5 mm²
 Rated Current : 300 V
 Rated Voltage : 12 A
 Dimensions
 Width x Length : 55 X 106 mm
 Height : 108 mm



Part #	Description	Std. Pack	UOM	List Price in	Group
IMFF/1	Fan Monitor for 2 fans-230V	1	EA	4232.80	E
IMFF/1-110A	Fan Monitor For 2 Fans-110V	1	EA	5302.00	E
IMFF/2	Fan Monitor for 4 fans-230V	1	EA	6237.00	E
IMFFTD/2	Fan Monitor for 4 fans-230V With Temp Monitor	1	EA	6890.40	E
IMFFTD/2-110A	Fan Monitor for 4 fans-110V With Temp Monitor	1	EA	8598.70	E

Part #	Description	List Price in ₹	Per	UOM	Std. Pack	Group
AGT2.5	2.5 mm ² ANG FEED THRU SP CL GROUNDING TB	72.60	1	EA	100	A
AGT2.5/3	2.5mm ² ANG FD THRU SP CL 3WIRE GROUND TB	107.30	1	EA	100	A
AGT2.5/4	2.5mm ² ANG FD THRU SP CL 4WIRE GROUND TB	115.00	1	EA	100	A
AGT4	4 mm ² ANG FEED THRU SP CL GROUNDING TB	90.00	1	EA	100	A
AGT4/3	4 mm ² ANG FD THRU SP CL 3 WIRE GROUND TB	118.60	1	EA	100	A
AGT4/4	4 mm ² ANG FD THRU SP CL 4 WIRE GROUND TB	127.10	1	EA	100	A
AGT6	6 mm ² ANG FEED THRU SP CL GROUNDING TB	136.70	1	EA	50	A
AGT6/3	6mm ² ANG FEED THRU SP CL 3WIRE GROUND TB	169.40	1	EA	50	A
AS2.5	2.5mm ² ANGULAR FEED THRU SPRING CLAMP TB	12.60	1	EA	100	A
AS2.5/3	2.5mm ² ANGULAR FEED THRU SP CL 3 WIRE TB	25.40	1	EA	100	A
AS2.5/3BK	2.5 mm ² ANG FEED THRU SP CL 3WIRE TB BLK	27.90	1	EA	100	A
AS2.5/3BU	2.5 mm ² ANG FEED THRU SP CL 3WIRE TB BLU	27.90	1	EA	100	A
AS2.5/3O	2.5 mm ² ANG FEED THRU SP CL 3WIRE TB ORG	27.90	1	EA	500	A
AS2.5/3R	2.5 mm ² ANG FEED THRU SP CL 3WIRE TB RED	27.90	1	EA	100	A
AS2.5/3W	2.5 MM ² ANG FEED THRU SP CL 3WIRE TB WHT	27.90	1	EA	100	A
AS2.5/3Y	2.5 mm ² ANG FEED THRU SP CL 3WIRE TB YLW	27.90	1	EA	100	A
AS2.5/4	2.5 mm ² ANG FEED THRU SP CL 4 WIRE TB	31.40	1	EA	100	A
AS2.5/4BK	2.5 mm ² ANG FEED THRU SP CL 4WIRE TB BLK	34.50	1	EA	100	A
AS2.5/4BU	2.5 mm ² ANG FEED THRU SP CL 4WIRE TB BLU	34.50	1	EA	100	A
AS2.5/4GN	2.5 mm ² ANG FEED THRU SP CL 4WIRE TB GRN	34.50	1	EA	100	A
AS2.5/4R	2.5 mm ² ANG FEED THRU SP CL 4WIRE TB RED	34.50	1	EA	100	A
AS2.5/4Y	2.5 mm ² ANG FEED THRU SP CL 4WIRE TB YLW	34.50	1	EA	100	A
AS2.5BK	2.5mm ² ANG FEED THRU SPRING CLAMP TB BLK	13.80	1	EA	100	A
AS2.5BU	2.5mm ² ANG FEED THRU SPRING CLAMP TB BLU	13.80	1	EA	100	A
AS2.5GN	2.5mm ² ANG FEED THRU SPRING CLAMP TB GRN	13.80	1	EA	100	A
AS2.5O	2.5mm ² ANG FEED THRU SPRING CLAMP ORANGE	13.80	1	EA	500	A
AS2.5R	2.5mm ² ANG FEED THRU SPRING CLAMP TB RED	13.80	1	EA	100	A
AS2.5W	2.5mm ² ANG FEED THRU SPRING CLAMP TB WHT	13.80	1	EA	500	A
AS2.5Y	2.5mm ² ANG FEED THRU SPRING CLAMP TB YLW	13.80	1	EA	100	A
AS4	4 mm ² ANGULAR FEED THRU SPRING CLAMP TB	21.80	1	EA	100	A
AS4/3	4 mm ² ANGULAR FEED THRU SP CL 3 WIRE TB	37.50	1	EA	100	A
AS4/3BK	4 mm ² ANG FEED THRU SP CL 3WIRE TB BLACK	41.20	1	EA	100	A
AS4/3BU	4 mm ² ANG FEED THRU SP CL 3 WIRE TB BLU	41.20	1	EA	100	A
AS4/3GN	4 mm ² ANG FEED THRU SP CL 3WIRE TB GREEN	41.20	1	EA	100	A
AS4/3R	4 mm ² ANG FEED THRU SP CL 3 WIRE TB RED	41.20	1	EA	100	A
AS4/3W	4 mm ² ANG FEED THRU SP CL 3WIRE TB WHITE	41.20	1	EA	100	A
AS4/3Y	4mm ² ANG FD THRU SP CL 3 WIRE TB YLW	41.20	1	EA	100	A
AS4/4	4 mm ² ANGULAR FEED THRU SP CL 4 WIRE TB	44.80	1	EA	100	A
AS4/4BK	4 mm ² ANGULAR FEED THRU SP CL 4 WIRE TB BLACK	49.20	1	EA	100	A
AS4/4GN	4 mm ² ANGULAR FEED THRU SP CL 4 WIRE TB GREEN	49.20	1	EA	100	A
AS4/4R	4mm ² ANG FEED THRU SP CL 4 WIRE TB RED	49.20	1	EA	100	A
AS4/4Y	4mm ² ANG FEED THRU SP CL 4 WIRE TB YELLOW	49.20	1	EA	100	A
AS4BK	4mm ² ANG FEED THRU SPRING CLAMP TB BLACK	23.90	1	EA	100	A
AS4BU	4 mm ² ANG FEED THRU SPRING CLAMP TB BLUE	23.90	1	EA	100	A
AS4O	4mm ² ANG FEED THRU SPRING CLAMP TB ORANGE	23.90	1	EA	500	A
AS4R	4 mm ² ANG FEED THRU SPRING CLAMP TB RED	23.90	1	EA	100	A
AS4Y	4mm ² ANG FEED THRU SPRING CLAMP TB YELLOW	23.90	1	EA	100	A
AS6	6 mm ² ANGULAR FEED THRU SPRING CLAMP TB	39.70	1	EA	50	A
AS6/3	6 mm ² ANGULAR FEED THRU SP CL 3 WIRE TB	84.50	1	EA	50	A
AS6/3BU	6 mm ² ANG FEED THRU SP CL 3 WIRE TB BLUE	92.90	1	EA	50	A
AS6BU	6 mm ² ANG FEED THRU SPRING CLAMP TB BLUE	43.60	1	EA	50	A

Part #	Description	List Price in ₹	Per	UOM	Std. Pack	Group
AS6R	6 mm ² ANG FEED THRU SPRING CLAMP TB RED	43.60	1	EA	50	A
AS6Y	6mm ² ANG FEED THR SPRING CLAMP TB YELLOW	43.60	1	EA	50	A
ATL2.5	2.5 mm ² 3 LVL SPRING CLMP TERMINAL BLOCK	230.00	1	EA	30	A
ATL2.5H	2.5 mm ² 3 LVL 4WIRE SP CL TERMINAL BLOCK	72.00	1	EA	25	A
ATL2.5HL16-60V	2.5 mm ² 3 LVL 4WIRE SP CL LED 6-60V TB	102.00	1	EA	50	A
ATL2.5HL26-60V	2.5mm ² 3 LVL 4WIRE SPCL I.S LED 6-60V TB	102.00	1	EA	50	A
ATLG2.5	2.5 mm ² 3 LEVEL + GROUND SPRING CLAMP TB	354.20	1	EA	50	A
AUX6	6 mm ² AUX TB FOR CTS50/70N & CTS95/120N	44.00	1	EA	10	B
CA102	POLYAMIDE SCREW END CLAMP FOR DIN35/32	22.70	1	EA	50	B
CA103	POLYAMIDE SCREWLESS END CLAMP FOR DIN35	10.30	1	EA	50	A
CA104	POLYAMIDE SCREWLESS END CLAMP FOR DIN35	12.50	1	EA	50	A
CA202	POLYAMIDE SCREW END CLAMP FOR DIN35	24.20	1	EA	25	B
CA302	STEEL SCREW END CLAMP FOR DIN35	13.30	1	EA	50	B
CA402	STEEL SCREW END CLAMP FOR DIN35-15	13.30	1	EA	50	B
CA501-1M	DIN32 RAIL 1 METER LONG	174.20	1	EA	25	A
CA501-1M-S	DIN32 RAIL SLOTTED 1 METER LONG	188.80	1	EA	25	A
CA501-2M	DIN32 RAIL 2 METER LONG	348.50	1	EA	25	A
CA501-2M-S	DIN32 RAIL SLOTTED 2 METER LONG	377.50	1	EA	25	A
CA502	STEEL SCREW END CLAMP FOR DIN32 RAIL	7.30	1	EA	50	C
CA502/F	MARKER FIXING SCREW FIBER WASHER FR CMST	3.40	1	EA	100	A
CA503/01	2P PERM SHORTING LINK FOR 6mm WIDE TB	4.10	1	EA	100	C
CA503/1	2P PERM SHORTING LINK FOR 6.7mm WIDE TB	4.10	1	EA	100	C
CA503/5	2P PERM SHORTING LINK FOR 18mm WIDE TB	6.50	1	EA	100	C
CA504/01	3P PERM SHORTING LINK FOR 6mm WIDE TB	5.90	1	EA	100	C
CA504/1	3P PERM SHORTING LINK FOR 6.7mm WIDE TB	5.90	1	EA	100	C
CA504/5	3P PERM SHORTING LINK FOR 18mm WIDE TB	9.70	1	EA	100	C
CA505/01	4P PERM SHORTING LINK FOR 6mm WIDE TB	7.90	1	EA	100	C
CA505/1	4P PERM SHORTING LINK FOR 6.7mm WIDE TB	7.90	1	EA	100	C
CA506/1	2P REM SHORTING LINK FOR 6.7mm WIDE TB	4.30	1	EA	100	C
CA507/L/1	LONG SHORTNG STUD FOR 6.7 & 8mm WIDE TB	8.30	1	EA	100	C
CA507/L/2	LONG SHORTNG STUD FOR 10 & 12mm WIDE TB	9.90	1	EA	100	C
CA507/L/Q/01	LONG SLEVE SCRW FR TEMP SHRT 6mm WIDE TB	6.30	1	EA	100	C
CA507/S/1	SHORT SHRTNG STUD FOR 6.7 & 8mm WIDE TB	7.80	1	EA	50	C
CA507/S/2	SHORT SHRTNG STUD FOR 10 & 12mm WIDE TB	8.60	1	EA	50	C
CA507/S/Q/01	SHORT SLVE SCRW FR PERM SHRT 6mm WIDE TB	6.20	1	EA	50	C
CA508/S/Q	SHORT SLV SCRW FR PERM SHRT 18mm WIDE TB	7.20	1	EA	100	C
CA509/K10WHT	10 mm WIDE MARKER BLANK	101.50	1	PKT	1	B
CA509/K10WP	10 mm WIDE MARKER PRINTED	114.80	1	PKT	1	B
CA509/K12WHT	12 mm WIDE MARKER BLANK	119.60	1	PKT	1	B
CA509/K12WP	12 mm WIDE MARKER PRINTED	132.90	1	PKT	1	B
CA509/K16WHT	16 mm WIDE MARKER BLANK	119.60	1	PKT	1	B
CA509/K16WP	16 mm WIDE MARKER PRINTED	134.60	1	PKT	1	B
CA509/K2B4WHT	5.75 mm WIDE MARKER BLANK	91.50	1	PKT	1	B
CA509/K2B4WP	5.75 mm WIDE MARKER PRINTED	103.10	1	PKT	1	B
CA509/K2GWHT	BLANK K-TYPE MARKR FR CDLG/CTLG2.5 WHT	81.50	1	PKT	1	B
CA509/K2GWP	K-TYPE PRNTD MARKR FR CDLG/CTLG2.5 WHT	93.10	1	PKT	1	B
CA509/K2WHT	5.75 mm WIDE MARKER BLANK	81.50	1	PKT	1	B
CA509/K2WP	CA509/K2-P PRINTED MARKERS WHT	93.10	1	PKT	1	B
CA509/K4WHT	5 mm WIDE MARKER BLANK	81.50	1	PKT	1	B
CA509/K4WP	CA509/K4-P PRINTED MARKERS WHT	93.10	1	PKT	1	B
CA509/K5WHT	5 mm WIDE MARKER BLANK	81.50	1	PKT	1	B

Part #	Description	List Price in ₹	Per	UOM	Std. Pack	Group
CA509/K5WP	CA509/K5-P PRINTED MARKERS WHT	93.10	1	PKT	1	B
CA509/K6WHT	6 mm WIDE MARKER BLANK	81.50	1	PKT	1	B
CA509/K6WP	CA509/K6-P PRINTED MARKERS WHT	93.10	1	PKT	1	B
CA509/K7.5WHT	7.5 mm WIDE MARKER BLANK	81.50	1	PKT	1	B
CA509/K7.5WP	7.5 mm WIDE MARKER PRINTED	93.10	1	PKT	1	B
CA509/K8WHT	8 mm WIDE MARKER BLANK	93.10	1	PKT	1	B
CA509/K8WP	CA509/K8-P PRINTED MARKERS WHT	106.30	1	PKT	1	B
CA509/K9WHT	9 mm WIDE MARKER BLANK	93.10	1	PKT	1	B
CA509/K9WP	CA509/K9-P PRINTED MARKERS WHT	106.30	1	PKT	1	B
CA510/1	10P PERM SHORTING LINK FOR 6.7mm WIDE TB	19.60	1	EA	100	C
CA510/5	10P PERM SHORTING LINK FOR 18mm WIDE TB	32.10	1	EA	100	C
CA512/1-2	2P REM SHORTING LINK FOR 17mm WIDE TB	21.00	1	EA	100	B
CA512/1-3	3P REM SHORTING LINK FOR 17mm WIDE TB	31.40	1	EA	50	B
CA512/13-2	2P REM SHORTING LINK FOR 11mm WIDE TB	21.00	1	EA	100	B
CA512/13-3	3P REM SHORTING LINK FOR 11mm WIDE TB	31.40	1	EA	50	B
CA512/13-4	4P REM SHORTING LINK FOR 11mm WIDE TB	41.80	1	EA	50	B
CA512/1-4	4P REM SHORTING LINK FOR 17mm WIDE TB	41.80	1	EA	50	B
CA512/14-2	2P PERM SHORTING LINK FOR 11mm WIDE TB	21.00	1	EA	100	B
CA512/14-3	3P PERM SHORTING LINK FOR 11mm WIDE TB	31.40	1	EA	50	B
CA512/14-4	4P PERM SHORTING LINK FOR 11mm WIDE TB	41.80	1	EA	50	B
CA512/15-2	2POLE REM SHORTING LINK FOR 9MM WIDE TB	21.00	1	EA	100	B
CA512/15-3	3POLE REM SHORTING LINK FOR 9MM WIDE TB	31.40	1	EA	50	B
CA512/15-4	4POLE REM SHORTING LINK FOR 9MM WIDE TB	41.80	1	EA	50	B
CA512/17-2	2POLE PERM SHORTING LINK FOR 9mm WIDE TB	21.00	1	EA	100	B
CA512/17-3	3POLE PERM SHORTING LINK FOR 9MM WIDE TB	31.40	1	EA	50	B
CA512/17-4	4POLE PERM SHORTING LINK FOR 9MM WIDE TB	41.80	1	EA	50	B
CA512/2-2	2P REM SHORTING LINK FOR 13mm WIDE TB	21.00	1	EA	100	B
CA512/2-3	3P REM SHORTING LINK FOR 13mm WIDE TB	31.40	1	EA	50	B
CA512/2-4	4P REM SHORTING LINK FOR 13mm WIDE TB	41.80	1	EA	50	B
CA512/3-2	2P PERM SHORTING LINK FOR 17mm WIDE TB	21.00	1	EA	100	B
CA512/3-3	3P PERM SHORTING LINK FOR 17mm WIDE TB	31.40	1	EA	50	B
CA512/3-4	4P PERM SHORTING LINK FOR 17mm WIDE TB	41.80	1	EA	50	B
CA512/4-2	2P PERM SHORTING LINK FOR 13mm WIDE TB	21.00	1	EA	100	B
CA512/4-3	3P PERM SHORTING LINK FOR 13mm WIDE TB	31.40	1	EA	50	B
CA512/4-4	4P PERM SHORTING LINK FOR 13mm WIDE TB	41.80	1	EA	50	B
CA512/5-2	2P REM SHORTING LINK FOR 10mm WIDE TB	21.00	1	EA	100	B
CA512/5-3	3P REM SHORTING LINK FOR 10mm WIDE TB	31.40	1	EA	50	B
CA512/5-4	4P REM SHORTING LINK FOR 10mm WIDE TB	41.80	1	EA	50	B
CA512/6-2	2P PERM SHORTING LINK FOR 10mm WIDE TB	21.00	1	EA	100	B
CA512/6-3	3P PERM SHORTING LINK FOR 10mm WIDE TB	31.40	1	EA	50	B
CA512/6-4	4P PERM SHORTING LINK FOR 10mm WIDE TB	41.80	1	EA	50	B
CA512/7-2	2P REM SHORTING LINK FOR 17mm WIDE TB	21.00	1	EA	100	B
CA512/7-3	3P REM SHORTING LINK FOR 17mm WIDE TB	31.40	1	EA	50	B
CA512/7-4	4P REM SHORTING LINK FOR 17mm WIDE T	41.80	1	EA	50	B
CA512/9-2	2P REM SHORTING LINK FOR 15mm WIDE TB	21.00	1	EA	100	B
CA513	2POLE INSU SHORTING LINK FOR CMST1/CMST2	10.10	1	EA	50	A
CA514/10-2	2P INS PER SHG LINK FOR 15mm WIDE TB	24.60	1	EA	100	B
CA514/1-2	2P INS REM SHRTG LINK FOR 17mm WIDE TB	24.60	1	EA	100	B
CA514/1-3	3P INS REM SHRTG LINK FOR 17mm WIDE TB	36.90	1	EA	50	B
CA514/13-2	2P INS REM SHORTING LNK FR 11mm WIDE TB	24.60	1	EA	100	B
CA514/13-3	3P INS REM SHORTING LNK FR 11mm WIDE TB	36.90	1	EA	50	B

Part #	Description	List Price in ₹	Per	UOM	Std. Pack	Group
CA514/13-4	4P INS REM SHORTING LNK FR 11mm WIDE TB	49.10	1	EA	50	B
CA514/1-4	4P INS REM SHRTG LINK FOR 17mm WIDE TB	49.10	1	EA	50	B
CA514/14-10	10P INS PERM SHORTNG LNK FR 11mm WIDE TB	122.50	1	EA	10	B
CA514/14-2	2P INS PERM SHORTING LNK FR 11mm WIDE TB	24.60	1	EA	100	B
CA514/14-3	3P INS PERM SHORTING LNK FR 11mm WIDE TB	36.90	1	EA	50	B
CA514/14-3A	3P INS ALT PERM SHRT LNK FR 11mm WIDE TB	49.10	1	EA	10	B
CA514/14-4	4P INS PERM SHORTING LNK FR 11mm WIDE TB	49.10	1	EA	50	B
CA514/14-4A	4P INS ALT PERM SHRT LNK FR 11mm WIDE TB	52.30	1	EA	10	B
CA514/15-2	2P INS REM SHRT LINK FR 9mm WIDE TB	24.60	1	EA	100	B
CA514/15-3	3P INS REM SHRT LINK FR 9mm WIDE TB	36.90	1	EA	50	B
CA514/15-4	4P INS REM SHRT LINK FR 9mm WIDE TB	49.10	1	EA	50	B
CA514/17-2	2P INS PERM SHORTING LINK FR 9mm WIDE TB	24.60	1	EA	100	B
CA514/17-3	3P INS PERM SHORTING LINK FR 9mm WIDE TB	36.90	1	EA	50	B
CA514/17-4	4P INS PERM SHRT LINK FR 9mm WIDE TB	49.10	1	EA	50	B
CA514/2-2	2P INS REM SHORTING LNK FR 13mm WIDE TB	24.60	1	EA	100	B
CA514/2-3	3P INS REM SHORTING LNK FR 13mm WIDE TB	36.90	1	EA	50	B
CA514/2-4	4P INS REM SHORTING LNK FR 13mm WIDE TB	49.10	1	EA	50	B
CA514/3-2	2P INS PERM SHRTG LINK FOR 17mm WIDE TB	24.60	1	EA	100	B
CA514/3-3	3P INS PERM SHRTG LINK FOR 17mm WIDE TB	36.90	1	EA	50	B
CA514/3-4	4P INS PERM SHRTG LINK FOR 17mm WIDE TB	49.10	1	EA	50	B
CA514/4-2	2P INS PERM SHORTING LNK FR 13mm WIDE TB	24.60	1	EA	100	B
CA514/4-3	3P INS PERM SHORTING LNK FR 13mm WIDE TB	36.90	1	EA	50	B
CA514/4-4	4P INS PERM SHORTING LNK FR 13mm WIDE TB	49.10	1	EA	50	B
CA514/5-2	2P INS REM SHORTING LNK FR 10mm WIDE TB	24.60	1	EA	100	B
CA514/5-3	3P INS REM SHORTING LNK FR 10mm WIDE TB	36.90	1	EA	50	B
CA514/5-4	4P INS REM SHORTING LNK FR 10mm WIDE TB	49.10	1	EA	50	B
CA514/6-2	2P INS PERM SHORTING LNK FR 10mm WIDE TB	24.60	1	EA	100	B
CA514/6-3	3P INS PERM SHORTING LNK FR 10mm WIDE TB	36.90	1	EA	50	B
CA514/6-4	4P INS PERM SHORTING LNK FR 10mm WIDE TB	49.10	1	EA	50	B
CA514/7-2	2P INS REM SHRT LNK FR 17mm WIDE TB	24.60	1	EA	100	B
CA514/7-3	3P INS REM SHORTING LNK FR 17mm WIDE TB	36.90	1	EA	50	B
CA514/7-4	4P INS REM SHRT LNK FR 17mm WIDE TB	49.00	1	EA	50	B
CA514/8-2	2P INS PERM SHORTING LNK FR 17mm WIDE TB	24.60	1	EA	100	B
CA514/8-3	3P INS PERM SHORTING LNK FR 17mm WIDE TB	36.90	1	EA	50	B
CA514/8-4	4P INS PERM SHORTING LNK FR 17mm WIDE TB	49.10	1	EA	50	B
CA514/9-2	2P INS REM SHORTING LNK FR 15mm WIDE TB	24.60	1	EA	100	B
CA515	2 POLE SWITCHABLE LINK KIT FOR CMDT4	23.90	1	EA	50	C
CA521/10	10P PRE ASSEM SHRT LINK FOR 6mm WIDE TB	71.00	1	EA	10	C
CA521/2	2POLE PRE ASSEM SHRT LINK FR 6mm WIDE TB	14.30	1	EA	100	C
CA521/4	4POLE PRE ASSEM SHRT LINK FR 6mm WIDE TB	28.40	1	EA	100	C
CA522/10	10P PRE ASSEM SHRT LINK FR 6.7mm WIDE TB	76.70	1	EA	10	C
CA522/2	2P PRE ASSEM SHRT LINK FR 6.7mm WIDE TB	15.40	1	EA	100	C
CA522/3	3P PRE ASSEM SHRT LINK FOR 6.7mm WIDE TB	23.00	1	EA	100	C
CA522/4	4P PRE ASSEM SHRT LINK FOR 6.7mm WIDE TB	30.70	1	EA	100	C
CA601-1M	DIN15 RAIL 1 METER	82.80	1	EA	100	A
CA602	POLYAMIDE SCREW END CLAMP FOR DIN15	7.50	1	EA	50	B
CA603	STEEL MOUNTING BRACKET ANGULAR	22.90	1	EA	25	B
CA604/1	1.5mm ² HOOK TYPE LUG FR SPRING LOADED TB	10.60	1	EA	100	B
CA604/2	2.5mm ² HOOK TYPE LUG FR SPRING LOADED TB	11.90	1	EA	100	B
CA604/2N	2.5mm ² HOOK TYPE INS LUG FR SP LOADED TB	1,317.60	1	PKT	1	B
CA604/5	4 mm ² HOOK TYPE LUG FR SPRING LOADED TB	12.70	1	EA	100	B

Part #	Description	List Price in ₹	Per	UOM	Std. Pack	Group
CA604/6	35 mm ² RING TYPE LUG	44.00	1	EA	100	B
CA604/7	25 mm ² RING TYPE LUG FR SPRING LOADED TB	35.90	1	EA	100	B
CA607/L/Q	LONG SLV SCREW FOR TEMP SHRT 6mm WIDE TB	7.00	1	EA	100	B
CA607/S/Q	SHORT SLV SCRWD FOR PERM SHRT 6mm WIDE TB	6.20	1	EA	100	B
CA621/2	2P INS PRE ASS SHRT LNK FR 6mm WD TB	29.00	1	EA	100	B
CA622/10	10P INS PRE ASS SHT LNK FR 6.7mm WIDE TB	153.10	1	EA	10	B
CA622/2	2P INS PRE ASS SHT LNK FOR 6.7mm WIDE TB	30.70	1	EA	100	B
CA622/3	3P INS PRE ASS SHT LNK FOR 6.7mm WIDE TB	46.00	1	EA	100	B
CA622/4	4P INS PRE ASS SHT LNK FOR 6.7mm WIDE TB	61.30	1	EA	100	B
CA623/10	10P PRE ASSEM SHRT LINK FOR 6mm WIDE TB	68.30	1	EA	10	B
CA623/2	2P PRE ASSEM SHRT LINK FOR 6mm WIDE TB	13.80	1	EA	100	B
CA623/3	3P PRE ASSEM SHRT LINK FOR 6mm WIDE	20.60	1	EA	100	B
CA623/4	4P PRE ASSEM SHRT LINK FOR 6mm WIDE TB	27.40	1	EA	100	B
CA624/10	10P PRE ASSEM SHRT LINK FOR 8mm WIDE TB	76.70	1	EA	10	B
CA624/2	2P PRE ASSEM SHRT LINK FOR 8mm WIDE TB	15.40	1	EA	100	B
CA624/3	3P PRE ASSEM SHRT LINK FOR 8mm WIDE TB	23.00	1	EA	100	B
CA624/4	4P PRE ASSEM SHRT LINK FOR 8mm WIDE TB	30.70	1	EA	100	B
CA625/10	10P PRE ASSEM SHRT LINK FOR 10mm WIDE TB	85.00	1	EA	10	B
CA625/2	2P PRE ASSEM SHRT LINK FOR 10mm WIDE TB	17.20	1	EA	100	B
CA625/3	3P PRE ASSEM SHRT LINK FOR 10mm WIDE TB	25.60	1	EA	100	B
CA625/4	4P PRE ASSEM SHRT LINK FOR 10mm WIDE TB	34.10	1	EA	100	B
CA627/10	10P PRE ASSEM SHRT LINK FOR 6mm WIDE TB	66.90	1	EA	10	B
CA627/2	2P PRE ASSEM SHRT LINK FOR 6mm WIDE TB	13.50	1	EA	100	B
CA627/3	3P PRE ASSEM SHRT LINK FR 6mm WD TB	20.10	1	EA	100	B
CA627/4	4P PRE ASSEM SHRT LINK FOR 6mm WIDE TB	26.80	1	EA	100	B
CA628/2	2 POLE SHORTING LNK SET FOR CTS50/70N	89.10	1	EA	10	B
CA628/3	3 POLE SHORTING LNK SET FOR CTS50/70N	133.70	1	EA	10	B
CA629/2	2 POLE SHORTING LNK SET FOR CTS95/120N	116.90	1	EA	10	B
CA629/3	3 POLE SHORTING LNK SET FOR CTS95/120N	175.30	1	EA	10	B
CA644/10	10W INS PRE ASS LNK FR CTS6USC/CHV6U	126.70	1	EA	10	B
CA645/10	10W INS PRE ASS LNK FR CTS10USC	139.90	1	EA	10	B
CA645/2	2W INS PRE ASS LNK FR CTS10USC/CHV10U	28.20	1	EA	10	B
CA701-15-1M	DIN35 X 15mm RAIL 1 METER LONG	183.00	1	EA	25	A
CA701-15-1M-S	DIN35 X 15mm RAIL SLOTTED 1 METER LONG	197.60	1	EA	25	A
CA701-15-2M	DIN35 X 15mm RAIL 2 METER LONG	366.00	1	EA	25	A
CA701-15-2M-S	DIN35 X 15mm RAIL SLOTTED 2 METER LONG	395.00	1	EA	25	A
CA701-1M	DIN35 X 7.5mm RAIL 1 METER LONG	101.60	1	EA	25	A
CA701-1M-S	DIN35 X 7.5mm RAIL SLOTTED 1 METER LONG	116.20	1	EA	50	A
CA701-2M	DIN35 X 7.5mm RAIL 2 METER LONG	203.30	1	EA	25	A
CA701-2M-S	DIN35 X 7.5mm RAIL SLOTTED 2 METER LONG	232.30	1	EA	25	A
CA701-AL-1M	DIN35 ALUMINIUM RAIL 1 METER LONG	363.00	1	EA	50	A
CA702	POLYAMIDE SCREW END CLAMP FOR DIN35/32	11.40	1	EA	50	B
CA702BG	PA SCRWD END CLMP BGE	12.50	1	EA	250	B
CA702BK	PA SCRWD END CLMP BLK	12.50	1	EA	50	B
CA702BU	PA SCRWD END CLMP BLU	12.50	1	EA	50	B
CA703	STEEL MOUNTING BRACKET HOLE M6 HT 1 INCH	18.20	1	EA	25	B
CA703/01	2P PERM SHORTING LINK FOR 5mm WIDE TB	4.30	1	EA	100	B
CA703/1	2P PERM SHORTING LINK FOR 6mm WIDE TB	4.30	1	EA	100	B
CA703/10	2P PERM SHORTING LINK FOR 16mm WIDE TB	7.90	1	EA	100	B
CA703/11	2 POLE SHORTING LINK KIT FOR PTB70/95	91.90	1	EA	10	B
CA703/2	2POLE PERM SHORTING LINK FOR 8mm WIDE TB	4.50	1	EA	100	B

Part #	Description	List Price in ₹	Per	UOM	Std. Pack	Group
CA703/3	2P PERM SHORTING LINK FOR 10mm WIDE TB	5.40	1	EA	100	B
CA703/4	2P PERM SHORTING LINK FOR 12mm WIDE TB	7.30	1	EA	100	B
CA703/5	2P PERM SHORTING LINK FOR 15mm WIDE TB	7.30	1	EA	100	B
CA703/6	2POLE PERM SHORTING LINK FOR 8mm WIDE TB	4.30	1	EA	100	B
CA703/8	2P PERM SHORTING LINK FOR 12mm WIDE TB	7.30	1	EA	100	B
CA703/9	2 POLE SHORTING LINK KIT FOR PTB35/50	69.60	1	EA	10	B
CA704/01	3POLE PERM SHORTING LINK FOR 5mm WIDE TB	6.40	1	EA	100	B
CA704/1	3POLE PERM SHORTING LINK FOR 6mm WIDE TB	6.40	1	EA	100	B
CA704/10	3POLE PERM SHORTING LINK FR 16mm WIDE TB	11.80	1	EA	100	B
CA704/11	3 POLE SHORTING LINK KIT FOR PTB70/95	137.80	1	EA	10	B
CA704/2	3POLE PERM SHORTING LINK FOR 8mm WIDE TB	6.80	1	EA	100	B
CA704/3	3POLE PERM SHORTING LINK FR 10mm WIDE TB	8.00	1	EA	100	B
CA704/4	3POLE PERM SHORTING LINK FR 12mm WIDE TB	10.90	1	EA	100	B
CA704/5	3POLE PERM SHORTING LINK FR 15mm WIDE TB	10.60	1	EA	100	B
CA704/6	3POLE PERM SHORTING LINK FOR 8mm WIDE TB	6.40	1	EA	100	B
CA704/8	3POLE PERM SHORTING LINK FR 12mm WIDE TB	10.90	1	EA	100	B
CA704/9	3 POLE SHORTING LINK KIT FOR PTB35/50	104.50	1	EA	10	B
CA705/01	4POLE PERM SHORTING LINK FR 5mm WIDE TB	8.40	1	EA	100	B
CA705/1	4POLE PERM SHORTING LINK FR 6mm WIDE TB	8.40	1	EA	100	B
CA705/10	4POLE PERM SHORTING LINK FR 15mm WIDE TB	15.60	1	EA	100	B
CA705/2	4POLE PERM SHORTING LINK FR 8mm WIDE TB	9.00	1	EA	100	B
CA705/3	4POLE PERM SHORTING LINK FR 10mm WIDE TB	10.70	1	EA	100	B
CA705/4	4POLE PERM SHORTING LINK FR 12mm WIDE TB	14.50	1	EA	100	B
CA705/5	4POLE PERM SHORTING LINK FR 15mm WIDE TB	14.00	1	EA	100	B
CA705/6	4POLE PERM SHORTING LINK FOR 8mm WIDE TB	8.40	1	EA	100	B
CA705/8	4POLE PERM SHORTING LINK FR 12mm WIDE TB	14.50	1	EA	100	B
CA706/01	2POLE REM SHORTING LINK FOR 5mm WIDE TB	4.50	1	EA	100	B
CA706/1	2POLE REM SHORTING LINK FOR 6mm WIDE TB	4.50	1	EA	100	B
CA706/2	2POLE REM SHORTING LINK FOR 8mm WIDE TB	4.50	1	EA	100	B
CA706/3	2POLE REM SHORTING LINK FOR 10mm WIDE TB	5.40	1	EA	100	B
CA706/8	2POLE REM SHORTING LINK FR 12mm WIDE TB	7.30	1	EA	100	B
CA707/L/Q/01	LONG SLV SCRW FR TEMP SHRT 5&6mm WIDE TB	6.80	1	EA	100	B
CA707/L/Q/1	LONG SLV SCRW FR TEMP SHT 8&10mm WIDE TB	7.70	1	EA	100	B
CA707/L/Q/2	LONG SLV SCRW FOR TEMP SHRT 12mm WIDE TB	11.80	1	EA	100	B
CA707/S/Q/01	SHORT SLV SCRW FR PERM SHT 5&6mm WIDE TB	6.20	1	EA	100	B
CA707/S/Q/1	SHORT SLV SW FR PER SHT 8/10/12mm WID TB	6.80	1	EA	100	B
CA707/S/Q/2	SHORT SLV SW FR PER SHRT 12&16mm WIDE TB	7.90	1	EA	100	B
CA707/TS/01	TEST SOCKET FOR CTS2.5UN/4UN	5.70	1	EA	100	B
CA707/TS/03	TEST SOCKET FOR CMT4	5.70	1	EA	100	B
CA707/TS/05	TEST SOCKET FOR CTS6U/10U	7.90	1	EA	100	B
CA707/TS/06	TEST SOCKET FOR CTS25UN/35UN	12.50	1	EA	100	B
CA710/10	10P INS EXT SHORTING LINK FR 8mm WIDE TB	111.30	1	EA	20	B
CA710/2	2P INS EXT SHORTING LINK FOR 8mm WIDE TB	22.30	1	EA	100	B
CA710/3	3P INS EXT SHORTING LINK FOR 8mm WIDE TB	33.40	1	EA	50	B
CA710/4	4P INS EXT SHORTING LINK FOR 8mm WIDE TB	44.60	1	EA	50	B
CA711/10	10P INS EXT SHORTING LINK FR 8mm WIDE TB	111.30	1	EA	20	B
CA711/2	2P INS EXT SHORTING LINK FOR 8mm WIDE TB	22.30	1	EA	100	B
CA711/3	3P INS EXT SHORTING LINK FOR 8mm WIDE TB	33.40	1	EA	50	B
CA711/4	4P INS EXT SHORTING LINK FOR 8mm WIDE TB	44.60	1	EA	50	B
CA713/10	10W INSU COMB LNK FR CTS4UN/CKT4U	97.50	1	EA	20	B
CA713/2	2P INS EXT SHORTING LINK FOR 6mm WIDE TB	19.60	1	EA	100	B

Part #	Description	List Price in ₹	Per	UOM	Std. Pack	Group
CA713/3	3P INS EXT SHORTING LINK FOR 6mm WIDE TB	29.40	1	EA	100	B
CA713/4	4P INS EXT SHORTING LINK FOR 6mm WIDE TB	39.10	1	EA	100	B
CA714/10	10P INS EXT SHORTING LINK FR 6mm WIDE TB	97.50	1	EA	20	B
CA714/2	2P INS EXT SHORTING LINK FOR 6mm WIDE TB	19.60	1	EA	100	B
CA714/3	3P INS EXT SHORTING LINK FOR 6mm WIDE TB	29.40	1	EA	100	B
CA714/4	4P INS EXT SHORTING LINK FOR 6mm WIDE TB	39.10	1	EA	100	B
CA715/10	10P INS EXT SHORTING LNK FOR 6mm WIDE TB	97.50	1	EA	20	B
CA715/2	2P INS EXT SHORTING LINK FOR 6mm WIDE TB	19.60	1	EA	100	B
CA715/3	3P INS EXT SHORTING LINK FOR 6mm WIDE TB	29.40	1	EA	100	B
CA715/4	4P INS EXT SHORTING LINK FOR 6mm WIDE TB	39.10	1	EA	100	B
CA716/10	10P INS EXT SHORTING LNK FOR 9mm WIDE TB	111.30	1	EA	20	B
CA716/2	2P INS EXT SHORTING LINK FOR 9mm WIDE TB	22.30	1	EA	50	B
CA716/3	3P INS EXT SHORTING LINK FOR 9mm WIDE TB	33.40	1	EA	50	B
CA716/3-2A	2 WAY INSU COMB LINK FOR CB16	37.00	1	EA	50	B
CA716/4	4P INS EXT SHORTING LINK FOR 9mm WIDE TB	44.60	1	EA	50	B
CA716/5-3A	3 WAY INSU COMB LINK FOR CB16	61.20	1	EA	50	B
CA717/10	10P INS EXT SHORTING LINK FR 5mm WIDE TB	97.50	1	EA	20	B
CA717/2	2P INS EXT SHORTING LINK FR 5mm WIDE TB	19.60	1	EA	100	B
CA717/3	3P INS EXT SHORTING LINK FR 5mm WIDE TB	29.40	1	EA	100	B
CA717/4	4P INS EXT SHORTING LINK FR 5mm WIDE TB	39.10	1	EA	100	B
CA718/10	10P INS EXT SHORTING LNK FR 10mm WIDE TB	129.50	1	EA	20	B
CA718/2	2P INS EXT SHORTING LINK FR 10mm WIDE TB	26.00	1	EA	100	B
CA718/3	3P INS EXT SHORTING LINK FR 10mm WIDE TB	38.90	1	EA	50	B
CA718/4	4P INS EXT SHORTING LINK FR 10mm WIDE TB	51.80	1	EA	50	B
CA721/10	10P PRE ASSEM SHRT LINK FOR 5mm WIDE TB	66.90	1	EA	10	B
CA721/100	100P PRE ASSEM SHRT LNK FOR 5mm WIDE TB	667.90	1	EA	10	B
CA721/2	2P PRE ASSEMBLED SHRT LNK FR 5mm WIDE TB	13.50	1	EA	100	B
CA721/3	3P PRE ASSEMBLED SHRT LNK FR 5mm WIDE TB	20.10	1	EA	100	B
CA721/4	4P PRE ASSEMBLED SHRT LNK FR 5mm WIDE TB	26.80	1	EA	100	B
CA722/10	10P PRE ASSEM SHORT LINK FOR 6mm WIDE TB	66.90	1	EA	10	B
CA722/100	100P PRE ASSEM SHRT LINK FOR 6mm WIDE TB	667.90	1	EA	10	B
CA722/10CR	10P PRE ASSEM SHORT LINK FOR 6mm WIDE TB	104.20	1	EA	10	B
CA722/10N	10P PRE ASSEMBLD SHRT LNK FR 6mm WIDE TB	111.30	1	EA	10	B
CA722/2	2P PRE ASSEMBLED SHRT LNK FR 6mm WIDE TB	13.50	1	EA	100	B
CA722/2N	2P PRE ASSEMBLED SHRT LNK FR 6mm WIDE TB	22.30	1	EA	100	B
CA722/3	3P PRE ASSEMBLED SHRT LNK FR 6mm WIDE TB	20.10	1	EA	100	B
CA722/3N	3P PRE ASSEMBLED SHRT LNK FR 6mm WIDE TB	33.40	1	EA	100	B
CA722/4	1P PRE ASSEMBLED SHRT LNK FR 6mm WIDE TB	26.80	1	EA	100	B
CA722/4N	4P PRE ASSEMBLED SHRT LNK FR 6mm WIDE	44.60	1	EA	50	B
CA722/5	5W PRE ASS LNK FR CTS4UN	55.70	1	EA	10	B
CA722/6	6W PRE ASS LNK FR CTS4UN & CR4(NPCIL)	63.60	1	EA	10	B
CA723/10	10P PRE ASSEM SHRT LINK FOR 8mm WIDE TB	82.20	1	EA	10	B
CA723/10CR	10P PRE ASSEM SHRT LINK FOR 8mm WIDE TB	128.20	1	EA	10	B
CA723/2	2P PRE ASSEM SHRT LINK FOR 8mm WIDE TB	16.50	1	EA	100	B
CA723/3	3P PRE ASSEM SHRT LINK FOR 8mm WIDE TB	24.80	1	EA	50	B
CA723/4	4P PRE ASSEM SHRT LINK FOR 8mm WIDE TB	33.00	1	EA	50	B
CA723/5	5P PRE ASSEM SHRT LINK FOR 8mm WIDE TB	41.80	1	EA	50	B
CA723/6	6P PRE ASSEM SHRT LINK FOR 8mm WIDE TB	54.30	1	EA	50	B
CA723/7	7P PRE ASSEM SHRT LINK FOR 8mm WIDE TB	65.60	1	EA	10	B
CA724/10	10P PRE ASSEM SHRT LINK FOR 10mm WIDE TB	89.10	1	EA	10	B
CA724/2	2P PRE ASSEM SHRT LINK FOR 10mm WIDE TB	17.90	1	EA	100	B

Part #	Description	List Price in ₹	Per	UOM	Std. Pack	Group
CA724/3	3P PRE ASSEM SHRT LINK FOR 10mm WIDE TB	26.80	1	EA	50	B
CA724/4	4P PRE ASSEM SHRT LINK FOR 10mm WIDE TB	35.80	1	EA	50	B
CA724/6	6W PRE ASS LNK FR CTS10/10U	80.30	1	EA	10	B
CA725/10	10P PRE ASSEM SHRT LINK FOR 12mm WIDE TB	108.60	1	EA	10	B
CA725/2	2P PRE ASSEM SHRT LINK FOR 12mm WIDE TB	21.80	1	EA	50	B
CA725/3	3P PRE ASSEM SHRT LINK FOR 12mm WIDE TB	32.70	1	EA	20	B
CA725/4	4P PRE ASSEM SHRT LINK FOR 12mm WIDE TB	43.50	1	EA	20	B
CA726/10	10P PRE ASSEM SHRT LINK FOR 15mm WIDE	105.80	1	EA	10	B
CA727/10	10P PRE ASSEM SHRT LINK FOR 6mm WIDE TB	66.90	1	EA	10	B
CA727/2	2P PRE ASSEM SHRT LINK FOR 6mm WIDE TB	13.50	1	EA	100	B
CA727/3	3P PRE ASSEM SHRT LINK FOR 6mm WIDE TB	20.10	1	EA	100	B
CA727/4	4P PRE ASSEM SHRT LINK FOR 6mm WIDE TB	26.80	1	EA	100	B
CA727/5	5W PRE ASS LNK FR CMT4/CDL4U/ODL4U	33.40	1	EA	100	B
CA727/6	6W PRE ASS LNK FR CMT4/CDL4U/ODL4U	55.70	1	EA	10	B
CA728/10	10P PRE ASSEM SHRT LINK FOR 9mm WIDE TB	75.20	1	EA	10	B
CA728/2	2P PRE ASSEM SHRT LINK FOR 9mm WIDE TB	15.20	1	EA	50	B
CA728/3	3P PRE ASSEM SHRT LINK FOR 9mm WIDE TB	22.70	1	EA	50	B
CA728/4	4P PRE ASSEM SHRT LINK FOR 9mm WIDE TB	30.10	1	EA	50	B
CA729/10	10P PRE ASSEM SHRT LINK FOR 8mm WIDE TB	75.20	1	EA	10	B
CA729/2	2P PRE ASSEM SHRT LINK FOR 8mm WIDE TB	15.20	1	EA	100	B
CA729/3	3P PRE ASSEM SHRT LINK FOR 8mm WIDE TB	22.70	1	EA	50	B
CA729/4	4P PRE ASSEMBLED SHRT LNK FR 8mm WIDE TB	30.10	1	EA	50	B
CA731/10	10P PERM SHORTING LINK FOR 5mm WIDE TB	21.00	1	EA	100	B
CA731/100	100P PERM SHRTNG LINK BRK FR 5mm WIDE TB	208.80	1	EA	10	B
CA732/10	10P PERM SHORTING LINK FOR 6mm WIDE TB	21.00	1	EA	100	B
CA732/100	100P PERM SHRTNG LINK BRK FR 6mm WIDE TB	208.80	1	EA	10	B
CA732/10-A	10W PRM SHRT LNK FR CTS4UN (BRK)	21.00	1	EA	100	B
CA733/10	10P PERM SHORTING LINK FOR 6mm WIDE TB	22.30	1	EA	100	B
CA734/10	10P PERM SHORTING LNK FOR 10mm WIDE TB	26.50	1	EA	100	B
CA735/10	10P PERM SHORTING LNK FOR 12mm WIDE TB	36.20	1	EA	100	B
CA736/10	10P PERM SHORTING LNK FOR 15mm WIDE TB	41.80	1	EA	100	B
CA737/10	10P PERM SHORTING LINK FOR 8mm WIDE TB	21.00	1	EA	100	B
CA739/10	10P PERM SHORTING LINK FOR 12mm WIDE TB	36.20	1	EA	100	B
CA741/10	10P INS PRE ASSM SHRT LINK FR5mm WIDE TB	132.30	1	EA	10	B
CA741/100	100P INS PRE ASSM SHRT LNK FR5mm WIDE TB	1,322.00	1	EA	10	B
CA741/2	2P INS PRE ASSEM SHRT LINK FR5mm WIDE TB	26.50	1	EA	100	B
CA741/3	3P INS PRE ASSEM SHRT LINK FR5mm WIDE TB	39.70	1	EA	100	B
CA741/4	4P INS PRE ASSEM SHRT LINK FR5mm WIDE TB	52.90	1	EA	100	B
CA742/10	10P INS PREASSEM SHRT LINK FR6mm WIDE TB	132.30	1	EA	10	B
CA742/100	100P INS PREASSEM SHRT LNK FR6mm WIDE TB	1,322.00	1	EA	10	B
CA742/15	15W INSU PRE ASS LNK FR CTS4UN	198.30	1	EA	10	B
CA742/2	2P INS PREASSEM SHRT LINK FR 6mm WIDE TB	26.50	1	EA	100	B
CA742/3	3P INS PREASSEM SHRT LINK FR 6mm WIDE TB	39.70	1	EA	100	B
CA742/4	4P INS PREASSEM SHRT LINK FR 6mm WIDE TB	52.90	1	EA	100	B
CA743/10	10P INS PREASSEM SHRT LINK FR8mm WIDE TB	139.20	1	EA	10	B
CA743/2	2P INS PREASSEM SHRT LINK FR 8mm WIDE TB	27.80	1	EA	100	B
CA743/3	3P INS PREASSEM SHRT LINK FR 8mm WIDE TB	41.80	1	EA	50	B
CA743/4	4P INS PREASSEM SHRT LINK FR 8mm WIDE TB	55.70	1	EA	50	B
CA744/10	10P INS PREASSEM SHRT LNK FR10mm WIDE TB	144.80	1	EA	10	B
CA744/2	2P INS PREASSEM SHRT LINK FR10mm WIDE TB	29.00	1	EA	100	B
CA744/3	3P INS PREASSEM SHRT LINK FR10mm WIDE TB	43.50	1	EA	50	B

Part #	Description	List Price in ₹	Per	UOM	Std. Pack	Group
CA744/4	4P INS PREASSEM SHRT LINK FR10mm WIDE TB	58.00	1	EA	50	B
CA745/10	10P INS PREASSEM SHRT LNK FR12mm WIDE TB	196.40	1	EA	10	B
CA745/2	2P INS PREASSEM SHRT LINK FR12mm WIDE TB	39.40	1	EA	50	B
CA745/3	3P INS PREASSEM SHRT LINK FR12mm WIDE TB	59.00	1	EA	20	B
CA745/4	4P INS PREASSEM SHRT LINK FR12mm WIDE TB	78.50	1	EA	20	B
CA746/10	10P INS PREASSEM SHRT LNK FR15mm WIDE TB	197.70	1	EA	10	B
CA747/10	10P INS PREASSEM SHRT LINK FR6mm WIDE TB	132.30	1	EA	10	B
CA747/2	2P INS PREASSEM SHRT LINK FR 6mm WIDE TB	26.50	1	EA	100	B
CA747/3	3P INS PREASSEM SHRT LINK FR 6mm WIDE TB	39.70	1	EA	100	B
CA747/4	4P INS PREASSEM SHRT LINK FR 6mm WIDE TB	52.90	1	EA	100	B
CA749/10	10P INS PREASSEM SHRT LINK FR8mm WIDE TB	139.20	1	EA	10	B
CA749/2	2P INS PREASSEM SHRT LINK FR 8mm WIDE TB	27.80	1	EA	100	B
CA749/3	3P INS PREASSEM SHRT LINK FR 8mm WIDE TB	41.80	1	EA	50	B
CA749/4	4P INS PREASSEM SHRT LINK FR 8mm WIDE TB	55.70	1	EA	50	B
CA751/10	10P PRE ASSEM SHRT LINK FOR 12mm WIDE TB	97.50	1	EA	10	B
CA751/2	2P PRE ASSEM SHRT LINK FOR 12mm WIDE TB	19.60	1	EA	50	B
CA751/3	3P PRE ASSEM SHRT LINK FOR 12mm WIDE TB	29.40	1	EA	50	B
CA751/4	4P PRE ASSEM SHRT LINK FOR 12mm WIDE TB	39.10	1	EA	50	B
CA761/10	10P INS PREASSEM SHRT LNK FR12mm WIDE TB	196.40	1	EA	10	B
CA761/2	2P INS PREASSEM SHRT LINK FR12mm WIDE TB	39.40	1	EA	50	B
CA761/3	3P INS PREASSEM SHRT LINK FR12mm WIDE TB	59.00	1	EA	50	B
CA761/4	4P INS PREASSEM SHRT LINK FR12mm WIDE TB	78.50	1	EA	50	B
CA770/10	10W PERM SHRT LINK FR CTS35UN	46.00	1	EA	10	B
CA771/10	10P PRE ASSEM SHRT LNK FR 16mm WIDE TB	111.30	1	EA	10	B
CA771/2	2P PRE ASSEM SHRT LINK FR 16mm WIDE TB	22.30	1	EA	50	B
CA771/3	3P PRE ASSEM SHRT LINK FR 16mm WIDE TB	33.40	1	EA	20	B
CA771/4	4P PRE ASSEM SHRT LINK FR 16mm WIDE TB	44.60	1	EA	20	B
CA772/10	10P PRE ASSEM SHRT LINK FR 13mm WIDE TB	96.10	1	EA	10	B
CA772/2	2P PRE ASSEM SHRT LINK FR 13mm WD TB	19.30	1	EA	100	B
CA772/3	3P PRE ASSEM SHRT LINK FR 13mm WD TB	28.90	1	EA	50	B
CA772/4	4P PRE ASSEM SHRT LINK FR 13mm WD TB	38.50	1	EA	50	B
CA773/10	10P PRE ASSEM SHRT LINK FR 9mm WD TB	83.50	1	EA	10	B
CA773/2	2P PRE ASSEM SHRT LINK FOR 9mm WIDE TB	16.70	1	EA	100	B
CA773/3	3P PRE ASSEM SHRT LINK FOR 9mm WIDE TB	25.10	1	EA	50	B
CA773/4	4P PRE ASSEM SHRT LINK FOR 9mm WIDE TB	33.40	1	EA	50	B
CA774/2	2P PRE ASSEM SHRT LINK FR 18mm WD TB	25.10	1	EA	100	B
CA774/3	3P PRE ASSEM SHRT LINK FR 18mm WD TB	37.70	1	EA	50	B
CA774/4	4P PRE ASSEM SHRT LINK FR 18mm WD TB	50.20	1	EA	50	B
CA775/10	10P PRE ASSEM SHRT LNK FOR 13mm WIDE TB	97.50	1	EA	10	B
CA775/2	2P PRE ASSEM SHRT LINK FOR 13mm WIDE TB	19.60	1	EA	100	B
CA775/3	3P PRE ASSEM SHRT LINK FOR 13mm WIDE TB	29.40	1	EA	50	B
CA775/4	4P PRE ASSEM SHRT LINK FOR 13mm WIDE TB	39.10	1	EA	50	B
CA776/10	10P PRE ASSEM SHRT LINK FR 11mm WD TB	91.90	1	EA	50	B
CA776/8	8P PRE ASSEM SHRT LINK FR 11mm WD TB	73.60	1	EA	10	B
CA781/10	10P INS PREASSEM SHRT LNK FR16mm WIDE TB	196.40	1	EA	10	B
CA781/2	2P INS PREASSEM SHRT LINK FR16mm WIDE TB	39.40	1	EA	50	B
CA781/3	3P INS PREASSEM SHRT LINK FR16mm WIDE TB	59.00	1	EA	20	B
CA781/4	4P INS PRE ASS SHRT LNK FR 16mm WIDE TB	78.50	1	EA	20	B
CA790/2	2 POLE SHORTING LINK FOR CBB35/50	55.70	1	EA	10	B
CA790/3	3 POLE SHORTING LINK FOR CBB35/50	79.40	1	EA	10	B
CA791/2	2 POLE SHORTING LINK FOR CBB70/CBB95	111.30	1	EA	10	B

Part #	Description	List Price in ₹	Per	UOM	Std. Pack	Group
CA791/3	3 POLE SHORTING LINK FOR CBB70/CBB95	167.00	1	EA	10	B
CA793/2	2 POLE SHORTING LINK FOR CBB120	125.30	1	EA	10	B
CA793/3	3 POLE SHORTING LINK FOR CBB120	188.00	1	EA	10	B
CA794/2	2W SHRT LNK FR CBB150 / CBB185	125.30	1	EA	10	B
CA794/3	3W SHRT LNK FR CBB150 / CBB185	188.00	1	EA	10	B
CA796/2	2W PERM SHRT LNK FR CTS35L	62.70	1	EA	10	B
CA796/3	UD-3W PERM SHRT LNK FR CTS35L	83.40	1	EA	10	B
CA797/3	UD-3W PERM SHRT LNK FR CTS70L	146.10	1	EA	10	B
CA798/2	UD-2W PERM SHRT LNK FR CTS95L	111.30	1	EA	10	B
CA798/3	UD-3W PERM SHRT LNK FR CTS95L	166.90	1	EA	10	B
CA801/1	2P SHRT LINK FR AS2.5 SERIES	12.70	1	EA	100	A
CA801/1-3	2P ALT SHRT LINK FOR AS2.5 SERIES	25.10	1	EA	100	A
CA801/2	2P SHRT LINK FOR AS4 SERIES	23.80	1	EA	100	A
CA801/2-3	2P ALT SHRT LINK FOR AS4 SERIES	36.20	1	EA	100	A
CA801/3	2P SHRT LINK FOR AS6 SERIES	33.40	1	EA	100	A
CA801/3-3	2POLE ALT SHRT LINK FR 8mm WIDE SP CL TB	44.60	1	EA	100	A
CA801/4	2P SHRT LINK FR 10mm WIDE SPRNG CLAMP TB	50.20	1	EA	100	A
CA801/5	2P SHRT LINK FR 16mm WIDE SPRNG CLAMP TB	66.90	1	EA	100	A
CA801/7	2P SHRT LINK FR 8mm WIDE SPRNG CLAMP TB	22.30	1	EA	100	A
CA801/A10	10P SHRT LINK FR 5mm WIDE SPRNG CLAMP TB	229.70	1	EA	10	A
CA801/A2	2P SHRT LINK FR 5mm WIDE SPRING CLAMP TB	46.00	1	EA	100	A
CA801/A20	20P SHRT LINK FR 5mm WIDE SPRNG CLAMP TB	459.20	1	EA	10	A
CA801/A3	3P SHRT LINK FR 5mm WIDE SPRING CLAMP	69.00	1	EA	100	A
CA801/A4	4P SHRT LINK FR 5mm WIDE SPRING CLAMP TB	91.90	1	EA	100	A
CA802	POLYAMIDE SCREW END CLAMP FOR DIN35 RAIL	12.50	1	EA	50	B
CA802BG	POLYAMIDE SCREW END CLAMP DIN35 RAIL BGE	13.70	1	EA	500	B
CA802BK	POLYAMIDE SCREW END CLAMP DIN35 RAIL BLK	13.70	1	EA	50	B
CA802BU	PA SCRWD END CLAMP BLU FOR DIN35 RAIL	13.70	1	EA	50	B
CA803	STEEL MOUNTING BRACKET HOLE M6 HT 2 INCH	22.30	1	EA	25	B
CA803(M5)	MS MNTG BRCKT SUITABLE FR ALL RAILS	22.30	1	EA	25	B
CA803/1	2P INS EXT SHRT LNK FR 5mm WIDE SP CL TB	7.80	1	EA	100	A
CA901/1	2P WIRE SHRT LINK FOR 5mm WIDE SP CL TB	71.10	1	EA	100	A
CA901/2	2P WIRE SHRT LINK FOR 6mm WIDE SP CL TB	85.00	1	EA	5000	A
CA901/3	2P WIRE SHRT LINK FOR 8mm WIDE SP CL TB	111.30	1	EA	5000	A
CA901/4	2P STEPDWN SHRT LNK FR 8 TO 6mm SP CL TB	94.70	1	EA	100	A
CA901/5	2P STEPDWN SHRT LNK FR 8 TO 5mm SP CL TB	94.70	1	EA	100	A
CA903	STEEL MOUNTING BRACKET HOLE M6 HT 3 INCH	27.80	1	EA	25	B
CAFL4U	4mm ² Ø6X32mm 6.3A FUSE SCRW CL TERMINAL	82.10	1	EA	25	B
CAFL4U2A	4mm ² Ø6X32mm 2A FUSE SCRW CL TERMINAL	82.10	1	EA	25	B
CAFL4UL110V	4mm ² Ø6X32mm 6.3A FUSE SCRW CLMP TB 110V	106.70	1	EA	25	B
CAFL4UL110VRW/F	4mm ² Ø6X32mm FUSE SCREW CLAMP 110V RED	104.00	1	EA	25	B
CAFL4UL110VW/F	4mm ² Ø6X32mm FUSE SCREW CLAMP TB 110V	106.70	1	EA	25	B
CAFL4UL220V	4mm ² Ø6X32mm 6.3A FUSE SCRW CLMP TB 220V	106.70	1	EA	25	B
CAFL4UL220V2A	4mm ² Ø6X32mm 2A FUSE SCRW CLMP TB 220V	106.70	1	EA	25	B
CAFL4UL220VW/F	4mm ² Ø6X32mm FUSE SCREW CLAMP TB 220V	106.70	1	EA	25	B
CAFL4UL24V	4mm ² Ø6X32mm 6.3A FUSE SCRW CLMP TB 24V	106.70	1	EA	25	B
CAFL4UL24V5A	SL4 SQ PA 5A FU (1/4"X1 1/4")TB GRY(LED)	106.70	1	EA	25	B
CAFL4UL24VW/F	4mm ² Ø6X32mm FUSE SCREW CLAMP TB 24V	106.70	1	EA	25	B
CAFL4UL440V	4mm ² Ø6X32mm 6.3A FUSE SCRW CLMP TB 440V	106.70	1	EA	25	B
CAFL4UL48V	4mm ² Ø6X32mm 6.3A FUSE SCRW CLMP TB 48V	106.70	1	EA	25	B
CAFL4UL48VW/F	4mm ² Ø6X32mm FUSE SCREW CLAMP TB 48V	106.70	1	EA	25	B

Part #	Description	List Price in ₹	Per	UOM	Std. Pack	Group
CAFL4UN110VW/F	4mm ² Ø6X32mm FUSE NEON SCREW CL TB 110V	106.70	1	EA	25	B
CAFL4UN220V	4mm ² Ø6X32mm 6.3A FUSE NEON SWCL TB 220V	106.70	1	EA	25	B
CAFL4UR	4mm ² Ø6X32mm 6.3A FUSE SCREW CL TB ORG	90.50	1	EA	25	B
CAFL4UW/F	4mm ² Ø6X32mm FUSE SCREW CLAMP TERMINAL	73.80	1	EA	25	B
CASP	POLYAMIDE SPACER BLACK	6.10	1	EA	50	B
CB16/2H	10 mm ² 2 POLE WITH MOUNT HOLE CERAMIC TB	96.20	1	EA	50	A
CB16/3H	10 mm ² 3 POLE WITH MOUNT HOLE CERAMIC TB	144.20	1	EA	50	A
CB25/2H	25 mm ² 2 POLE WITH MOUNT HOLE CERAMIC TB	145.50	1	EA	10	A
CB25/3H	25 mm ² 3 POLE WITH MOUNT HOLE CERAMIC TB	221.40	1	EA	10	A
CB4/1	2.5 mm ² 1 POLE FLOATING TYPE CERAMIC TB	28.90	1	EA	50	A
CB4/2	2.5 MM ² 2 POLE FLOATING TYPE CERAMIC TB	53.10	1	EA	100	A
CB4/2CR	2.5 MM ² 2P FLOATING TYP CER TB (CORR RES	71.80	1	EA	100	A
CB4/2H	2.5MM ² 2 POLE WITH MOUNT HOLE CERAMIC TB	57.70	1	EA	50	A
CB4/3	2.5 MM ² 3 POLE FLOATING TYPE CERAMIC TB	75.90	1	EA	50	A
CB4/3H	2.5mm ² 3 POLE WITH MOUNT HOLE CERAMIC TB	86.60	1	EA	50	A
CB6/1	4 mm ² 1 POLE FLOATING TYPE CERAMIC TB	35.00	1	EA	50	A
CB6/2H	6 mm ² 2 POLE WITH MOUNT HOLE CERAMIC TB	70.00	1	EA	50	A
CB6/3H	6 mm ² 3 POLE WITH MOUNT HOLE CERAMIC TB	105.00	1	EA	50	A
CB6/4H	6 mm ² 4 POLE WITH MOUNT HOLE CERAMIC TB	129.10	1	EA	50	A
CBB120	120 mm ² FD THRU BOLT/NUT TERMINAL BLOCK	418.30	1	EA	10	B
CBB120BK	120 mm ² FEED THRU BOLT/NUT TB BLACK	460.10	1	EA	10	B
CBB120BU	120 mm ² FEED THRU BOLT/NUT TB BLUE	460.10	1	EA	10	B
CBB120GN	120 mm ² FEED THRU BOLT/NUT TB GREEN	460.10	1	EA	10	B
CBB120LS	120 mm ² FEED THRU SLOTTED BOLT TERMINAL	418.30	1	EA	10	B
CBB120LSBK	120 mm ² FEED THRU SLOTTED BOLT TB BLACK	460.10	1	EA	10	B
CBB120LSR	120 mm ² FEED THRU SLOTTED BOLT TB RED	460.10	1	EA	10	B
CBB120LS-RL	UD-120mm ² FD THR REDUCED LNGTH SLTD	460.10	1	EA	10	B
CBB120R	120 mm ² FEED THRU BOLT/NUT TB RED	460.10	1	EA	10	B
CBB120Y	120 mm ² FEED THRU BOLT/NUT TB YELLOW	460.10	1	EA	10	B
CBB150	150 mm ² FD THRU BOLT/NUT TERMINAL BLOCK	518.50	1	EA	10	B
CBB150BK	150 mm ² FEED THRU BOLT/NUT TB BLACK	570.30	1	EA	10	B
CBB150BU	150 mm ² FEED THRU BOLT/NUT TB BLUE	570.30	1	EA	10	B
CBB150LS	150 mm ² FEED THRU SLOTTED BOLT TERMINAL	518.50	1	EA	10	B
CBB150R	150 mm ² FEED THRU BOLT/NUT TB RED	570.30	1	EA	10	B
CBB150Y	150 mm ² FEED THRU BOLT/NUT TB YELLOW	570.30	1	EA	10	B
CBB185	185 mm ² FD THRU BOLT/NUT TERMINAL BLOCK	650.00	1	EA	10	B
CBB185BK	185 mm ² FEED THRU BOLT/NUT TB BLACK	715.00	1	EA	10	B
CBB185BU	185 mm ² FEED THRU BOLT/NUT TB BLUE	715.00	1	EA	10	B
CBB185GN	185 mm ² FEED THRU BOLT/NUT TB GREEN	715.00	1	EA	10	B
CBB185LS	185 mm ² FEED THRU SLOTTED BOLT TERMINAL	650.00	1	EA	10	B
CBB185LSBK	185 mm ² FEED THRU SLOTTED BOLT TB BLACK	715.00	1	EA	10	B
CBB185LSR	185 mm ² FEED THRU SLOTTED BOLT TB RED	715.00	1	EA	10	B
CBB185LS-RL	185mm ² FD THR REDUCED LNGTH SLTD BOLT TB	715.00	1	EA	10	B
CBB185LS-RLBK	185mm ² FDTH REDUCED LEN SLTD BOLT TB BLK	786.50	1	EA	10	B
CBB185LS-RLBU	185mm ² FDTH REDUCED LEN SLTD BOLT TB BLU	786.50	1	EA	10	B
CBB185LS-RLR	185mm ² FDTH REDUCED LEN SLTD BOLT TB RED	786.50	1	EA	10	B
CBB185LS-RLY	185mm ² FDTH REDUCED LEN SLTD BOLT TB YLW	786.50	1	EA	10	B
CBB185R	185 mm ² FEED THRU BOLT/NUT TB RED	715.00	1	EA	10	B
CBB185Y	185 mm ² FEED THRU BOLT/NUT TB YELLOW	715.00	1	EA	10	B
CBB35/50	50 mm ² FD THRU BOLT/NUT TERMINAL BLOCK	142.00	1	EA	10	B
CBB35/50BK	50 mm ² FEED THRU BOLT/NUT TB BLACK	156.20	1	EA	10	B

Part #	Description	List Price in ₹	Per	UOM	Std. Pack	Group
CBB35/50BU	50 mm ² FEED THRU BOLT/NUT TB BLUE	156.20	1	EA	10	B
CBB35/50GN	50 mm ² FEED THRU BOLT/NUT TB GREEN	156.20	1	EA	10	B
CBB35/50LS	50 mm ² FEED THRU SLOTTED BOLT TERMINAL	142.00	1	EA	10	B
CBB35/50LSBK	50 mm ² FEED THRU SLOTTED BOLT TB BLACK	156.20	1	EA	10	B
CBB35/50LSBU	50 mm ² FEED THRU SLOTTED BOLT TB BLUE	156.20	1	EA	10	B
CBB35/50LSR	50 mm ² FEED THRU SLOTTED BOLT TB RED	156.20	1	EA	10	B
CBB35/50LS-RL	50mm ² FT REDUCED LNGTH SLTD BOLT TB	156.20	1	EA	10	B
CBB35/50LS-RLBK	50mm ² FT REDUCED LNGTH SLTD BOLT TB BLK	171.80	1	EA	10	B
CBB35/50LS-RLBU	50mm ² FT REDUCED LNGTH SLTD BOLT TB BLU	171.80	1	EA	10	B
CBB35/50LS-RLGN	50mm ² FT REDUCED LNGTH SLTD BOLT TB GRN	171.80	1	EA	10	B
CBB35/50LS-RLR	50mm ² FT REDUCED LNGTH SLTD BOLT TB RED	171.80	1	EA	10	B
CBB35/50LS-RLY	50mm ² FT REDUCED LNGTH SLTD BOLT TB YLW	171.80	1	EA	10	B
CBB35/50LSY	50 mm ² FEED THRU SLOTTED BOLT TB YELLOW	156.20	1	EA	10	B
CBB35/50R	50 mm ² FEED THRU BOLT/NUT TB RED	156.20	1	EA	10	B
CBB35/50Y	50 mm ² FEED THRU BOLT/NUT TB YELLOW	156.20	1	EA	10	B
CBB70	70 mm ² FD THRU BOLT/NUT TERMINAL BLOCK	285.00	1	EA	10	B
CBB70BK	70 mm ² FEED THRU BOLT/NUT TB BLACK	313.50	1	EA	10	B
CBB70BU	70 mm ² FEED THRU BOLT/NUT TB BLUE	313.50	1	EA	10	B
CBB70GN	70 mm ² FEED THRU BOLT/NUT TB GREEN	313.50	1	EA	10	B
CBB70LS	70 mm ² FEED THRU SLOTTED BOLT TERMINAL	285.00	1	EA	10	B
CBB70LSBK	70 mm ² FEED THRU SLOTTED BOLT TB BLACK	313.50	1	EA	10	B
CBB70LSBU	70 mm ² FEED THRU SLOTTED BOLT TB BLUE	313.50	1	EA	10	B
CBB70LSR	70 mm ² FEED THRU SLOTTED BOLT TB RED	313.50	1	EA	10	B
CBB70LS-RL	UD-70mm ² FD THR REDUCED LNGTH SLTD B	313.50	1	EA	10	B
CBB70LS-RLBK	70mm ² FDTH REDUCED LGTH SLTD BOLT TB BLK	344.80	1	EA	10	B
CBB70LS-RLBU	70mm ² FDTH REDUCED LGTH SLTD BOLT TB BLU	344.80	1	EA	10	B
CBB70LS-RLR	70mm ² FDTH REDUCED LGTH SLTD BOLT TB RED	344.80	1	EA	10	B
CBB70LS-RLY	70mm ² FDTH REDUCED LGTH SLTD BOLT TB YLW	344.80	1	EA	10	B
CBB70LSY	70 mm ² FEED THRU SLOTTED BOLT TB YELLOW	313.50	1	EA	10	B
CBB70R	70 mm ² FEED THRU BOLT/NUT TB RED	313.50	1	EA	10	B
CBB70Y	70 mm ² FEED THRU BOLT/NUT TB YELLOW	313.50	1	EA	10	B
CBB95	95 mm ² FD THRU BOLT/NUT TERMINAL BLOCK	300.00	1	EA	10	B
CBB95BK	95 mm ² FEED THRU BOLT/NUT TB BLACK	330.00	1	EA	10	B
CBB95BU	95 mm ² FEED THRU BOLT/NUT TB BLUE	330.00	1	EA	10	B
CBB95GN	95 mm ² FEED THRU BOLT/NUT TB GREEN	330.00	1	EA	10	B
CBB95LS	95 mm ² FEED THRU SLOTTED BOLT TERMINAL	300.00	1	EA	10	B
CBB95LSBU	95 mm ² FEED THRU SLOTTED BOLT TB BLU	330.00	1	EA	10	B
CBB95LSR	95 mm ² FEED THRU SLOTTED BOLT TB RED	330.00	1	EA	10	B
CBB95LSY	95 mm ² FEED THRU SLOTTED BOLT TB YLW	330.00	1	EA	10	B
CBB95R	95 mm ² FEED THRU BOLT/NUT TB RED	330.00	1	EA	10	B
CBB95Y	95 mm ² FEED THRU BOLT/NUT TB YELLOW	330.00	1	EA	10	B
CBBPC1/100	PROTECT COVR FR CBB35/50/70/95 100mm LNG	110.00	1	EA	10	B
CBBPC1/130	PROTECT COVR FR CBB35/50/70/95 130mm LNG	146.10	1	EA	10	B
CBBPC1/160	PROTECT COVR FR CBB35/50/70/95 160mm LNG	168.50	1	EA	10	B
CBBPC1/200	PROT CVR FR CBB35/50/70/95 200mm LNG	204.70	1	EA	10	B
CBBPC1/250	PROT CVR FR CBB35/50/70/95 250mm LNG	240.70	1	EA	10	B
CBBPC1/70	PROTECT COVR FR CBB35/50/70/95 70mm LNG	94.70	1	EA	10	B
CBBPC1/80	PROTECT COVR FR CBB35/50/70/95 80mm LNG	103.00	1	EA	10	B
CBBPC2/100	PROTECT COVR FR CBB120/150/185 100mm LNG	126.70	1	EA	10	B
CBBPC2/160	PROT CVR FR CBB120/150/185 160mm LNG	186.50	1	EA	10	B
CBBPC2/200	PROTECT COVR FR CBB120/150/185 200mm	229.60	1	EA	10	B

Part #	Description	List Price in ₹	Per	UOM	Std. Pack	Group
CBBPC2/250	PROTECT COVR FR CBB120/150/185 250mm LNG	272.80	1	EA	10	B
CBDT4U	6 mm ² M4 STUD SLIDE LINK DISCONNECT TB	75.00	1	EA	50	B
CBDT4UBK	6 mm ² M4 STUD SLIDE LNK DISCONNECT TB BLK	82.50	1	EA	50	B
CBDT4UBU	6 mm ² M4 STUD SLIDE LNK DISCONNECT TB BLU	82.50	1	EA	50	B
CBDT4UGN	6 mm ² M4 STUD SLIDE LNK DISCONNECT TB GRN	82.50	1	EA	50	B
CBDT4UN	6 mm ² M4 BR STUD SLIDE LINK DISCONNECT TB	63.40	1	EA	50	B
CBDT4UNS	6mm ² M4 BR STUD SLIDE LNK DISC SOC HD NUT	68.00	1	EA	50	B
CBDT4UNSE	6mm ² M4 STL STUD SLID LNK DISC SOC HD NUT	63.40	1	EA	50	B
CBDT4UR	6 mm ² M4 STUD SLIDE LNK DISCONNECT TB RED	82.50	1	EA	50	B
CBDT4UY	6 mm ² M4 STUD SLIDE LNK DISCONNECT TB YLW	82.50	1	EA	50	B
CBS3U	6 mm ² M3 SCREW BARRIER TYPE TERMINAL	23.40	1	EA	100	B
CBS3UBK	6 mm ² M3 SCREW BARRIER TYPE TB BLACK	25.70	1	EA	100	B
CBS3UBU	6 mm ² M3 SCREW BARRIER TYPE TB BLUE	25.70	1	EA	100	B
CBS3UGN	6 mm ² M3 SCREW BARRIER TYPE TB GREEN	25.70	1	EA	100	B
CBS3UR	6 mm ² M3 SCREW BARRIER TYPE TB RED	25.70	1	EA	100	B
CBS3UY	6 mm ² M3 SCREW BARRIER TYPE TB YELLOW	25.70	1	EA	100	B
CBS4U	10 mm ² M4 SCREW BARRIER TYPE TERMINAL	26.50	1	EA	100	B
CBS4UBK	10 mm ² M4 SCREW BARRIER TYPE TB BLACK	29.10	1	EA	100	B
CBS4UBU	10 mm ² M4 SCREW BARRIER TYPE TB BLUE	29.10	1	EA	100	B
CBS4UR	10 mm ² M4 SCREW BARRIER TYPE TB RED	29.10	1	EA	100	B
CBS4UY	10 mm ² M4 SCREW BARRIER TYPE TB YELLOW	29.10	1	EA	100	B
CBS5U	16 mm ² M4 SCREW BARRIER TYPE TERMINAL	32.40	1	EA	100	B
CBS5UBK	16 mm ² M4 SCREW BARRIER TYPE TB BLACK	35.60	1	EA	100	B
CBS5UBU	16 mm ² M4 SCREW BARRIER TYPE TB BLUE	35.60	1	EA	100	B
CBS5UGN	16 mm ² M4 SCREW BARRIER TYPE TB GREEN	35.60	1	EA	100	B
CBS5UR	16 mm ² M4 SCREW BARRIER TYPE TB RED	35.60	1	EA	100	B
CBS5UY	16 mm ² M4 SCREW BARRIER TYPE TB YELLOW	35.60	1	EA	100	B
CCC4U	4mm ² COMPONENT CARRIER SCREW CLAMP TB	79.90	1	EA	50	B
CDB10/1	1X35mm ² I/P 4X10mm ² O/P DISTR BLOCK	175.00	1	EA	10	B
CDB10/1BK	1X35mm ² I/P 4X10mm ² O/P DISTR BLOCK BLK	192.50	1	EA	10	B
CDB10/1BU	1X35mm ² I/P 4X10mm ² O/P DB BLU	192.50	1	EA	10	B
CDB10/1R	1X35mm ² I/P 4X10mm ² O/P DISTR BLOCK RED	192.50	1	EA	10	B
CDB10/1Y	1X35mm ² I/P 4X10mm ² O/P DB YLW	192.50	1	EA	10	B
CDB10/2	1X35mm ² I/P 8X10mm ² O/P DISTR BLOCK	227.70	1	EA	10	B
CDB10/2BK	1X35mm ² I/P 8X10mm ² O/P DISTR BLOCK BLK	250.40	1	EA	10	B
CDB10/2BU	1X35mm ² I/P 8X10mm ² O/P DISTR BLOCK BLU	250.40	1	EA	10	B
CDB10/2GN	1X35mm ² I/P 8X10mm ² O/P DISTR BLOCK GRN	250.40	1	EA	10	B
CDB10/2R	1X35mm ² I/P 8X10mm ² O/P DISTR BLOCK RED	250.40	1	EA	10	B
CDB10/2Y	1X35mm ² I/P 8X10mm ² O/P DISTR BLOCK YLW	250.40	1	EA	10	B
CDB10/3	1X35mm ² I/P 12X10mm ² O/P DISTR BLOCK	281.70	1	EA	5	B
CDB10/3BK	1X35mm ² I/P 12X10mm ² O/P DISTR BLOCK BLK	309.90	1	EA	5	B
CDB10/3BU	1X35mm ² I/P 12X10mm ² O/P DISTR BLOCK BLU	309.90	1	EA	5	B
CDB10/3GN	1X35mm ² I/P 12X10mm ² O/P DISTR BLOCK GRN	309.90	1	EA	10	B
CDB10/3R	1X35mm ² I/P 12X10mm ² O/P DISTR BLOCK RED	309.90	1	EA	5	B
CDB10/3Y	1X35mm ² I/P 12X10mm ² O/P DISTR BLOCK YLW	309.90	1	EA	5	B
CDB10/4	1X35mm ² I/P 16X10mm ² O/P DISTR BLOCK	324.70	1	EA	5	B
CDB10/4BK	1X35mm ² I/P 16X10mm ² O/P DISTR BLOCK BLK	357.10	1	EA	5	B
CDB10/4BU	1X35mm ² I/P 16X10mm ² O/P DISTR BLOCK BLU	357.10	1	EA	5	B
CDB10/4GN	1X35mm ² I/P 16X10mm ² O/P DISTR BLOCK GRN	357.10	1	EA	5	B
CDB10/4R	1X35mm ² I/P 16X10mm ² O/P DISTR BLOCK RED	357.10	1	EA	5	B
CDB10/4Y	1X35mm ² I/P 16X10mm ² O/P DISTR BLOCK YLW	357.10	1	EA	5	B

Part #	Description	List Price in ₹	Per	UOM	Std. Pack	Group
CDB25/1	1X50mm ² I/P 4X25mm ² O/P DISTR BLOCK	346.50	1	EA	10	B
CDB25/1BK	1X50mm ² I/P 4X25mm ² O/P DISTR BLOCK BLK	381.10	1	EA	10	B
CDB25/1BU	1X50mm ² I/P 4X25mm ² O/P DISTR BLOCK BLU	381.10	1	EA	10	B
CDB25/1GN	1X50mm ² I/P 4X25mm ² O/P DISTR BLOCK GRN	381.10	1	EA	10	B
CDB25/1R	1X50mm ² I/P 4X25mm ² O/P DISTR BLOCK RED	381.10	1	EA	10	B
CDB25/1Y	1X50mm ² I/P 4X25mm ² O/P DISTR BLOCK YLW	381.10	1	EA	10	B
CDB25/2	1X50mm ² I/P 8X25mm ² O/P DISTR BLOCK	401.90	1	EA	10	B
CDB25/2BK	1X50mm ² I/P 8X25mm ² O/P DISTR BLOCK BLK	442.00	1	EA	10	B
CDB25/2BU	1X50mm ² I/P 8X25mm ² O/P DISTR BLOCK BLU	442.00	1	EA	10	B
CDB25/2GN	1X50mm ² I/P 8X25mm ² O/P DISTR BLOCK GRN	442.00	1	EA	10	B
CDB25/2R	1X50mm ² I/P 8X25mm ² O/P DISTR BLOCK RED	442.00	1	EA	10	B
CDB25/2Y	1X50mm ² I/P 8X25mm ² O/P DISTR BLOCK YLW	442.00	1	EA	10	B
CDB25/3	1X50mm ² I/P 12X25mm ² O/P DISTR BLOCK	485.10	1	EA	10	B
CDB25/3BK	1X50mm ² I/P 12X25mm ² O/P DISTR BLOCK BLK	533.60	1	EA	10	B
CDB25/3BU	1X50mm ² I/P 12X25mm ² O/P DISTR BLOCK BLU	533.60	1	EA	10	B
CDB25/3GN	1X50mm ² I/P 12X25mm ² O/P DB GRN	533.60	1	EA	10	B
CDB25/3R	1X50mm ² I/P 12X25mm ² O/P DISTR BLOCK RED	533.60	1	EA	10	B
CDB25/3Y	1X50mm ² I/P 12X25mm ² O/P DISTR BLOCK YLW	533.60	1	EA	10	B
CDB25/4	1X50mm ² I/P 16X25mm ² O/P DISTR BLOCK	521.20	1	EA	5	B
CDB25/4BK	1X50mm ² I/P 16X25mm ² O/P DISTR BLOCK BLK	573.30	1	EA	5	B
CDB25/4BU	1X50mm ² I/P 16X25mm ² O/P DISTR BLOCK BLU	573.30	1	EA	5	B
CDB25/4R	1X50mm ² I/P 16X25mm ² O/P DISTR BLOCK RED	573.30	1	EA	5	B
CDB25/4Y	1X50mm ² I/P 16X25mm ² O/P DISTR BLOCK YLW	573.30	1	EA	5	B
CDB4/1	1X16mm ² I/P 4X4mm ² O/P DISTR BLOCK	134.50	1	EA	10	B
CDB4/10(1)	1X16mm ² I/P 22X4mm ² O/P SIDE ENTRY DB	277.20	1	EA	5	B
CDB4/11(1)	1X16mm ² I/P 24X4mm ² O/P SIDE ENTRY DB	291.10	1	EA	5	B
CDB4/11(1)BK	1X16mm ² I/P 24X4mm ² O/P SIDE ENTRY DB BLK	320.20	1	EA	5	B
CDB4/11(1)BU	1X16mm ² I/P 24X4mm ² O/P SIDE ENTRY DB BLU	320.20	1	EA	5	B
CDB4/11(1)GN	1X16mm ² I/P 24X4mm ² O/P SIDE ENTRY DB GRN	320.20	1	EA	5	B
CDB4/11(1)R	1X16mm ² I/P 24X4mm ² O/P SIDE ENTRY DB RED	320.20	1	EA	5	B
CDB4/11(1)Y	1X16mm ² I/P 24X4mm ² O/P SIDE ENTRY DB YLW	320.20	1	EA	5	B
CDB4/1BK	1X16mm ² I/P 4X4mm ² O/P DISTR BLOCK BLK	147.90	1	EA	10	B
CDB4/1BU	1X16mm ² I/P 4X4mm ² O/P DISTR BLOCK BLU	147.90	1	EA	10	B
CDB4/1R	1X16mm ² I/P 4X4mm ² O/P DISTR BLOCK RED	147.90	1	EA	10	B
CDB4/1Y	1X16mm ² I/P 4X4mm ² O/P DISTR BLOCK YLW	147.90	1	EA	10	B
CDB4/2	1X16mm ² I/P 8X4mm ² O/P DISTR BLOCK	159.50	1	EA	10	B
CDB4/2(1)	1X16mm ² I/P 6X4mm ² O/P SIDE ENTRY DB	152.50	1	EA	10	B
CDB4/2BK	1X16mm ² I/P 8X4mm ² O/P DISTR BLOCK BLK	175.40	1	EA	10	B
CDB4/2BU	1X16mm ² I/P 8X4mm ² O/P DISTR BLOCK BLU	175.40	1	EA	10	B
CDB4/2GN	1X16mm ² I/P 8X4mm ² O/P DISTR BLOCK GRN	175.40	1	EA	10	B
CDB4/2R	1X16mm ² I/P 8X4mm ² O/P DISTR BLOCK RED	175.40	1	EA	10	B
CDB4/2Y	1X16mm ² I/P 8X4mm ² O/P DISTR BLOCK YLW	175.40	1	EA	10	B
CDB4/3	1X16mm ² I/P 12X4mm ² O/P DISTR BLOCK	188.50	1	EA	10	B
CDB4/3(1)	1X16mm ² I/P 8X4mm ² O/P SIDE ENTRY DB	166.30	1	EA	10	B
CDB4/3BK	1X16mm ² I/P 12X4mm ² O/P DISTR BLOCK BLK	207.30	1	EA	10	B
CDB4/3BU	1X16mm ² I/P 12X4mm ² O/P DISTR BLOCK BLU	207.30	1	EA	10	B
CDB4/3GN	1X16mm ² I/P 12X4mm ² O/P DB GRN	207.30	1	EA	10	B
CDB4/3R	1X16mm ² I/P 12X4mm ² O/P DISTR BLOCK RED	207.30	1	EA	10	B
CDB4/3Y	1X16mm ² I/P 12X4mm ² O/P DISTR BLOCK YLW	207.30	1	EA	10	B
CDB4/4	1X16mm ² I/P 16X4mm ² O/P DISTR BLOCK	235.60	1	EA	10	B
CDB4/4(1)	1X16mm ² I/P 10X4mm ² O/P SIDE ENTRY DB	180.20	1	EA	10	B

Part #	Description	List Price in ₹	Per	UOM	Std. Pack	Group
CDB4/4BK	1X16mm ² I/P 16X4mm ² O/P DISTR BLOCK BLK	259.10	1	EA	10	B
CDB4/4BU	1X16mm ² I/P 16X4mm ² O/P DISTR BLOCK BLU	259.10	1	EA	10	B
CDB4/4GN	1X16mm ² I/P 16X4mm ² O/P DB GRN	259.10	1	EA	10	B
CDB4/4R	1X16mm ² I/P 16X4mm ² O/P DISTR BLOCK RED	259.10	1	EA	10	B
CDB4/4Y	1X16mm ² I/P 16X4mm ² O/P DISTR BLOCK YLW	259.10	1	EA	10	B
CDB4/5	1X16mm ² I/P 20X4mm ² O/P DISTR BLOCK	249.50	1	EA	5	B
CDB4/5(1)	1X16mm ² I/P 12X4mm ² O/P SIDE ENTRY DB	194.00	1	EA	5	B
CDB4/5(1)BK	1X16mm ² I/P 12X4mm ² O/P SIDE ENTRY BLK	213.40	1	EA	5	B
CDB4/5(1)BU	1X16mm ² I/P 12X4mm ² O/P SIDE ENTRY BLU	213.40	1	EA	5	B
CDB4/5BK	1X16mm ² I/P 20X4mm ² O/P DISTR BLOCK BLK	274.40	1	EA	5	B
CDB4/5BU	1X16mm ² I/P 20X4mm ² O/P DB BLU	274.40	1	EA	5	B
CDB4/5GN	1X16mm ² I/P 20X4mm ² O/P DISTR BLOCK GRN	274.40	1	EA	5	B
CDB4/5R	1X16mm ² I/P 20X4mm ² O/P DB RED	274.40	1	EA	5	B
CDB4/5Y	1X16mm ² I/P 20X4mm ² O/P DB YLW	274.40	1	EA	5	B
CDB4/6	1X16mm ² I/P 24X4mm ² O/P DISTR BLOCK	280.00	1	EA	5	B
CDB4/6(1)	1X16mm ² I/P 14X4mm ² O/P SIDE ENTRY DB	207.90	1	EA	5	B
CDB4/6BK	1X16mm ² I/P 24X4mm ² O/P DISTR BLOCK BLK	308.00	1	EA	5	B
CDB4/6BU	1X16mm ² I/P 24X4mm ² O/P DISTR BLOCK BLU	308.00	1	EA	5	B
CDB4/6GN	1X16mm ² I/P 24X4mm ² O/P DISTR BLOCK GRN	308.00	1	EA	5	B
CDB4/6R	1X16mm ² I/P 24X4mm ² O/P DISTR BLOCK RED	308.00	1	EA	5	B
CDB4/6Y	1X16mm ² I/P 24X4mm ² O/P DISTR BLOCK YLW	308.00	1	EA	5	B
CDB6/1	1X25mm ² I/P 4X6mm ² O/P DISTR BLOCK GRY	139.80	1	EA	10	B
CDB6/1BU	1X25mm ² I/P 4X6mm ² O/P DISTR BLOCK BLU	153.70	1	EA	10	B
CDB6/1R	1X25mm ² I/P 4X6mm ² O/P DISTR BLOCK RED	153.70	1	EA	10	B
CDB6/1Y	1X25mm ² I/P 4X6mm ² O/P DISTR BLOCK YLW	153.70	1	EA	10	B
CDB6/2	1X25mm ² I/P 8X6mm ² O/P DISTR BLOCK	164.00	1	EA	10	B
CDB6/2BK	1X25mm ² I/P 8X6mm ² O/P DISTR BLOCK BLK	180.40	1	EA	10	B
CDB6/2BU	1X25mm ² I/P 8X6mm ² O/P DISTR BLOCK BLU	180.40	1	EA	10	B
CDB6/2GN	1X25mm ² I/P 8X6mm ² O/P DISTR BLOCK GRN	180.40	1	EA	10	B
CDB6/2R	1X25mm ² I/P 8X6mm ² O/P DISTR BLOCK RED	180.40	1	EA	10	B
CDB6/2Y	1X25mm ² I/P 8X6mm ² O/P DISTR BLOCK YLW	180.40	1	EA	10	B
CDB6/3	1X25mm ² I/P 12X6mm ² O/P DISTR BLOCK	217.70	1	EA	10	B
CDB6/3BK	1X25mm ² I/P 12X6mm ² O/P DISTR BLOCK BLK	239.40	1	EA	10	B
CDB6/3BU	1X25mm ² I/P 12X6mm ² O/P DISTR BLOCK BLU	239.40	1	EA	10	B
CDB6/3GN	1X25mm ² I/P 12X6mm ² O/P DISTR BLOCK GRN	239.40	1	EA	10	B
CDB6/3R	1X25mm ² I/P 12X6mm ² O/P DISTR BLOCK RED	239.40	1	EA	10	B
CDB6/3Y	1X25mm ² I/P 12X6mm ² O/P DISTR BLOCK YLW	239.40	1	EA	10	B
CDB6/4	1X25mm ² I/P 16X6mm ² O/P DISTR BLOCK	255.30	1	EA	5	B
CDB6/4BK	1X25mm ² I/P 16X6mm ² O/P DISTR BLOCK BLK	280.80	1	EA	5	B
CDB6/4BU	1X25mm ² I/P 16X6mm ² O/P DISTR BLOCK BLU	280.80	1	EA	5	B
CDB6/4GN	1X16mm ² I/P 24X6mm ² O/P DISTR BLOCK GRN	280.80	1	EA	5	B
CDB6/4R	1X25mm ² I/P 16X6mm ² O/P DISTR BLOCK RED	280.80	1	EA	5	B
CDB6/4Y	1X25mm ² I/P 16X6mm ² O/P DISTR BLOCK YLW	280.80	1	EA	5	B
CDINS16	DIN RAIL MOUNTABLE SOCKET 15 Amp	747.50	1	EA	10	A
CDINS6	DIN RAIL MOUNTABLE SOCKET 5 Amp	710.10	1	EA	10	A
CDINS16	DIN RAIL MOUNTABLE SOCKET 16 Amp	840.90	1	EA	10	A
CDINSUK	DIN RAIL MOUNTABLE 7648.UK SOCKET 13Amp	840.90	1	EA	10	A
CDINSW1	DIN RAIL MOUNTABLE 1 POLE SWITCH	710.10	1	EA	10	A
CDINSW2	DIN RAIL MOUNTABLE 2 POLE SWITCH	934.30	1	EA	10	A
CDL4U(E)RC0.22MF	4mm ² 2LVL SW CL SURG SUPPR RC TYP 0.22MF	436.40	1	EA	32	B
CDL4U(O)	4 mm ² 2 LEVEL OPEN TYPE SCREW CLAMP TB	55.60	1	EA	100	B

Part #	Description	List Price in ₹	Per	UOM	Std. Pack	Group
CDL4UED1	4 mm ² 2 LEVEL SCREW CLAMP DIODE D1 TB	72.70	1	EA	100	B
CDL4UED2	4 mm ² 2 LEVEL SCREW CLAMP DIODE D2 TB	72.70	1	EA	100	B
CDL4UED3	4 mm ² 2 LEVEL SCREW CLAMP DIODE D3 TB	72.70	1	EA	100	B
CDL4UEDD1	4 mm ² 2 LEVEL SCREW CLAMP 2 DIODE DD1 TB	72.70	1	EA	100	B
CDL4UEDD2	4 mm ² 2 LEVEL SCREW CLAMP 2 DIODE DD2 TB	72.70	1	EA	100	B
CDL4UEDD3	4 mm ² 2 LEVEL SCREW CLAMP 2 DIODE DD3 TB	72.70	1	EA	100	B
CDL4UEDD4	4 mm ² 2 LEVEL SCREW CLAMP 2 DIODE DD4 TB	72.70	1	EA	100	B
CDL4UEDD5	4 mm ² 2 LVL SCRW CL 12V DIODE DD5 TB	72.70	1	EA	100	B
CDL4UEL1-24V	4 mm ² 2 LEVEL SCREW CLAMP 24V LED L1 TB	72.70	1	EA	100	B
CDL4UEL2-24V	4 mm ² 2 LEVEL SCREW CLAMP 24V LED L2 TB	72.70	1	EA	100	B
CDL4UELA(90V)	4 mm ² 2 LEVEL SW CL SURG SUPPR 90V	182.00	1	EA	32	B
CDL4UELD1-110V	4 mm ² 2 LEVEL SCRW CLAMP 110V LED LD1 TB	72.70	1	EA	100	B
CDL4UELD1-24V	4 mm ² 2 LEVEL SCRW CLAMP 24V LED LD1 TB	72.70	1	EA	100	B
CDL4UELD2-24V	4 mm ² 2 LEVEL SCRW CLAMP 24V LED LD2 TB	72.70	1	EA	100	B
CDL4UELD3-110V	4 mm ² 2 LVL SCREW CLAMP 110V LED LD3 TB	72.70	1	EA	100	B
CDL4UELD3-24V	4 mm ² 2 LEVEL SCREW CLAMP 24V LED LD3 TB	72.70	1	EA	100	B
CDL4UELD4-24V	4 mm ² 2 LEVEL SCREW CLAMP 24V LED LD4 TB	72.70	1	EA	100	B
CDL4UELD4-48V	4 mm ² 2 LEVEL SCREW CLAMP 48V LED LD4 TB	72.70	1	EA	100	B
CDL4UELD5-110V	4 mm ² 2 LEVEL SCRW CLAMP 110V LED LD5 TB	72.70	1	EA	100	B
CDL4UELD5-220V	4 mm ² 2 LEVEL SCRW CLAMP 220V LED LD5 TB	72.70	1	EA	100	B
CDL4UELD5-24V	4 mm ² 2 LEVEL SCREW CLAMP 24V LED LD5 TB	72.70	1	EA	100	B
CDL4UEMOV(460V)	4 mm ² 2 LVL SW CL SURG SUPPR MOV 460V	291.00	1	EA	52	B
CDL4UEMOV-130V	4 mm ² 2 LVL SW CL SURG SUPPR MOV 130V	83.50	1	EA	52	B
CDL4UEMOV-275V	4 mm ² 2 LVL SW CL SURG SUPPR MOV 275V	83.50	1	EA	52	B
CDL4UEMOV-30V	4 mm ² 2 LVL SW CL SURG SUPPR MOV 30V	83.50	1	EA	52	B
CDL4UEMOV-510V	4 mm ² 2 LVL SW CL SURG SUPPR MOV 510V	92.00	1	EA	52	B
CDL4UEMOV-60V	4 mm ² 2 LVL SW CL SURG SUPPR MOV 60V	83.50	1	EA	50	B
CDL4UEMOV-75V	ACTV SURGE SUPPR MOV PA TB (75V) GRY	83.50	1	EA	52	B
CDL4UEN1-110V	4 mm ² 2 LEVEL SCR CL 110V NEON N1 TB	72.70	1	EA	100	B
CDL4UEN1-220V	4 mm ² 2 LEVEL SCREW CLMP 220V NEON N1 TB	72.70	1	EA	100	B
CDL4UERCO-0.1MF	4 mm ² 2LVL SW CL SURG SUPPR RC TYP 0.1MF	363.70	1	EA	32	B
CDL4UERR1	4 mm ² 2 LVL SW CL 2 RESISTOR RR1 TB	101.80	1	EA	100	B
CDL4UESDB-160V	4 MM ² 2 LVL SW CL SUPPRESSOR DIODE 160V	218.20	1	EA	52	B
CDL4UESDUA24V	4 mm ² 2 LVL SW CL SUPPRESSOR DIODE 24V	209.00	1	EA	52	B
CDL4UN	4 mm ² 2 LEVEL SCREW CLAMP TERMINAL BLOCK	29.50	1	EA	100	B
CDL4UN(I.S)	4 mm ² 2 LEVEL SCREW CLAMP INT SHORTED TB	39.90	1	EA	100	B
CDL4UN(I.S)BG	4 mm ² 2 LEVEL SCRW CLMP INT SHRTD TB BGE	43.80	1	EA	500	B
CDL4UN(I.S)BK	4 mm ² 2 LEVEL SCRW CLMP INT SHRTD TB BLK	43.80	1	EA	100	B
CDL4UN(I.S)BR	4 mm ² 2 LEVEL SCRW CLMP INT SHRTD TB BRN	43.80	1	EA	500	B
CDL4UN(I.S)BU	4 mm ² 2 LEVEL SCRW CLMP INT SHRTD TB BLU	43.80	1	EA	100	B
CDL4UN(I.S)GN	4 mm ² 2 LEVEL SCRW CLMP INT SHRTD TB GRN	43.80	1	EA	100	B
CDL4UN(I.S)R	4 mm ² 2 LEVEL SCRW CLMP INT SHRTD TB RED	43.80	1	EA	100	B
CDL4UN(I.S)W	DBL LVL INTERNALLY SHORTED TB WHT	43.80	1	EA	500	B
CDL4UN(I.S)Y	4 mm ² 2 LEVEL SCRW CLMP INT SHRTD TB YLW	43.80	1	EA	100	B
CDL4UNBG	4 MM ² 2 LVL SCRW CLMP TERMINAL BLOCK BGE	32.40	1	EA	500	B
CDL4UNBK	4 mm ² 2 LVL SCRW CLMP TERMINAL BLOCK BLK	32.40	1	EA	100	B
CDL4UNBR	4 mm ² 2 LVL SCRW CLMP TERMINAL BLOCK BRN	32.40	1	EA	500	B
CDL4UNBU	4 mm ² 2 LVL SCRW CLMP TERMINAL BLOCK BLU	32.40	1	EA	100	B
CDL4UNGN	4 mm ² 2 LVL SCRW CLMP TERMINAL BLOCK GRN	32.40	1	EA	100	B
CDL4UNO	4 mm ² 2 LVL SCRW CLMP TERMINAL BLOCK ORG	32.40	1	EA	500	B
CDL4UNR	4 mm ² 2 LVL SCRW CLMP TERMINAL BLOCK RED	32.40	1	EA	100	B

Part #	Description	List Price in ₹	Per	UOM	Std. Pack	Group
CDL4UNSL	4 mm ² 2 LVL SCRW CLMP TERMINAL BLOCK SLV	32.40	1	EA	100	B
CDL4UNSP	POLYAMIDE SPACER FOR CDL4UN SERIES	10.40	1	EA	100	B
CDL4UNW	4 mm ² 2 LVL SCRW CLMP TERMINAL BLOCK WHT	32.40	1	EA	500	B
CDL4UNY	4 mm ² 2 LVL SCRW CLMP TERMINAL BLOCK YLW	32.40	1	EA	100	B
CDL4USP	POLYAMIDE SPACER FOR CDL4U SERIES	10.40	1	EA	50	B
CDLG2.5	2.5 mm ² 2 LEVEL + GROUND SCREW CLAMP TB	191.10	1	EA	20	B
CDLG4	4 mm ² FEED THRU + GROUND SCREW CLAMP TB	108.40	1	EA	100	B
CDLG4(I.S)	4 mm ² 2 LEVEL SCREW CLAMP GROUND TB	121.00	1	EA	100	B
CDS6U	6 mm ² SLIDE LINK DISCONNECT SCRW CLMP TB	61.20	1	EA	50	B
CDS6U/FT	6 mm ² FEED THRU CDS6U PROFILE SW CLMP TB	58.00	1	EA	50	B
CDS6U/FTS	6 mm ² FD THRU CDS6U PROF 1 TST SOC SW CL	63.80	1	EA	50	B
CDS6U/SC	6 mm ² DISCONNECT SPRING LOADED SW CL TB	105.10	1	EA	50	B
CDS6U/SCW	6 mm ² DISCONN SPRING LOADED SW CL TB WHT	115.60	1	EA	50	B
CDS6U/SCY	6 mm ² DISCONN SPRING LOADED SW CL TB YLW	115.60	1	EA	50	B
CDS6U/TS	6 mm ² SLIDE LINK DISCON TEST SOC SW CL TB	93.40	1	EA	20	B
CDS6UBK	6 mm ² SLIDE LINK DISCON SCRW CLMP TB BLK	67.30	1	EA	50	B
CDS6UBU	6 mm ² SLIDE LINK DISCON SCRW CLMP TB BLU	67.30	1	EA	50	B
CDS6UCR	6 mm ² SLIDE LNK DISCON SC CL CORR RES TB	114.40	1	EA	50	B
CDS6UGN	6 mm ² SLIDE LINK DISCON SCRW CLMP TB GRN	67.30	1	EA	50	B
CDS6UPC(110MM)	PROTECTIVE COVER FOR CDS6U 110MM LONG	110.00	1	EA	50	B
CDS6UPC(135MM)	PROTECTIVE COVER FOR CDS6U 135MM LONG	131.00	1	EA	50	B
CDS6UPC(225MM)	PROTECTIVE COVER FOR CDS6U 225MM LONG	166.00	1	EA	10	B
CDS6UPC(85MM)	PROTECTIVE COVER FOR CDS6U 85MM LONG	100.20	1	EA	50	B
CDS6UR	6 mm ² SLIDE LINK DISCON SCRW CLMP TB RED	67.30	1	EA	50	B
CDS6USH	6 mm ² DISCONNECT SHORTED SCREW CLAMP TB	151.20	1	EA	22	B
CDS6UW	6 mm ² SLIDE LINK DISCON SCRW CLMP TB WHT	67.30	1	EA	50	B
CDS6UY	6 mm ² SLIDE LINK DISCON SCRW CLMP TB YLW	67.30	1	EA	50	B
CDT4	4 mm ² DISCONNECT TYPE METERING TERMINAL	93.10	1	EA	50	B
CDTPC1	PROTECTIVE COVER FOR 2nos CMDT4 TB'S	18.10	1	EA	100	B
CDTPC2	PROTECTIVE COVER FOR 3nos CMDT4 TB'S	27.80	1	EA	100	B
CDTPC3	PROTECTIVE COVER FOR CMDT4 100mm LONG	64.00	1	EA	10	B
CDTPC4	PROTECTIVE COVER FOR CMDT4 200mm LONG	116.90	1	EA	10	B
CDTPC5	PROTECTIVE COVER FOR CMDT4 300mm LONG	176.80	1	EA	10	B
CDTTU	10mm ² SLIDE LINK DISCONNECT SCREW CLMP TB	89.00	1	EA	50	B
CDTTUBK	10mm ² SLIDE LINK DISCON SCRW CLMP TB BLK	97.90	1	EA	50	B
CDTTUBU	10mm ² SLIDE LINK DISCON SCRW CLMP TB BLU	97.90	1	EA	50	B
CDTTUFT	10mm ² FEED THRU CDTTU PRO SCREW CLAMP	76.30	1	EA	50	B
CDTTUFTSC	DISCON & TEST PA TB GRY WITH SAFETY CONN	89.00	1	EA	50	B
CDTTUGN	10mm ² SLIDE LINK DISCON SCRW CLMP TB GRN	97.90	1	EA	50	B
CDTTUR	10mm ² SLIDE LINK DISCON SCRW CLMP TB RED	97.90	1	EA	50	B
CDTTUSC	10 mm ² DISCONNECT SPRING LOADED SW CL TB	99.20	1	EA	50	B
CDTTUSH	10 mm ² DISCONNECT SHORTD SCREW CLAMP TB	190.60	1	EA	20	B
CDTTUSHBK	10 mm ² DISCONNECT SHORTD SW CL TB BLK	209.60	1	EA	20	B
CDTTUSHBR	10 mm ² DISCONNECT SHORTD SW CL TB BRN	209.60	1	EA	20	B
CDTTUSHBU	10 mm ² DISCONNECT SHORTD SW CL TB BLU	209.60	1	EA	20	B
CDTTUSHREV	10 mm ² DISCONNECT SHORTD REV SW CL TB	209.60	1	EA	20	B
CDTTUW	10mm ² SLIDE LINK DISCON SCRW CLMP TB WHT	97.90	1	EA	250	B
CDTTUY	10mm ² SLIDE LINK DISCON SCRW CLMP TB YLW	97.90	1	EA	50	B
CENC16	16mm ² NEUTRAL/EARTH CLAMP GREEN	17.60	1	EA	50	B
CENC16BK	16mm ² NEUTRAL/EARTH CLAMP BLACK	19.30	1	EA	50	B
CENC16BR	16mm ² NEUTRAL/EARTH CLAMP BRN	19.30	1	EA	250	B

Part #	Description	List Price in ₹	Per	UOM	Std. Pack	Group
CENC16BU	16mm ² NEUTRAL/EARTH CLAMP BLUE	19.30	1	EA	50	B
CENC16G	16.0 SQ NEUTRAL/EARTH CLAMP GRY	19.30	1	EA	50	B
CENC16R	16mm ² NEUTRAL/EARTH CLAMP RED	19.30	1	EA	50	B
CENC16Y	16mm ² NEUTRAL/EARTH CLAMP YELLOW	19.30	1	EA	50	B
CENC35	35mm ² NEUTRAL/EARTH CLAMP GREEN	31.40	1	EA	50	B
CENC35BK	35mm ² NEUTRAL/EARTH CLAMP BLACK	34.50	1	EA	50	B
CENC35BU	35mm ² NEUTRAL/EARTH CLAMP BLUE	34.50	1	EA	50	B
CENC35G	35mm ² NEUTRAL/EARTH CLAMP GREY	34.50	1	EA	50	B
CENC35W	35mm ² NEUTRAL/EARTH CLAMP WHT	34.50	1	EA	250	B
CENC35Y	35mm ² NEUTRAL/EARTH CLAMP YELLOW	34.50	1	EA	50	B
CENC4	4mm ² NEUTRAL/EARTH CLAMP GREEN	13.30	1	EA	50	B
CENC4BK	4mm ² NEUTRAL/EARTH CLAMP BLACK	14.60	1	EA	50	B
CENC4BR	4mm ² NEUTRAL/EARTH CLAMP BRN	14.60	1	EA	250	B
CENC4BU	4mm ² NEUTRAL/EARTH CLAMP BLUE	14.60	1	EA	50	B
CENC4G	4mm ² NEUTRAL/EARTH CLAMP GRY	14.60	1	EA	50	B
CENC4R	4mm ² NEUTRAL/EARTH CLAMP RED	14.60	1	EA	50	B
CENC4W	4mm ² NEUTRAL/EARTH CLAMP WHITE	14.60	1	EA	50	B
CENC4Y	4mm ² NEUTRAL/EARTH CLAMP YELLOW	14.60	1	EA	50	B
CF4SP	4mm ² Ø5X20mm FUSE 6mm WIDE TERMNAL BLOCK	66.20	1	EA	50	B
CF4SPD1	4 mm ² SCREW CLAMP DIODE D1 (1N4007) TB	87.20	1	EA	50	B
CF4SPD2	4 mm ² SCREW CLAMP DIODE D2 (1N5408) TB	101.80	1	EA	50	B
CF4SPD3	4 mm ² SCREW CLAMP DIODE D3 (1N5820) TB	116.30	1	EA	50	B
CF4SPFT	4mm ² CF4SP PRO FEED THRU SCERW CLAMP TB	50.80	1	EA	50	B
CF4SPL110-240V	4mm ² Ø5X20mm FUSE SC CL TB LED 110-240V	86.00	1	EA	50	B
CF4SPL110-240VBU	4mm ² Ø5X20mm FUSE SC CL TB LED 110-240V B	94.60	1	EA	50	B
CF4SPL110-240VY	4mm ² Ø5X20mm FUSE SC CL TB LED 110-240V Y	94.60	1	EA	50	B
CF4SPL6-60V	4mm ² Ø5X20mm FUSE SC CL TB LED 6-60V	86.00	1	EA	50	B
CF4SPL6-60VBK	4mm ² Ø5X20mm FUSE SC CL TB LED 6-60V BLK	94.60	1	EA	50	B
CF4SPL6-60VBU	4mm ² Ø5X20mm FUSE SC CL TB LED 6-60V BU	94.60	1	EA	50	B
CF4SPL6-60VR	4mm ² Ø5X20mm FUSE SC CL TB LED 6-60V RED	94.60	1	EA	50	B
CF4SPL6-60VY	4mm ² Ø5X20mm FUSE SC CL TB LED 6-60V YLW	94.60	1	EA	50	B
CF4U	4mm ² Ø5X20mm FUSE SCREW CLAMP TERMINAL	41.10	1	EA	100	B
CF4U0.05	4mm ² Ø5X20mm 50mAMP SCREW CLAMP FUSE TB	49.30	1	EA	100	B
CF4U0.1	4mm ² Ø5X20mm 100mAMP SCREW CLAMP FUSE TB	51.30	1	EA	100	B
CF4U0.5	4mm ² Ø5X20mm 500mAMP SCREW CLAMP FUSE TB	51.30	1	EA	100	B
CF4U1.0	4mm ² Ø5X20mm 1 AMP SCREW CLAMP FUSE TB	51.30	1	EA	100	B
CF4U2.0	4mm ² Ø5X20mm 2 AMP SCREW CLAMP FUSE TB	51.30	1	EA	100	B
CF4U4	4mm ² Ø5X20mm 4 AMP SCREW CLAMP FUSE TB	51.30	1	EA	100	B
CF4U5.0	4mm ² Ø5X20mm 5 AMP SCREW CLAMP FUSE TB	51.30	1	EA	100	B
CF4U6	4mm ² Ø5X20mm 6 AMP SCREW CLAMP FUSE TB	51.30	1	EA	100	B
CF4U6.3	4mm ² Ø5X20mm 6.3 AMP SCREW CLAMP FUSE TB	51.30	1	EA	100	B
CF4UBK	4mm ² Ø5X20mm SCREW CLAMP FUSE TB BLACK	45.20	1	EA	100	B
CF4UBU	4mm ² Ø5X20mm SCREW CLAMP FUSE TB BLUE	45.20	1	EA	100	B
CF4UBU0.1	4mm ² Ø5X20mm 100mA SCREW CLMP FUSE TB BU	57.00	1	EA	100	B
CF4UBU1.0	4mm ² Ø5X20mm 1A SCREW CLMP FUSE TB BLU	57.00	1	EA	100	B
CF4UGN	4mm ² Ø5X20mm SCREW CLAMP FUSE TB GRN	45.20	1	EA	100	B
CF4UL110-240V	4mm ² Ø5X20mm SW CL FUSE TB 110-240V	61.60	1	EA	100	B
CF4UL110-240V0.1	4mm ² Ø5X20mm 100mA SW CL FUS TB110-240V	67.70	1	EA	100	B
CF4UL110-240V0.5	4mm ² Ø5X20mm 500mA SW CL FUS TB110-240V	67.70	1	EA	100	B
CF4UL110-240V1.0	4mm ² Ø5X20mm 1A SW CL FUSE TB 110-240V	67.70	1	EA	100	B
CF4UL110-240V2.0	4mm ² Ø5X20mm 2mA SW CL FUSE TB 110-240V	67.70	1	EA	100	B

Part #	Description	List Price in ₹	Per	UOM	Std. Pack	Group
CF4UL110-240V4.0	4mm ² Ø5X20mm 4A SW CL FUSE TB 110-240V	67.70	1	EA	100	B
CF4UL110-240V5.0	4mm ² Ø5X20mm 5mA SW CL FUSE TB 110-240V	67.70	1	EA	100	B
CF4UL110-240V6.3	4mm ² Ø5X20mm 6.3mA SW CL FUS TB110-240V	67.70	1	EA	100	B
CF4UL110-240V6.3BK	4mm ² Ø5X20 6.3mA SWCL FUS TB110-240V BLK	75.00	1	EA	100	B
CF4UL110-240V63MA	4mm ² Ø5X20mm 63mA SW CL FUS TB110-240V	67.70	1	EA	100	B
CF4UL110-240VBK	SL 4.0 SQ PA (W/O FUSE) CLSD TB BLK(LED)	67.70	1	EA	100	B
CF4UL110-240VBU	4mm ² Ø5X20mm SW CL FUSE TB 110-240V BLU	67.70	1	EA	100	B
CF4UL110-240VBU1.0	4mm ² Ø5X20mm 1A SW CL FUSE TB 110-240V BLU	75.00	1	EA	100	B
CF4UL110-240VR	4mm ² Ø5X20mm SW CL FUSE TB 110-240V RED	67.70	1	EA	100	B
CF4UL110-240VR1.0	4mm ² Ø5X20mm 1A SW CL FUSE TB 110-240V RED	75.00	1	EA	100	B
CF4UL110-240VRP	4mm ² Ø5X20 SWCL FU TB REV PRT 110-240V	62.00	1	EA	100	B
CF4UL110-240VRPBK	4mm ² Ø5X20 SWCL FUTB REV PRN 110-240V BK	68.20	1	EA	100	B
CF4UL110-240VRPBU	4mm ² Ø5X20mm SW CL FUSE TB 110-240V BLU	68.20	1	EA	100	B
CF4UL110-240VRPR	4mm ² Ø5X20 SWCL FUTB REV PRN 110-240V RED	68.20	1	EA	100	B
CF4UL110-240VY	4mm ² Ø5X20mm SW CL FUSE TB 110-240V YLW	67.70	1	EA	100	B
CF4UL440V	4mm ² (W/O FUSE) SCREW CLAMP TB 440V	62.00	1	EA	100	B
CF4UL440V5.0	4mm ² Ø5X20mm 5mA SW CL FUSE TB 440V	67.70	1	EA	100	B
CF4UL6-60V	4mm ² Ø5X20mm SCREW CLAMP FUSE TB 6-60V	61.60	1	EA	100	B
CF4UL6-60V0.1	4mm ² Ø5X20mm 100mA SW CL FUSE TB 6-60V	67.70	1	EA	100	B
CF4UL6-60V0.5	4mm ² Ø5X20mm 500mA SW CL FUSE TB 6-60V	67.70	1	EA	100	B
CF4UL6-60V1.0	4mm ² Ø5X20mm 1AMP SW CL FUSE TB 6-60V	67.70	1	EA	100	B
CF4UL6-60V2.0	4mm ² Ø5X20mm 2AMP SW CL FUSE TB 6-60V	67.70	1	EA	100	B
CF4UL6-60V2.0BK	4mm ² Ø5X20mm 2A SW CL FUSE TB 6-60V BLK	75.00	1	EA	100	B
CF4UL6-60V2.5	4mm ² Ø5X20mm 2.5AMP SW CL FUSE TB 6-60V	67.70	1	EA	100	B
CF4UL6-60V4.0	4mm ² Ø5X20mm 4AMP SW CL FUSE TB 6-60V	67.70	1	EA	100	B
CF4UL6-60V5.0	4mm ² Ø5X20mm 5AMP SW CL FUSE TB 6-60V	67.70	1	EA	100	B
CF4UL6-60V6.3	4mm ² Ø5X20mm 6.3AMP SW CL FUSE TB 6-60V	67.70	1	EA	100	B
CF4UL6-60V6.3BK	4mm ² Ø5X20mm 6.3A SW CL FUSE 6-60V BLK	75.00	1	EA	100	B
CF4UL6-60V6.3BU	4mm ² Ø5X20 6.3AMP SWCL FU TB 6-60V BLU	75.00	1	EA	100	B
CF4UL6-60VBK	4mm ² Ø5X20mm SCREW CL FUSE TB 6-60V BLK	67.70	1	EA	100	B
CF4UL6-60VBU	4mm ² Ø5X20mm SCREW CL FUSE TB 6-60V BLU	67.70	1	EA	100	B
CF4UL6-60VGN	4mm ² Ø5X20mm SCREW CL FUSE TB 6-60V GRN	67.70	1	EA	100	B
CF4UL6-60VO	4mm ² Ø5X20mm SCREW CL FUSE TB 6-60V ORG	67.70	1	EA	500	B
CF4UL6-60VR	4mm ² Ø5X20mm SCREW CL FUSE TB 6-60V RED	67.70	1	EA	100	B
CF4UL6-60VRP	4mm ² Ø5X20mm SW CL FU TB REV PRT 6-60V	62.00	1	EA	100	B
CF4UL6-60VRPBK	4mm ² Ø5X20mm SWCL FU TB REV PRT 6-60V BK	68.20	1	EA	100	B
CF4UL6-60VRPBU	4mm ² Ø5X20 SW CL FU TB REV PRT 6-60V BLU	68.20	1	EA	100	B
CF4UL6-60VY	4mm ² Ø5X20mm SCREW CL FUSE TB 6-60V YLW	67.70	1	EA	100	B
CF4UL6-60VY1.0	4mm ² Ø5X20mm 1A SW CL FUSE TB 6-60V YLW	75.00	1	EA	100	B
CF4UO	4mm ² Ø5X20mm SCREW CLAMP FUSE TB ORG	45.20	1	EA	500	B
CF4UR	4mm ² Ø5X20mm SCREW CLAMP FUSE TB RED	45.20	1	EA	100	B
CF4UW	4mm ² Ø5X20mm SCREW CLAMP FUSE TB WHITE	45.20	1	EA	100	B
CF4UY	4mm ² Ø5X20mm SCREW CLAMP FUSE TB YLW	45.20	1	EA	100	B
CGMT4	4 mm ² SCREW CLMP GROUND TB FR DIN15 RAIL	48.40	1	EA	100	B
CGT10N	10 mm ² SCREW CLAMP GROUND TERMINAL BLOCK	96.80	1	EA	50	B
CGT10U	10 mm ² SW CL GROUND TB FR DIN 32/35 RAIL	104.50	1	EA	50	B
CGT16N	16 mm ² SCREW CLAMP GROUND TERMINAL BLOCK	115.00	1	EA	50	B
CGT35U	35 mm ² SW CL GROUND TB FR DIN 32/35 RAIL	248.10	1	EA	20	B
CGT4N	4 mm ² SCREW CLAMP GROUND TERMINAL BLOCK	69.00	1	EA	50	B
CGT4U	4 mm ² SW CL GROUND TB FR DIN 32/35 RAIL	72.40	1	EA	50	B
CGT50/70N	70 mm ² SCREW CLAMP GROUND TERMINAL BLK	599.00	1	EA	20	B

Part #	Description	List Price in ₹	Per	UOM	Std. Pack	Group
CGT6N	6 mm ² SCREW CLAMP GROUND TERMINAL BLOCK	82.90	1	EA	50	B
CHV10U	10 mm ² FD THRU HIGH VOLTAGE SCREW CL TB	31.20	1	EA	50	A
CHV4U	4 mm ² FD THRU HIGH VOLTAGE SCREW CL TB	23.10	1	EA	50	A
CHV4UGN	4 mm ² FD THRU HIGH VOLTAGE SC CL TB GRN	25.60	1	EA	50	A
CHV6U	6 mm ² FD THRU HIGH VOLTAGE SCREW CL TB	26.60	1	EA	50	A
CIP	ISOLATION PLUG ASSEMBLY FOR CCC4U/CXCC4	26.70	1	EA	50	B
CKT4SP	4 mm ² KNIF DISCON TEST SOCKET SP SW CL TB	63.60	1	EA	50	B
CKT4SPBK	4 mm ² KNIFE DISCONNECT SCREW CLMP TB BLK	73.20	1	EA	50	B
CKT4SPBU	4 mm ² KNIFE DISCONNECT SCREW CLAMP TB BU	73.20	1	EA	50	B
CKT4SPSC	4 mm ² KNIFE DISCON SPRING LOADED SW CL TB	76.30	1	EA	50	B
CKT4SPY	4 mm ² KNIFE DISCONNECT SCREW CLMP TB YLW	73.20	1	EA	50	B
CKT4U	4 mm ² KNIFE DISCON TEST SOCKET SW CL TB	39.90	1	EA	50	B
CKT4U/4	4 mm ² 4 WIRE KNIFE DISCON SCREW CL TB	70.50	1	EA	50	B
CKT4U/S	4 mm ² KNIFE DISCON SLOTTED SCREW CL TB	39.20	1	EA	50	B
CKT4U/SBU	4mm ² KNIFE DISCON SLOTTED SCRW CL TB BLU	43.10	1	EA	50	B
CKT4UBU	4 mm ² KNIFE DISCONNECT SCREW CL TB BLU	43.80	1	EA	50	B
CKT4UD1	4 mm ² 2 WIRE KNIFE DISCON SW CL DIODE TB	56.80	1	EA	50	B
CKT4UD2	4 mm ² 2 WIRE KNIFE DISCON SW CL DIODE TB	56.80	1	EA	50	B
CKT4UD2	4 mm ² 2 WIRE KNIFE DISCON SW CL DIODE TB	56.80	1	EA	50	B
CKT4UR	4 mm ² KNIFE DISCON TEST SOC SW CL TB RED	43.80	1	EA	50	B
CKT4UY	4 mm ² KNIFE DISCON TEST SOC SW CL TB YLW	43.80	1	EA	50	B
CKT6U	6 mm ² KNIFE DISCON TEST SOCKET SW CL TB	75.10	1	EA	50	B
CLP35/2	35 mm ² FD THRU 3 WIRE SCREW CLMP TB	179.10	1	EA	20	A
CM1.5S	1.5 mm ² PANEL MOUNT SPRING CLMP 2 WRE TB	6.90	1	EA	100	A
CM1.5S2	1.5 mm ² PANEL MOUNT SPRING CLMP 4 WRE TB	11.90	1	EA	100	A
CM1.5S2BK	1.5 mm ² PANEL MOUNT SP CL 4 WRE BLACK	13.00	1	EA	100	A
CM1.5S2BU	1.5 mm ² PANEL MOUNT SPRING CLMP 2 WRE TB	13.00	1	EA	100	A
CM1.5S2O	1.5 mm ² PANEL MOUNT SP CL 4 WRE ORANGE	13.00	1	EA	100	A
CM1.5S2R	1.5 mm ² PANEL MOUNT SP CL 4 WRE RED	13.00	1	EA	100	A
CM1.5S2Y	1.5 mm ² PANEL MOUNT SP CL 4 WRE YELLOW	13.00	1	EA	100	A
CM1.5S2YG	1.5 mm ² PANEL MOUNT SP CL 4W TB YLW GRN	13.00	1	EA	100	A
CM1.5SBK	1.5 mm ² PANEL MOUNT SP CL 2 WRE TB BLK	7.50	1	EA	100	A
CM1.5SBU	1.5 mm ² PANEL MOUNT SP CL 2 WRE TB BLU	7.50	1	EA	100	A
CM1.5SGN	1.5 mm ² PANEL MOUNT SP CL 2 WIRE GREEN	7.50	1	EA	100	A
CM1.5SO	1.5 mm ² PANEL MOUNT SP CL 2 WRE TB ORG	7.50	1	EA	500	A
CM1.5SR	1.5 mm ² PANEL MOUNT SP CL 2 WRE TB RED	7.50	1	EA	100	A
CM1.5SY	1.5 mm ² PANEL MOUNT SP CL 2 WRE TB YLW	7.50	1	EA	100	A
CM1.5SYG	1.5 mm ² PANEL MOUNT SP CL 2W TB YLW GRN	7.50	1	EA	100	A
CM2.5S	2.5 mm ² PANEL MOUNT SPRING CLMP 2 WRE TB	8.00	1	EA	100	A
CM2.5S2	2.5 mm ² PANEL MOUNT SPRING CLMP 4 WRE TB	15.00	1	EA	100	A
CM2.5S2BK	2.5 mm ² PANEL MOUNT SP CL 4 WRE TB BLK	16.50	1	EA	100	A
CM2.5S2BU	2.5 mm ² PANEL MOUNT SP CL 4 WRE TB BLU	16.50	1	EA	100	A
CM2.5S2GN	2.5 mm ² PANEL MOUNT SP CL 4 WRE TB GRN	16.50	1	EA	100	A
CM2.5S2O	2.5 mm ² PANEL MOUNT SP CL 4 WIRE TB ORG	16.50	1	EA	100	A
CM2.5S2R	2.5 mm ² PANEL MOUNT SPG CLMP 4WRE TB RED	16.50	1	EA	100	A
CM2.5S2W	2.5 mm ² PANEL MOUNT SP CL 4 WRE TB WHT	16.50	1	EA	100	A
CM2.5S2Y	2.5 mm ² PANEL MOUNT SP CL 4 WRE TB YLW	16.50	1	EA	100	A
CM2.5S2YG	2.5 mm ² PANEL MOUNT SP CL 4W TB YLW GRN	16.50	1	EA	100	A
CM2.5SBK	2.5 mm ² PANEL MOUNT SP CL 2 WRE TB BLK	8.80	1	EA	100	A
CM2.5SBU	2.5 mm ² PANEL MOUNT SP CL 2 WRE TB BLU	8.80	1	EA	100	A
CM2.5SGN	2.5 mm ² PANEL MOUNT SP CL 2 WRE TB GRN	8.80	1	EA	100	A

Part #	Description	List Price in ₹	Per	UOM	Std. Pack	Group
CM2.5SO	2.5 mm ² PANEL MOUNT SP CL 2 WRE TB ORG	8.80	1	EA	500	A
CM2.5SR	2.5 mm ² PANEL MOUNT SPG CLMP 2WRE TB RED	8.80	1	EA	100	A
CM2.5SY	2.5 mm ² PANEL MOUNT SP CL 2 WRE TB YLW	8.80	1	EA	100	A
CM2.5SYG	2.5 mm ² PANEL MOUNT SP CL 2W TB YLW GRN	8.80	1	EA	100	A
CM4S	4mm ² PANEL MOUNT SP CL SIDE ENTRY 2W TB	13.20	1	EA	100	A
CM4S2	4mm ² PANEL MOUNT SP CL SIDE ENTRY 4W TB	23.90	1	EA	100	A
CM4S2BK	4mm ² PANEL MOUNT SP CL SIDE ENTRY TB BLK	26.20	1	EA	100	A
CM4S2BU	4mm ² PANEL MOUNT SP CL SIDE ENTRY TB BLU	26.20	1	EA	100	A
CM4S2O	4mm ² PANEL MOUNT SP CL SIDE ENTRY TB ORG	26.20	1	EA	100	A
CM4S2R	4mm ² PANEL MOUNT SP CL SIDE ENTRY TB RED	26.20	1	EA	100	A
CM4S2Y	4mm ² PANEL MOUNT SP CL SIDE ENTRY TB YLW	26.20	1	EA	100	A
CM4S2YG	4mm ² PANEL MOUNT SP CL 4W TB YLW GRN	26.20	1	EA	100	A
CM4SBK	4mm ² PANEL MOUNT SP CL SIDE ENTRY TB BLK	14.50	1	EA	100	A
CM4SBU	4mm ² PANEL MOUNT SP CL SIDE ENTRY TB BLU	14.50	1	EA	100	A
CM4SGN	4mm ² PANEL MOUNT SP CL SIDE ENTRY TB GRN	14.50	1	EA	100	A
CM4SO	4mm ² PANEL MOUNT SP CL SIDE ENTRY TB ORG	14.50	1	EA	100	A
CM4SR	4mm ² PANEL MOUNT SP CL SIDE ENTRY TB RED	14.50	1	EA	100	A
CM4SY	4mm ² PANEL MOUNT SP CL SIDE ENTRY TB YLW	14.50	1	EA	100	A
CM4SYG	4mm ² PANEL MOUNT SP CL 2W TB YLW GRN	14.50	1	EA	100	A
CM4USC	4 mm ² FEED THRU SPRING LOADED TERMINAL	22.20	1	EA	100	B
CM4USCBU	4 mm ² FEED THRU SPRING LOADED TB BLUE	24.30	1	EA	100	B
CMB4	4 mm ² PANEL MOUNT SCREW CLAMP TERMINAL	12.50	1	EA	100	B
CMB4/10	4 mm ² PANEL MOUNT 10POLE SCREW CLAMP TB	150.00	1	EA	50	B
CMB4/12	4 mm ² PANEL MOUNT 12POLE SCREW CLAMP TB	181.20	1	EA	50	B
CMB4/2	4 mm ² PANEL MOUNT 2POLE SCREW CLAMP TB	31.20	1	EA	100	B
CMB4/3	4 mm ² PANEL MOUNT 3POLE SCREW CLAMP TB	50.00	1	EA	100	B
CMB4/4	4 mm ² PANEL MOUNT 4POLE SCREW CLAMP TB	62.50	1	EA	50	B
CMB4/6	4 mm ² PANEL MOUNT 6POLE SCREW CLAMP TB	90.00	1	EA	50	B
CMB4/7	4 mm ² PANEL MOUNT 7POLE SCREW CLAMP TB	106.20	1	EA	50	B
CMB4/8	4 mm ² PANEL MOUNT 8POLE SCREW CLAMP TB	125.00	1	EA	50	B
CMB4BG	4 mm ² PANEL MOUNT SCREW CLAMP TB BEIGE	13.70	1	EA	500	B
CMB4BK	4 mm ² PANEL MOUNT SCREW CLAMP TB BLACK	13.70	1	EA	100	B
CMB4BR	4 mm ² PANEL MOUNT SCREW CLAMP TB BROWN	13.70	1	EA	500	B
CMB4BU	4 mm ² PANEL MOUNT SCREW CLAMP TB BLUE	13.70	1	EA	100	B
CMB4CR	4mm ² PANEL MOUNT SCRW CLMP TB (CORR RES)	37.00	1	EA	100	B
CMB4GN	4 mm ² PANEL MOUNT SCREW CLAMP TB GREEN	13.70	1	EA	100	B
CMB4O	4 mm ² PANEL MOUNT SCREW CLAMP TB ORANGE	13.70	1	EA	500	B
CMB4R	4 mm ² PANEL MOUNT SCREW CLAMP TB RED	13.70	1	EA	100	B
CMB4W	4 mm ² PANEL MOUNT SCREW CLAMP TB WHT	13.70	1	EA	500	B
CMB4Y	4 mm ² PANEL MOUNT SCREW CLAMP TB YELLOW	13.70	1	EA	100	B
CMC1-2	4 mm ² MULTI CONNECTION 3 WIRE TERMINAL	26.10	1	EA	100	B
CMC1-2BK	4 mm ² MULTI CONNECTION 3 WIRE TB BLACK	28.70	1	EA	100	B
CMC1-2BU	4 mm ² MULTI CONNECTION 3 WIRE TB BLUE	28.70	1	EA	100	B
CMC1-2GN	4 mm ² MULTI CONNECTION 3 WIRE TB GREEN	28.70	1	EA	100	B
CMC1-2O	4 mm ² MULTI CONNECTION 3 WIRE TB ORG	28.70	1	EA	500	B
CMC1-2R	4 mm ² MULTI CONNECTION 3 WIRE TB RED	28.70	1	EA	100	B
CMC1-2W	4 mm ² MULTI CONNECTION 3 WIRE TB WHT	28.70	1	EA	500	B
CMC1-2Y	4 mm ² MULTI CONNECTION 3 WIRE TB YELLOW	28.70	1	EA	100	B
CMC2-2	4 mm ² MULTI CONNECTION 4 WIRE TERMINAL	36.60	1	EA	50	B
CMC2-2BG	4 mm ² MULTI CONNECTION 4 WIRE TB BGE	40.20	1	EA	50	B
CMC2-2BK	4 mm ² MULTI CONNECTION 4 WIRE TB BLACK	40.20	1	EA	50	B

Part #	Description	List Price in ₹	Per	UOM	Std. Pack	Group
CMC2-2BR	4 mm ² MULTI CONNECTION 4 WIRE TB BRN	40.20	1	EA	50	B
CMC2-2BU	4 mm ² MULTI CONNECTION 4 WIRE TB BLUE	40.20	1	EA	50	B
CMC2-2GN	4 mm ² MULTI CONNECTION 4 WIRE TB GREEN	40.20	1	EA	50	B
CMC2-2O	4 mm ² MULTI CONNECTION 4 WIRE TB ORG	40.20	1	EA	250	B
CMC2-2R	4 mm ² MULTI CONNECTION 4 WIRE TB RED	40.20	1	EA	50	B
CMC2-2W	4 mm ² MULTI CONNECTION 4 WIRE TB WHT	40.20	1	EA	250	B
CMC2-2Y	4 mm ² MULTI CONNECTION 4 WIRE TB YELLOW	40.20	1	EA	50	B
CMCG4	4 mm ² MULTI CONNECTION 4 WIRE GROUND TB	115.70	1	EA	50	B
CMDB10/10	20 X 10 mm ² DISTRIBUTION BLOCK	295.50	1	EA	5	B
CMDB10/10BK	20 X 10 mm ² DISTRIBUTION BLOCK BLACK	325.00	1	EA	5	B
CMDB10/10BU	20 X 10 mm ² DISTRIBUTION BLOCK BLUE	325.00	1	EA	5	B
CMDB10/10R	20 X 10 mm ² DISTRIBUTION BLOCK RED	325.00	1	EA	5	B
CMDB10/10Y	20 X 10 mm ² DISTRIBUTION BLOCK YELLOW	325.00	1	EA	5	B
CMDB10/2	4 X 10 mm ² DISTRIBUTION BLOCK	65.00	1	EA	10	B
CMDB10/2BU	4 X 10 mm ² DISTRIBUTION BLOCK BLUE	71.50	1	EA	10	B
CMDB10/2R	4 X 10 mm ² DISTRIBUTION BLOCK RED	71.50	1	EA	10	B
CMDB10/2Y	4 X 10 mm ² DISTRIBUTION BLOCK YELLOW	71.50	1	EA	10	B
CMDB10/3	6 X 10 mm ² DISTRIBUTION BLOCK	84.80	1	EA	10	B
CMDB10/3BK	6 X 10 mm ² DISTRIBUTION BLOCK BLACK	93.20	1	EA	10	B
CMDB10/3BU	6 X 10 mm ² DISTRIBUTION BLOCK BLUE	93.20	1	EA	10	B
CMDB10/3R	6 X 10 mm ² DISTRIBUTION BLOCK RED	93.20	1	EA	10	B
CMDB10/3Y	6 X 10 mm ² DISTRIBUTION BLOCK YELLOW	93.20	1	EA	10	B
CMDB10/4	8 X 10 mm ² DISTRIBUTION BLOCK	111.30	1	EA	5	B
CMDB10/4BK	8 X 10 mm ² DISTRIBUTION BLOCK BLACK	122.40	1	EA	5	B
CMDB10/4BU	8 X 10 mm ² DISTRIBUTION BLOCK BLUE	122.40	1	EA	5	B
CMDB10/4R	8 X 10 mm ² DISTRIBUTION BLOCK RED	122.40	1	EA	5	B
CMDB10/4Y	8 X 10 mm ² DISTRIBUTION BLOCK YELLOW	122.40	1	EA	5	B
CMDB10/8	16 X 10 mm ² DISTRIBUTION BLOCK	225.00	1	EA	5	B
CMDB10/8R	16 X 10 mm ² DISTRIBUTION BLOCK RED	247.50	1	EA	5	B
CMDB12	12WAY I/P 10mm ² X2 NOS O/P 4MM ² X10 NOS DB	286.00	1	EA	5	B
CMDB25/10	20 X 25 mm ² DISTRIBUTION BLOCK	644.00	1	EA	5	B
CMDB25/2	4 X 25 mm ² DISTRIBUTION BLOCK	139.20	1	EA	10	B
CMDB25/2BK	4 X 25 mm ² DISTRIBUTION BLOCK BLACK	153.10	1	EA	10	B
CMDB25/2BU	4 X 25 mm ² DISTRIBUTION BLOCK BLUE	153.10	1	EA	10	B
CMDB25/2R	4 X 25 mm ² DISTRIBUTION BLOCK RED	153.10	1	EA	10	B
CMDB25/2Y	4 X 25 mm ² DISTRIBUTION BLOCK YELLOW	153.10	1	EA	10	B
CMDB25/3	6 X 25 mm ² DISTRIBUTION BLOCK	192.10	1	EA	10	B
CMDB25/3BK	6 X 25 mm ² DISTRIBUTION BLOCK BLACK	211.30	1	EA	10	B
CMDB25/3BU	6 X 25 mm ² DISTRIBUTION BLOCK BLUE	211.30	1	EA	10	B
CMDB25/3R	6 X 25 mm ² DISTRIBUTION BLOCK RED	211.30	1	EA	10	B
CMDB25/3Y	6 X 25 mm ² DISTRIBUTION BLOCK YELLOW	211.30	1	EA	10	B
CMDB25/4	8 X 25 mm ² DISTRIBUTION BLOCK	250.10	1	EA	10	B
CMDB25/4BK	8 X 25 mm ² DISTRIBUTION BLOCK BLACK	275.10	1	EA	5	B
CMDB25/4BU	8 X 25 mm ² DISTRIBUTION BLOCK BLUE	275.10	1	EA	10	B
CMDB25/4R	8 X 25 mm ² DISTRIBUTION BLOCK RED	275.10	1	EA	10	B
CMDB25/4Y	8 X 25 mm ² DISTRIBUTION BLOCK YELLOW	275.10	1	EA	10	B
CMDB4/10	20 X 4 mm ² DISTRIBUTION BLOCK	191.40	1	EA	10	B
CMDB4/10BK	20 X 4 mm ² DISTRIBUTION BLOCK BLACK	228.60	1	EA	10	B
CMDB4/10BU	20 X 4 mm ² DISTRIBUTION BLOCK BLUE	228.60	1	EA	10	B
CMDB4/10GN	20 X 4 MM ² DISTRIBUTION BLOCK GREEN	228.60	1	EA	10	B
CMDB4/10O	20 X 4 MM ² DISTRIBUTION BLOCK ORANGE	228.60	1	EA	10	B

Part #	Description	List Price in ₹	Per	UOM	Std. Pack	Group
CMDB4/10R	20 X 4 mm ² DISTRIBUTION BLOCK RED	228.60	1	EA	10	B
CMDB4/10W	20 X 4 mm ² DISTRIBUTION BLOCK WHITE	228.60	1	EA	10	B
CMDB4/10Y	20 X 4 mm ² DISTRIBUTION BLOCK YELLOW	228.60	1	EA	10	B
CMDB4/2	4 X 4 mm ² DISTRIBUTION BLOCK	46.20	1	EA	10	B
CMDB4/2BK	4 X 4 mm ² DISTRIBUTION BLOCK BLACK	50.80	1	EA	10	B
CMDB4/2BU	4 X 4 mm ² DISTRIBUTION BLOCK BLUE	50.80	1	EA	10	B
CMDB4/2GN	4 X 4 mm ² DISTRIBUTION BLOCK GREEN	50.80	1	EA	10	B
CMDB4/2R	4 X 4 mm ² DISTRIBUTION BLOCK RED	50.80	1	EA	10	B
CMDB4/2Y	4 X 4 mm ² DISTRIBUTION BLOCK YELLOW	50.80	1	EA	10	B
CMDB4/3	6 X 4 mm ² DISTRIBUTION BLOCK	66.00	1	EA	10	B
CMDB4/3BK	6 X 4 mm ² DISTRIBUTION BLOCK BLACK	72.60	1	EA	10	B
CMDB4/3BU	6 X 4 mm ² DISTRIBUTION BLOCK BLUE	72.60	1	EA	10	B
CMDB4/3R	6 X 4 mm ² DISTRIBUTION BLOCK RED	72.60	1	EA	10	B
CMDB4/3Y	6 X 4 mm ² DISTRIBUTION BLOCK YELLOW	72.60	1	EA	10	B
CMDB4/4	8 X 4 mm ² DISTRIBUTION BLOCK	82.50	1	EA	10	B
CMDB4/4BG	8 X 4 mm ² DISTRIBUTION BLOCK BEIGE	90.70	1	EA	50	B
CMDB4/4BK	8 X 4 mm ² DISTRIBUTION BLOCK BLACK	90.70	1	EA	10	B
CMDB4/4BU	8 X 4 mm ² DISTRIBUTION BLOCK BLUE	90.70	1	EA	10	B
CMDB4/4GN	8 X 4 mm ² DISTRIBUTION BLOCK GREEN	90.70	1	EA	10	B
CMDB4/4O	8 X 4 mm ² DISTRIBUTION BLOCK ORANGE	90.70	1	EA	50	B
CMDB4/4R	8 X 4 mm ² DISTRIBUTION BLOCK RED	90.70	1	EA	10	B
CMDB4/4W	8 X 4 mm ² DISTRIBUTION BLOCK WHITE	90.70	1	EA	50	B
CMDB4/4Y	8 X 4 mm ² DISTRIBUTION BLOCK YELLOW	90.70	1	EA	10	B
CMDB4/6	12 X 4 mm ² DISTRIBUTION BLOCK	125.40	1	EA	5	B
CMDB4/6BK	12 X 4 mm ² DISTRIBUTION BLOCK BLACK	137.90	1	EA	5	B
CMDB4/6GN	12 X 4 mm ² DISTRIBUTION BLOCK GREEN	137.90	1	EA	5	B
CMDB4/6R	12 X 4 mm ² DISTRIBUTION BLOCK RED	137.90	1	EA	5	B
CMDB6/10	20 X 6 mm ² DISTRIBUTION BLOCK	247.30	1	EA	5	B
CMDB6/10BK	20 X 6 mm ² DISTRIBUTION BLOCK BLACK	272.00	1	EA	5	B
CMDB6/10BU	20 X 6 mm ² DISTRIBUTION BLOCK BLUE	272.00	1	EA	5	B
CMDB6/10GN	20 X 6 mm ² DISTRIBUTION BLOCK GREEN	272.00	1	EA	10	B
CMDB6/10R	20 X 6 mm ² DISTRIBUTION BLOCK	272.00	1	EA	5	B
CMDB6/10Y	20 X 6 mm ² DISTRIBUTION BLOCK	272.00	1	EA	5	B
CMDB6/2	4 X 6 mm ² DISTRIBUTION BLOCK	58.70	1	EA	10	B
CMDB6/2BK	4 X 6 mm ² DISTRIBUTION BLOCK BLACK	61.30	1	EA	10	B
CMDB6/2BU	4 X 6 mm ² DISTRIBUTION BLOCK BLUE	61.30	1	EA	10	B
CMDB6/2R	4 X 6 mm ² DISTRIBUTION BLOCK RED	61.30	1	EA	10	B
CMDB6/2W	4 X 6 mm ² DISTRIBUTION BLOCK WHITE	61.30	1	EA	50	B
CMDB6/2Y	4 X 6 mm ² DISTRIBUTION BLOCK YELLOW	61.30	1	EA	10	B
CMDB6/3	6 X 6 mm ² DISTRIBUTION BLOCK	77.90	1	EA	10	B
CMDB6/3BK	6 X 6 mm ² DISTRIBUTION BLOCK BLACK	85.60	1	EA	10	B
CMDB6/3BU	6 X 6 mm ² DISTRIBUTION BLOCK BLUE	85.60	1	EA	10	B
CMDB6/3R	6 X 6 mm ² DISTRIBUTION BLOCK RED	85.60	1	EA	10	B
CMDB6/3Y	6 X 6 mm ² DISTRIBUTION BLOCK YELLOW	85.60	1	EA	10	B
CMDB6/4	8 X 6 mm ² DISTRIBUTION BLOCK	101.20	1	EA	5	B
CMDB6/4BK	8 X 6 mm ² DISTRIBUTION BLOCK BLACK	111.30	1	EA	5	B
CMDB6/4BU	8 X 6 mm ² DISTRIBUTION BLOCK BLUE	111.30	1	EA	10	B
CMDB6/4GN	8 X 6 mm ² DISTRIBUTION BLOCK GREEN	111.30	1	EA	10	B
CMDB6/4R	8 X 6 mm ² DISTRIBUTION BLOCK RED	111.30	1	EA	5	B
CMDB6/4Y	8 X 6 mm ² DISTRIBUTION BLOCK YELLOW	111.30	1	EA	5	B
CMDB6/6	12 X 6 mm ² DISTRIBUTION BLOCK	135.80	1	EA	10	B

Part #	Description	List Price in ₹	Per	UOM	Std. Pack	Group
CMDT4	6 mm ² M4 STUD TYP DISCONNECT MELAMINE TB	73.10	1	EA	50	C
CMDT4BK	6 mm ² M4 STUD TYP DISCON MELAMINE TB BLK	80.40	1	EA	50	C
CMDT4BU	6 mm ² M4 STUD TYP DISCON MELAMINE TB BLU	80.40	1	EA	50	C
CMDT4R	6 mm ² M4 STUD TYP DISCON MELAMINE TB RED	80.40	1	EA	50	C
CMDT4S	6 mm ² M4 STUD TYP DISCONNECT MELAMINE TB	75.90	1	EA	50	C
CMDT4SBK	6 mm ² M4 STUD TYP DISCON MELAMINE BLK	83.40	1	EA	50	C
CMDT4SBU	6 mm ² M4 STUD TYP DISCON MELAMINE BLU	83.40	1	EA	50	C
CMDT4SH	6 mm ² M4 STUD TYPE DISCON SHORTED MEL TB	165.60	1	EA	25	C
CMDT4SR	6 mm ² M4 STUD TYP DISCON MELAMINE RED	83.40	1	EA	50	C
CMDT4SY	6 mm ² M4 STUD TYP DISCON MELAMINE YLW	83.40	1	EA	50	C
CMDT4Y	6 mm ² M4 STUD TYP DISCON MELAMINE TB YLW	80.40	1	EA	50	C
CMS2.5	2.5 mm ² SPRING CL TB FOR DIN15 RAIL	12.20	1	EA	100	A
CMST1	2.5 mm ² 12 POLE STRIP MELAMINE TERMINAL	116.90	1	EA	20	B
CMST110W	2.5 mm ² 10 POLE STRIP MELAMINE TERMINAL	104.50	1	EA	20	B
CMST11W	2.5 mm ² 1 POLE STRIP MELAMINE TERMINAL	10.60	1	EA	240	A
CMST12W	2.5 mm ² 2 POLE STRIP MELAMINE TERMINAL	21.00	1	EA	120	B
CMST13W	2.5 mm ² 3 POLE STRIP MELAMINE TERMINAL	31.40	1	EA	80	B
CMST14W	2.5 mm ² 4 POLE STRIP MELAMINE TERMINAL	41.80	1	EA	60	B
CMST15W	2.5 mm ² 5 POLE STRIP MELAMINE TERMINAL	52.40	1	EA	40	B
CMST16W	2.5 mm ² 6 POLE STRIP MELAMINE TERMINAL	62.70	1	EA	40	B
CMST17W	2.5 mm ² 7 POLE STRIP MEL TERMINAL	73.20	1	EA	30	B
CMST18W	2.5 mm ² 8 POLE STRIP MELAMINE TERMINAL	83.50	1	EA	30	B
CMST19W	2.5 mm ² 9 POLE STRIP MELAMINE TERMINAL	94.10	1	EA	25	B
CMST2	2.5 mm ² 12 POLE SOLDERABLE STRIP MEL TB	116.90	1	EA	20	A
CMST210W	2.5 mm ² 10 POLE SOLDERABLE STRIP MEL TB	104.50	1	EA	20	A
CMST22W	2.5 mm ² 2 POLE SOLDERABLE STRIP MEL TB	21.00	1	EA	120	A
CMST24W	2.5 mm ² 4 POLE SOLDERABLE STRIP MEL TB	41.80	1	EA	60	A
CMST26W	2.5 mm ² 6 POLE SOLD STRIP MEL TB	62.70	1	EA	40	A
CMST28W	2.5 mm ² 8 POLE SOLDERABLE STRIP MEL TB	83.50	1	EA	30	A
CMSTPP	PARTITION PLATE FOR CMST SERIES TB	8.00	1	EA	10	B
CMT10	10 MM ² SCREW CLAMP TB FOR DIN15 RAIL	39.70	1	EA	100	A
CMT4	4 mm ² SCREW CLAMP TB FOR DIN15 RAIL	10.10	1	EA	100	B
CMT4BK	4 mm ² SCREW CLAMP TB FOR DIN15 RAIL BLK	11.10	1	EA	100	B
CMT4BR	4 mm ² SCREW CLAMP TB FOR DIN15 RAIL BRN	11.10	1	EA	500	B
CMT4BU	4 mm ² SCREW CLAMP TB FOR DIN15 RAIL BLU	11.10	1	EA	100	B
CMT4CR	MICRO FD THRU PA SCR TB GRY(CORR RES.)	27.30	1	EA	100	B
CMT4GN	4 mm ² SCREW CLAMP TB FOR DIN15 RAIL GRN	11.10	1	EA	100	B
CMT4KH	4mm ² SCREW CLAMP FOR DIN15 RAIL KHA	11.10	1	EA	500	B
CMT4O	4 mm ² SCREW CLAMP TB FOR DIN15 RAIL ORG	11.10	1	EA	500	B
CMT4R	4 mm ² SCREW CLAMP TB FOR DIN15 RAIL RED	11.10	1	EA	100	B
CMT4S	4 mm ² SCREW CLAMP TB FOR DIN15 RAIL	19.90	1	EA	50	B
CMT4W	4 mm ² SCREW CLAMP TB FOR DIN15 RAIL WHT	11.10	1	EA	500	B
CMT4Y	4 mm ² SCREW CLAMP TB FOR DIN15 RAIL YLW	11.10	1	EA	100	B
CMTB35	MOUNTING BASE SUITABLE FOR DIN35 RAIL	18.00	1	EA	50	A
CP1.5	1.5 mm ² FEED THRU PUSH IN TERMINAL BLOCK	11.90	1	EA	100	A
CP1.5/3	1.5 mm ² FEED THRU 3 WIRE PUSH IN TB	24.50	1	EA	50	A
CP1.5/3BU	1.5 mm ² FEED THRU 3 WIRE PUSH IN TB BLU	26.90	1	EA	50	A
CP1.5/4	1.5 mm ² FEED THRU 4 WIRE PUSH IN TB	27.10	1	EA	50	A
CP1.5/4BK	1.5 MM ² FEED THRU 4 WIRE PUSH IN TB BLK	29.80	1	EA	50	A
CP1.5/4BU	1.5 MM ² FEED THRU 4 WIRE PUSH IN TB BLU	29.80	1	EA	50	A
CP1.5/4R	1.5 MM ² FEED THRU 4 WIRE PUSH IN TB RED	29.80	1	EA	50	A

Part #	Description	List Price in ₹	Per	UOM	Std. Pack	Group
CP1.5/4Y	1.5 MM ² FEED THRU 4 WIRE PUSH IN TB YLW	29.80	1	EA	50	A
CP1.5BK	1.5 mm ² FEED THRU PUSH IN TB BLK	13.00	1	EA	100	A
CP1.5BU	1.5 mm ² FEED THRU PUSH IN TB BLU	13.00	1	EA	100	A
CP1.5R	1.5 mm ² FEED THRU PUSH IN TB RED	13.00	1	EA	100	A
CP2.5	2.5 mm ² FEED THRU PUSH IN TERMINAL BLOCK	12.60	1	EA	100	A
CP2.5/3	2.5mm ² FEED THRU 3 WIRE PUSH IN TB	28.70	1	EA	100	A
CP2.5/3BK	2.5mm ² PUSH IN FEED THRU 3WIRE TB BLK	31.50	1	EA	100	A
CP2.5/3BU	2.5mm ² PUSH IN FEED THRU 3WIRE TB BLU	31.50	1	EA	100	A
CP2.5/3R	2.5MM ² PUSH IN FEED THRU 3WIRE TB	31.50	1	EA	100	A
CP2.5/3Y	UD-2.5mm ² PUSH IN FEED THRU 3WIRE TB	31.50	1	EA	100	A
CP2.5/4	2.5mm ² FEED THRU 4 WIRE PUSH IN TB	30.60	1	EA	100	A
CP2.5/4BK	2.5mm ² PUSH IN FEED THRU 4WIRE TB BLK	33.60	1	EA	100	A
CP2.5/4BU	2.5mm ² PUSH IN FEED THRU 4WIRE TB BLU	33.60	1	EA	100	A
CP2.5/4GN	2.5mm ² PUSH IN FEED THRU 4WIRE TB GRN	33.60	1	EA	100	A
CP2.5/4R	2.5mm ² PUSH IN FEED THRU 4 WIRE TB RED	33.60	1	EA	100	A
CP2.5/4Y	2.5mm ² FEED THRU 4 WIRE PUSH IN TB YLW	33.60	1	EA	100	A
CP2.5BK	2.5 mm ² FEED THRU PUSH IN TB BLK	13.80	1	EA	100	A
CP2.5BU	2.5 mm ² FEED THRU PUSH IN TB BLU	13.80	1	EA	100	A
CP2.5GN	2.5 mm ² FEED THRU PUSH IN TB GRN	13.80	1	EA	100	A
CP2.5P	2.5 mm ² PUSH IN PLUG ASSLY	40.40	1	EA	50	A
CP2.5PD	2.5 mm ² DOUBLE PUSH IN PLUG ASSLY	54.90	1	EA	50	A
CP2.5PDL	2.5 mm ² DOUBLE PUSH IN PLUG LAST ELEMENT	54.90	1	EA	50	A
CP2.5PJ	2.5 mm ² PLUG ASSLY WITH SHORTING	46.60	1	EA	50	A
CP2.5PJL	2.5 mm ² PLUG ASSLY WTH SHORTING LAST ELE	46.60	1	EA	50	A
CP2.5PL	2.5 mm ² PUSH IN PLUG LAST ELEMENT	40.40	1	EA	50	A
CP2.5R	2.5 mm ² PUSH IN FEED THRU TERMINAL RED	13.80	1	EA	100	A
CP2.5Y	2.5 mm ² PUSH IN FEED THRU TERMINAL YLW	13.80	1	EA	100	A
CP4	4 mm ² FEED THRU PUSH IN TERMINAL BLOCK	21.50	1	EA	100	A
CP4/3	4 mm ² FEED THRU 3 WIRE PUSH IN TB	39.00	1	EA	50	A
CP4/3BK	4 mm ² PUSH IN FEED THRU 3 WIRE TB BLK	42.90	1	EA	50	A
CP4/3BU	4 mm ² PUSH IN FEED THRU 3 WIRE TB BLU	42.90	1	EA	50	A
CP4/3R	4 mm ² PUSH IN FEED THRU 3 WIRE TB RED	42.90	1	EA	50	A
CP4/3Y	4 mm ² PUSH IN FEED THRU 3 WIRE TB YLW	42.90	1	EA	50	A
CP4/4	4 mm ² FEED THRU 4 WIRE PUSH IN TB	45.50	1	EA	50	A
CP4/4BK	4 mm ² PUSH IN FEED THRU 4 WIRE TB BLK	50.00	1	EA	50	A
CP4/4BU	4 mm ² PUSH IN FEED THRU 4 WIRE TB BLU	50.00	1	EA	50	A
CP4/4R	4 mm ² PUSH IN FEED THRU 4 WIRE TB RED	50.00	1	EA	50	A
CP4/4Y	UD-4 mm ² PUSH IN FEED THRU 4 WIRE TB	50.00	1	EA	50	A
CP4BK	4 mm ² FEED THRU PUSH IN TB BLK	23.60	1	EA	100	A
CP4BU	4 mm ² FEED THRU PUSH IN TB BLU	23.60	1	EA	100	A
CP4LG2.5	2.5 mm ² 4 LEVEL FEED THRU + GND PUSH IN TB	425.00	1	EA	30	A
CP4R	4 mm ² FEED THRU PUSH IN TB RED	23.60	1	EA	100	A
CP4Y	4 mm ² FEED THRU PUSH IN TB YLW	23.60	1	EA	100	A
CP6/10	10 mm ² FEED THRU PUSH IN TERMINAL BLOCK	78.60	1	EA	100	A
CP6/10/3	10 mm ² FEED THRU PUSH IN 3 WIRE TB	136.30	1	EA	50	A
CP6/10/3BK	10MM ² PUSH IN FEED THRU 3 WIRE TB BLACK	149.90	1	EA	50	A
CP6/10/3BU	10mm ² PUSH IN FEED THRU 3 WIRE TB BLUE	149.90	1	EA	50	A
CP6/10/3R	UD-10mm ² PUSH IN FEED THRU 3WIRE TB	149.90	1	EA	50	A
CP6/10/3Y	UD-10mm ² PUSH IN FEED THRU 3WIRE TB	149.90	1	EA	50	A
CP6/10BK	10 mm ² FEED THRU PUSH IN TB BLACK	86.40	1	EA	100	A
CP6/10BU	10 mm ² FEED THRU PUSH IN TB BLU	86.40	1	EA	100	A

Part #	Description	List Price in ₹	Per	UOM	Std. Pack	Group
CP6/10R	10 mm ² PUSH IN FEED THRU TB RED	86.40	1	EA	100	A
CP6/10Y	10 mm ² PUSH IN FEED THRU TB YELLOW	86.40	1	EA	100	A
CP8L32	1.5 mm ² FEED THRU 8 LVL PUSH IN SP CL TB	405.50	1	EA	10	A
CP8L32(I.S)	1.5mm ² 8 LVL PUSH IN SP CLMP INT SHRT TB	547.30	1	EA	10	A
CP8L32(I.S)BK	1.5mm ² 8LVL PUSH IN SPCL INT SHRT TB BLK	602.00	1	EA	10	A
CP8L32(I.S)BU	1.5mm ² 8LVL PUSH IN SPCL INT SHRT TB BLU	602.00	1	EA	10	A
CP8L32(I.S)H	1.5mm ² 8 LVL PUSH IN SP CL INT SHRT HALF	602.00	1	EA	10	A
CP8L32(I.S)R	1.5mm ² 8LVL PUSH IN SPCL INT SHRT TB RED	602.00	1	EA	10	A
CP8L32BK	1.5 mm ² FD TH 8 LVL PUSH IN SP CL TB BLK	446.00	1	EA	10	A
CP8L32BU	1.5 mm ² FD TH 8 LVL PUSH IN SP CL TB BLU	446.00	1	EA	10	A
CPD1	DIODE PLUG FR CCC4U/CXCC4 TERMINAL BLOCK	39.90	1	EA	50	A
CPDL1.5	1.5mm ² 2 LEVEL PUSH IN SPRING CLAMP TB	30.00	1	EA	50	A
CPDL1.5(I.S)	1.5mm ² 2 LEVEL PUSH IN SP CL INT SHRT TB	40.70	1	EA	50	A
CPDL1.5BU	1.5mm ² 2 LEVEL PUSH IN SPRI CLAMP TB BLU	33.00	1	EA	50	A
CPDL2.5	2.5mm ² 2 LEVEL PUSH IN SPRING CLAMP TB	36.00	1	EA	50	A
CPDL2.5(E)D1	2.5 mm ² 2 LVL PUSH IN SP CL DIODE	109.20	1	EA	50	A
CPDL2.5(E)D2	2.5 mm ² 2 LVL PUSH IN SP CL DIODE	109.20	1	EA	50	A
CPDL2.5(E)D3	2.5 mm ² 2 LVL PUSH IN SP CL DIODE	109.20	1	EA	50	A
CPDL2.5(E)DD1	2.5 mm ² 2 LVL PUSH IN SP CL DIODE	109.20	1	EA	50	A
CPDL2.5(E)DD2	2.5 mm ² 2 LVL PUSH IN SP CL DIODE	109.20	1	EA	50	A
CPDL2.5(E)DD3	2.5 mm ² 2 LVL PUSH IN SP CL DIODE	109.20	1	EA	50	A
CPDL2.5(E)DD4	2.5 mm ² 2 LVL PUSH IN SP CL DIODE	109.20	1	EA	50	A
CPDL2.5(E)DD5	2.5 mm ² 2 LVL PUSH IN SP CL DIODE	109.20	1	EA	50	A
CPDL2.5(E)DD6	2.5 mm ² 2 LVL PUSH IN SP CL DIODE	109.20	1	EA	50	A
CPDL2.5(E)LD1240V	2.5 mm ² 2 LVL PUSH IN SP CL LED 1	109.20	1	EA	50	A
CPDL2.5(E)LD16-60V	2.5 mm ² 2 LEVEL PUSH IN SP CL LED	109.20	1	EA	50	A
CPDL2.5(I.S)	2.5mm ² 2 LEVEL PUSH IN INT SHRT SP CL TB	48.50	1	EA	50	A
CPDL2.5BK	2.5mm ² 2 LEVEL PUSH IN SPRNG CLMP TB BLK	39.60	1	EA	50	A
CPDL2.5BU	2.5mm ² 2 LEVEL PUSH IN SPRNG CLMP TB BLU	39.60	1	EA	50	A
CPDL2.5R	2.5mm ² 2 LEVEL PUSH IN SPRNG CLMP TB RED	39.60	1	EA	50	A
CPDL2.5Y	UD-2.5mm ² DBL LVL PUSH IN SPRNG CLMP	39.60	1	EA	50	A
CPDL4	4MM ² 2 LEVEL PUSH IN SPRING CLAMP TB	45.10	1	EA	50	A
CPDL4(I.S)	4MM ² 2 LEVEL PUSH IN SP CL INT SHRT TB	51.90	1	EA	50	A
CPDLF2.5	2.5mm ² 2 LEVEL PUSH IN SP CL FUSE TB	235.90	1	EA	50	A
CPDLF2.5L110-240V	2.5mm ² 2LVL PUSH IN SPCL FUSE TB 110-240V	278.80	1	EA	50	A
CPDLF2.5L6-60V	2.5mm ² 2 LVL PUSH IN SP CL FUSE TB 6-60V	278.80	1	EA	50	A
CPDLFK2.5	2.5mm ² 2LVL PUSH IN SP CL DISCON FUSE TB	253.00	1	EA	50	A
CPDLFK2.5L110-240V	2.5mm ² 2L PUSH IN SPCL DIS FUSE TB 110-240V	314.60	1	EA	50	A
CPDLFK2.5L6-60V	2.5mm ² 2L PUSH IN SPCL DIS FUSE TB 6-60V	314.60	1	EA	50	A
CPDLG1.5	1.5 mm ² FEED THRU + GND PUSH IN SP CL TB	93.20	1	EA	50	A
CPDLG1.5(I.S)	1.5mm ² GND INT SHRT PUSH IN TB	106.50	1	EA	50	A
CPDLG2.5	2.5 mm ² FEED THRU + GND PUSH IN SP CL TB	112.40	1	EA	50	A
CPDLG2.5(I.S)	2.5mm ² GND INT SHRT PUSH IN TB	140.50	1	EA	50	A
CPDLG4	4MM ² 2 LEVEL PUSH IN SPRING CLAMP GND TB	135.30	1	EA	50	A
CPDLG4(I.S)	4MM ² 2 LVL PUSH IN SP CL INT SHRT GND TB	155.70	1	EA	50	A
CPDLK2.5	2.5mm ² 4W DOUBLE LVL KNIFEDISCON SPCL	185.00	1	EA	50	A
CPDLK2.5(I.S)	2.5mm ² 4W DOUBLE LVL KNIFEDISCON IS SPCL	212.50	1	EA	50	A
CPDLKFT2.5	2.5mm ² 4W DOUBLE TOP LVL KNIFEDISCON SPC	175.50	1	EA	50	A
CPDLKFT2.5(I.S)	2.5mm ² 4W DOUBLE TOP LVL KNIFEDISCON INT SHRT SPC	203.10	1	EA	50	A
CPF	FUSE PLUG FR CCC4U/CXCC4 TERMINAL BLOCK	36.20	1	EA	50	A
CPF4	4mm ² PUSH IN FUSE TB	72.80	1	EA	50	A

Part #	Description	List Price in ₹	Per	UOM	Std. Pack	Group
CPF4BU	4mm ² PUSH IN FUSE TB BLUE	80.00	1	EA	50	A
CPF4L110-240V	4mm ² PUSH IN FUSE TB 110-240V	96.00	1	EA	50	A
CPF4L6-60V	4mm ² PUSH IN FUSE TB 6-60V	96.00	1	EA	50	A
CPFL110-240V	FUSE PLUG LED 110-240V FR CCC4U/CXCC	47.00	1	EA	50	A
CPFL6-60V	FUSE PLUG LED 6-60V FOR CCC4U/CXCC4	47.00	1	EA	50	A
CPG1.5	1.5 mm ² PUSH IN GROUND TERMINL	62.90	1	EA	100	A
CPG1.5/3	1.5 mm ² GND 3 WIRE PUSH IN TB	84.70	1	EA	50	A
CPG1.5/4	1.5 mm ² GND 4 WIRE PUSH IN TB	105.30	1	EA	50	A
CPG2.5	2.5 mm ² FEED THRU PUSH IN GROUND TERMINL	80.70	1	EA	100	A
CPG2.5/3	2.5 mm ² 3 WIRE PUSH IN GND TB	118.70	1	EA	100	A
CPG2.5/4	2.5 mm ² GND 4 WIRE PUSH IN TB	121.10	1	EA	100	A
CPG4	4 mm ² PUSH IN GROUND TERMINAL BLOCK	81.60	1	EA	100	A
CPG4/3	4 mm ² GND 3 WIRE PUSH IN TB	122.80	1	EA	50	A
CPG4/4	4 mm ² GND 4 WIRE PUSH IN TB	133.00	1	EA	50	A
CPG6/10	10 mm ² PUSH IN GROUND TERMINAL BLOCK	204.60	1	EA	100	A
CPG6/10/3	10 mm ² 3 WIRE PUSH IN GROUND TERMINAL	224.10	1	EA	50	A
CPK2.5	2.5mm ² 2 WIRE PUSH IN DISCON TB	50.10	1	EA	100	A
CPK2.5BU	2.5mm ² 2 WIRE PUSH IN DISCON TB BLU	55.10	1	EA	100	A
CPK4	4mm ² 2 WIRE PUSH IN DISCON TB	96.00	1	EA	100	A
CPPT2.5/3	2.5 mm ² 3 WIRE PUSH IN POWER TB	139.20	1	EA	50	A
CPPTG2.5/4	2.5 mm ² 4 WIRE PUSH IN POWER GND TB	215.10	1	EA	100	A
CPST1.5/3	1.5 mm ² 3 WIRE PUSH IN SENSOR TB	107.60	1	EA	50	A
CPST1.5/3L110-240V	1.5 mm ² 3 WIRE PUSH IN SENSOR TB110-240V	164.40	1	EA	50	A
CPST1.5/3L6-60V	1.5 mm ² 3 WIRE PUSH IN SENSOR TB6-60V	126.50	1	EA	50	A
CPST1.5/4	1.5 mm ² 4 WIRE PUSH IN SENSOR TB	139.20	1	EA	50	A
CPST1.5/4L110-240V	1.5 mm ² 4 WIRE PUSH IN SENSOR TB110-240V	205.60	1	EA	50	A
CPST1.5/4L6-60V	1.5 mm ² 4 WIRE PUSH IN SENSOR TB6-60V	158.20	1	EA	50	A
CPSTG1.5/4	1.5 mm ² 4 WIRE PUSH IN SENSOR GND TB	177.10	1	EA	100	A
CPSTG1.5/4L110-240	1.5 mm ² 4 WIRE PUSH IN SEN GND TB110-240	255.00	1	EA	50	A
CPSTG1.5/4L6-60V	1.5 mm ² 4 WIRE PUSH IN SEN GND TB6-60V	255.00	1	EA	50	A
CPTL2.5	2.5mm ² 3 LEVEL PUSH IN SPRING CLMP TB	93.00	1	EA	50	A
CPTL2.5(I.S)	2.5mm ² 3 LVL PUSH IN SPR CL INT SHRT TB	115.80	1	EA	50	A
CPTLG2.5	2.5mm ² FEED THRU + GND PUSH IN SP CL TB	173.30	1	EA	50	A
CPTLG2.5(I.S)	2.5mm ² GND INT SHRT PUSH IN TB	196.40	1	EA	50	A
CSB3/N3U	6mm ² M3 STUD TYP SCREW/NUT DRIVER OPERTD	30.60	1	EA	100	B
CSB3/N3UBK	6mm ² M3 STUD SCRW/NUT DRVR OPRTD BLK	33.60	1	EA	100	B
CSB3/N3UBU	6mm ² M3 STUD SCRW/NUT DRVR OPRTD BLU	33.60	1	EA	100	B
CSB3/N3UGN	6mm ² M3 STUD TYP SCRW/NUT DRIV OPRTD GRN	33.60	1	EA	100	B
CSB3/N3UL	6mm ² M3 STUD TYP SCREW/NUT DRIVER OPERTD	31.50	1	EA	100	B
CSB3/N3ULBK	6mm ² M3 STUD TYP SCRW/NUT DRVR OPRTD BLK	34.60	1	EA	100	B
CSB3/N3ULBU	6mm ² M3 STUD SCRW/NUT DRVR OPRTD BLU	34.60	1	EA	100	B
CSB3/N3ULGN	6mm ² M3 STUD SCREW/NUT DRIVER OPERTD GRN	34.60	1	EA	100	B
CSB3/N3ULR	6mm ² M3 STUD TYP SCRW/NUT DRVR OPRTD RED	34.60	1	EA	100	B
CSB3/N3ULY	6mm ² M3 STUD TYP SCRW/NUT DRVR OPRTD YLW	34.60	1	EA	100	B
CSB3/N3UO	6mm ² M3 STUD TYP SCRW/NUT DRIV OPRTD ORG	34.60	1	EA	500	B
CSB3/N3UR	6mm ² M3 STUD SCRW/NUT DRVR OPRTD RED	33.60	1	EA	100	B
CSB3/N3USH	6mm ² M3 STUD SHROUD TYP SCRW/NUT DRV OP	38.70	1	EA	100	B
CSB3/N3UY	6mm ² M3 STU SCRW/NUT DRVR OPRTD YLW	33.60	1	EA	100	B
CSB4/N4UL	10mm ² M4 STUD SCREW/NUT DRIVER OPERTD	38.00	1	EA	100	B
CSB4/N4UN	10mm ² M4 STUD SCREW/NUT DRIVER OPERTD	41.30	1	EA	100	B
CSB4/N4USH	10mm ² M4 STUD SHROUD TYP SCRW/NUT DRV OP	44.70	1	EA	100	B

Part #	Description	List Price in ₹	Per	UOM	Std. Pack	Group
CSB4/N4USHBK	10mm ² M4 STD SHR TYP SCRW/NUT DRV OP BLK	49.10	1	EA	100	B
CSB4/N4USHBU	10mm ² M4 STD SHR TYP SCRW/NUT DRV OP BLU	49.10	1	EA	100	B
CSB4/N4USHR	10mm ² M4 STD SHR TYP SCRW/NUT DRV OP RED	49.10	1	EA	100	B
CSB4/N4USHY	10mm ² M4 STD SHR TYP SCRW/NUT DRV OP YLW	49.10	1	EA	100	B
CSB5/N5U	16mm ² M4 STUD SCREW/NUT DRIVER OPRTD	46.50	1	EA	100	B
CSB5/N5UBK	16mm ² M4 STUD SCREW/NUT DRV OPRTD BLK	51.10	1	EA	100	B
CSB5/N5UBU	16mm ² M4 STUD SCREW/NUT DRV OPRTD BLU	51.10	1	EA	100	B
CSB5/N5UGN	16mm ² M4 STUD SCREW/NUT DRV OPRTD GRN	51.10	1	EA	100	B
CSB5/N5UR	16mm ² M4 STUD SCREW/NUT DRV OPRTD RED	51.10	1	EA	100	B
CSB5/N5USH	16mm ² M5 STUD SHROUD TYP SCRW/NUT DRV OP	51.00	1	EA	100	B
CSB5/N5UY	16mm ² M4 STUD SCREW/NUT DRV OPRTD YLW	51.10	1	EA	100	B
CSC16/3T	16 mm ² FEED THRU SPRING CLAMP 3 WIRE TB	151.00	1	EA	50	A
CSC16T	16 mm ² FEED THRU SPRING CLAMP TERMINAL	91.00	1	EA	50	A
CSC16TBK	16 mm ² FEED THRU SPRING CLAMP TB BLACK	100.10	1	EA	50	A
CSC16TBU	16 mm ² FEED THRU SPRING CLAMP TB BLUE	100.10	1	EA	50	A
CSC16TGN	16 mm ² FEED THRU SPRING CLAMP TB GREEN	100.10	1	EA	50	A
CSC16TR	16 mm ² FEED THRU SPRING CLAMP TB RED	100.10	1	EA	50	A
CSC16TY	16 mm ² FEED THRU SPRING CLAMP TB YELLOW	100.10	1	EA	50	A
CSCG16/3T	16 mm ² GND SPRING CLAMP 3 WIRE TB	236.60	1	EA	25	A
CSCG16T	16 mm ² FEED THRU SP CL GROUNDING TB	214.40	1	EA	50	A
CSCP2.5T	2.5 mm ² PANEL MOUNT SPRING CL 2 WIRE TB	13.40	1	EA	100	A
CSCP2.5T2	2.5 mm ² PANEL MOUNT SPRING CL 4 WIRE TB	21.40	1	EA	50	A
CSCP2.5T2BK	2.5 mm ² PANEL MOUNT SP CL 4 WIRE TB BLK	23.50	1	EA	50	A
CSCP2.5T2BR	2.5 mm ² PANEL MOUNT SP CL 4 WIRE TB BRN	23.50	1	EA	250	A
CSCP2.5T2BU	2.5 mm ² PANEL MOUNT SP CL 4 WIRE TB BLU	23.50	1	EA	50	A
CSCP2.5T2GN	2.5 mm ² PANEL MOUNT SP CL 4 WIRE TB GRN	23.50	1	EA	50	A
CSCP2.5T2R	2.5 mm ² PANEL MOUNT SP CL 4 WIRE TB RED	23.50	1	EA	50	A
CSCP2.5T2W	2.5SQ FDTHRU SP CL PMPA TBWHT4CONN	23.50	1	EA	250	A
CSCP2.5TBK	2.5 mm ² PANEL MOUNT SP CL 2 WIRE TB BLK	14.70	1	EA	100	A
CSCP2.5TBU	2.5 mm ² PANEL MOUNT SP CL 2 WIRE TB BLU	14.70	1	EA	100	A
CSCP2.5TGN	2.5 mm ² PANEL MOUNT SP CL 2 WIRE TB GRN	14.70	1	EA	100	A
CSCP2.5TO	2.5 mm ² PANEL MOUNT SP CL 2 WIRE TB ORG	14.70	1	EA	500	A
CSCP2.5TR	2.5 mm ² PANEL MOUNT SP CL 2 WIRE TB RED	14.70	1	EA	100	A
CSCP2.5TW	2.5 mm ² PANEL MOUNT SP CL 2 WIRE TB WHT	14.70	1	EA	500	A
CSCP2.5TY	2.5 mm ² PANEL MOUNT SP CL 2 WIRE TB YLW	14.70	1	EA	100	A
CSDL4U	4 mm ² DISCONNECT SCREW CLAMP TERMINAL	60.80	1	EA	100	B
CSE5U	16mm ² M5 SCRW BARRIER TYP EARTH TERMINAL	52.70	1	EA	100	B
CSN4U	10mm ² M4 STUD TYP SCREW/NUT DRIVER OPRTD	45.00	1	EA	100	B
CSN5U	16mm ² M5 STUD TYP SCREW/NUT DRIVER OPRTD	48.20	1	EA	100	B
CSP1	MOUNTING SUPPORT FOR CTSPC WITH NUT	20.00	1	EA	100	B
CSP1-NUT	HOLDING PLATE NUT FOR CTSPC GRY	4.10	1	EA	1	B
CSP2	MOUNTING SUPPORT PLATE WITH NUT	39.90	1	EA	25	B
CSTSB3	6mm ² M3 STUD SCREW DRVR OPTD MELAMINE TB	34.70	1	EA	100	C
CSTSB3BK	6mm ² M3 STUD SCREW DRVR OPTD MEL TB BLK	38.10	1	EA	100	C
CSTSB3BU	6mm ² M3 STUD SCREW DRVR OPTD MEL TB BLU	38.10	1	EA	100	C
CSTSB3R	6mm ² M3 STUD SCREW DRVR OPTD MEL TB RED	38.10	1	EA	100	C
CSTSB3Y	6mm ² M3 STUD SCREW DRVR OPTD MEL TB YLW	38.10	1	EA	100	C
CSTSB4/N4	10mm ² M4 STUD SCREW/NUT DRVR OPTD MEL TB	44.60	1	EA	100	C
CSTSB4/N4BK	10mm ² M4 STUD SCRW/NUT DRVR OPTD MEL BLK	49.00	1	EA	100	C
CSTSB4/N4BU	10mm ² M4 STUD SCRW/NUT DRVR OPTD MEL BLU	49.00	1	EA	100	C
CSTSB4/N4R	10mm ² M4 STUD SCRW/NUT DRVR OPTD MEL RED	49.00	1	EA	100	C

Part #	Description	List Price in ₹	Per	UOM	Std. Pack	Group
CSTSB4/N4Y	10mm ² M4 STUD SCRW/NUT DRVR OPTD MEL YLW	49.00	1	EA	100	C
CSTSB4-14MM	STUD TYPE MEL TB KHA (M4 SCR & 14MM BN)	56.10	1	EA	100	C
CSTSB4-16MM	10mm ² M4 16MM STUD SCRW DRIV OPTD MEL TB	56.10	1	EA	100	C
CSTSB4N-12MM	STUD TYPE MEL TB(NEW)KHA(M4 SCR&12MM BN)	56.10	1	EA	100	C
CSTSB4NBK-12MM	10mm ² M4 STUD SCREW DRVR OPTD MEL TB BLK	61.70	1	EA	100	C
CSTSB4NBU-12MM	10mm ² M4 STUD SCREW DRVR OPTD MEL TB BLU	61.70	1	EA	100	C
CSTSB4NR-12MM	10mm ² M4 STUD SCREW DRVR OPTD MEL TB RED	61.70	1	EA	100	C
CSTSB4NY-12MM	10mm ² M4 STUD SCREW DRVR OPTD MEL TB YLW	61.70	1	EA	100	C
CSTSB5	16mm ² M5 STUD SCREW DRVR OPTD MELAMIN TB	53.20	1	EA	100	C
CSTSB5BU	16mm ² M5 STUD SCREW DRVR OPTD MEL TB BLU	58.50	1	EA	100	C
CSTSB5R	16mm ² M5 STUD SCREW DRVR OPTD MEL TB RED	58.50	1	EA	100	C
CSTSB5Y	16mm ² M5 STUD SCREW DRVR OPTD MEL TB YLW	58.50	1	EA	100	C
CSTSEP2	END PLATE FOR CSTSN4/N5/B4/B5	9.60	1	EA	50	C
CSTSEP2BK	END PLT FR CSTSN4/N5/B4/B5 BLK	10.56	1	EA	50	C
CSTSN4	10mm ² M4 STUD NUT DRVR OPTD MELAMINE TB	53.80	1	EA	100	C
CSTSN415P	10mm ² M4(15P) STUD NUT DRVR OPTD MEL TB	53.80	1	EA	100	C
CSTSN415P(SMLNUT)	10mm ² M4(15P) STUD SML NUT DRVR OPTD MEL	53.80	1	EA	100	C
CSTSN415PBU	10mm ² M4(15P) STUD NUT DRVR OPTD MEL BLU	59.10	1	EA	100	C
CSTSN415PR	10mm ² M4(15P) STUD NUT DRVR OPTD MEL RED	59.10	1	EA	100	C
CSTSN4BK	10mm ² M4 STUD NUT DRVR OPTD MEL TB BLK	59.10	1	EA	100	C
CSTSN4BU	10mm ² M4 STUD NUT DRVR OPTD MEL TB BLU	59.10	1	EA	100	C
CSTSN4R	10mm ² M4 STUD NUT DRVR OPTD MEL TB RED	59.10	1	EA	100	C
CSTSN4U	10mm ² M4 STUD NUT DRIVER OPERATED TB	42.00	1	EA	100	B
CSTSN4UBK	10mm ² M4 STUD NUT DRIVER OPTD TB BLACK	46.20	1	EA	100	B
CSTSN4UBR	10mm ² M4 STUD NUT DRIVER OPTD TB BRN	46.20	1	EA	500	B
CSTSN4UBU	10mm ² M4 STUD NUT DRIVER OPTD TB BLUE	46.20	1	EA	100	B
CSTSN4UGN	10mm ² M4 STUD NUT DRIVER OPTD TB GREEN	46.20	1	EA	100	B
CSTSN4UO	10mm ² M4 STUD NUT DRIVER OPTD TB ORG	46.20	1	EA	500	B
CSTSN4UR	10mm ² M4 STUD NUT DRIVER OPTD TB RED	46.20	1	EA	100	B
CSTSN4UY	10mm ² M4 STUD NUT DRIVER OPTD TB YLW	46.20	1	EA	100	B
CSTSN4Y	10mm ² M4 STUD NUT DRVR OPTD MEL TB YLW	59.10	1	EA	100	C
CSTSN5	16mm ² M5 STUD NUT DRVR OPTD MELAMINE TB	55.00	1	EA	100	C
CSTSN515P	16mm ² M5(15P) STUD NUT DRVR OPTD MEL TB	56.60	1	EA	100	C
CSTSN515PN	16mm ² M5(15P) STUD NUT DRVR OPTD MEL 'E'	56.20	1	EA	100	C
CSTSN5BK	16mm ² M5 STUD NUT DRVR OPTD MEL TB BLK	60.50	1	EA	100	C
CSTSN5BU	16mm ² M5 STUD NUT DRVR OPTD MEL TB BLU	60.50	1	EA	100	C
CSTSN5R	16mm ² M5 STUD NUT DRVR OPTD MEL TB RED	60.50	1	EA	100	C
CSTSN5U	16mm ² M5 STUD NUT DRIVER OPERATED TB	46.20	1	EA	100	B
CSTSN5UBK	16mm ² M5 STUD NUT DRIVER OPTD TB BLACK	50.80	1	EA	100	B
CSTSN5UBU	16mm ² M5 STUD NUT DRIVER OPTD TB BLUE	50.80	1	EA	100	B
CSTSN5UGN	16mm ² M5 STUD NUT DRIVER OPTD TB GRN	50.80	1	EA	100	B
CSTSN5UR	16mm ² M5 STUD NUT DRIVER OPTD TB RED	50.80	1	EA	100	B
CSTSN5UY	16mm ² M5 STUD NUT DRIVER OPTD TB YELLOW	50.80	1	EA	100	B
CSTSN5Y	16mm ² M5 STUD NUT DRVR OPTD MEL TB YLW	60.50	1	EA	100	C
CSTSN6	35mm ² M6 STUD NUT DRVR OPTD MELAMINE TB	76.80	1	EA	100	C
CSTSN6BK	35mm ² M6 STUD NUT DRVR OPTD MEL TB BLK	84.40	1	EA	100	C
CSTSN6BU	35mm ² M6 STUD NUT DRVR OPTD MEL TB BLU	84.40	1	EA	100	C
CSTSN6R	35mm ² M6 STUD NUT DRVR OPTD MEL TB RED	84.40	1	EA	100	C
CSTSN6U	35mm ² M6 STUD NUT DRIVER OPERATED TB	66.30	1	EA	100	B
CSTSN6UBK	35mm ² M6 STUD NUT DRIVER OPTD TB BLACK	72.90	1	EA	100	B
CSTSN6UBU	35mm ² M6 STUD NUT DRIVER OPTD TB BLUE	72.90	1	EA	100	B

Part #	Description	List Price in ₹	Per	UOM	Std. Pack	Group
CSTSN6UE	35mm ² M6 STUD TYP NUT DRIVER OPRTD	58.00	1	EA	100	B
CSTSN6UGN	35mm ² M6 STUD NUT DRIVER OPTD TB GREEN	72.90	1	EA	100	B
CSTSN6UR	35mm ² M6 STUD NUT DRIVER OPTD TB RED	72.90	1	EA	100	B
CSTSN6USH	35mm ² M6 STUD SHROUD TYP NUT DRIVER OPRT	72.70	1	EA	100	B
CSTSN6USHBK	35mm ² M6 STUD SHROUD TY NUT DRIV OPR BLK	79.90	1	EA	100	B
CSTSN6USHBU	35mm ² M6 STUD SHROUD TY NUT DRIV OPR BLU	79.90	1	EA	100	B
CSTSN6USHR	35mm ² M6 STUD SHROUD TY NUT DRIV OPR RED	79.90	1	EA	100	B
CSTSN6USHY	35mm ² M6 STUD SHROUD TY NUT DRIV OPR YLW	79.90	1	EA	100	B
CSTSN6UY	35mm ² M6 STUD NUT DRIVER OPTD TB YLW	72.90	1	EA	100	B
CSTSN6Y	35mm ² M6 STUD NUT DRVR OPTD MEL TB YLW	84.40	1	EA	100	C
CSTSPC1	PROTECTIVE COVER FOR 2nos 17mm WIDE TB	15.40	1	EA	100	B
CSTSPC1-1	PROTECTIVE COVER FOR 3nos 17mm WIDE TB	20.20	1	EA	100	B
CSTSPC1-2	PROTECTIVE COVR FR CSTSB3/B4/N4/N5 105mm	44.50	1	EA	50	B
CSTSPC1-3	PROTECTIVE COVR FR CSTSB3/B4/N4/N5 200mm	75.90	1	EA	10	B
CSTSPC1-4	PROTECTIVE COVR FR CSTSB3/B4/N4/N5 300mm	118.30	1	EA	10	B
CSTSPC1-5	PROTECTIVE COVER FOR CSTSB4/N4 100mm	43.20	1	EA	50	B
CSTSPC1-6	PROTECTIVE COVER FOR CSTSB4/N4 200mm	72.30	1	EA	10	B
CSTSPC1-7	PROTECTIVE COVER FOR CSTSB4/N4 300mm	111.30	1	EA	10	B
CSTSPC2	PROTECTIVE COVER FOR 2nos 13mm WIDE TB	15.40	1	EA	100	B
CSTSPC2-1	PROTECTIVE COVER FOR 3nos 13mm WIDE TB	20.20	1	EA	100	B
CSTSPC3	PROTECTIVE COVER FOR 2nos 10mm WIDE TB	13.90	1	EA	100	B
CSTSPC3-1	PROTECTIVE COVER FOR 3nos 10mm WIDE TB	18.10	1	EA	100	B
CSTSPC4	PROTECTIVE COVER FOR 2nos 15mm WIDE TB	16.70	1	EA	10	B
CSTSPC4-1	PROTECTIVE COVER FOR 3nos 15mm WIDE	22.50	1	EA	100	B
CSTSPPP	PARTITION PLATE FOR CSTSN4/N5/N6	19.10	1	EA	50	B
CSTSRP	END PLATE FR CSTSRN5/RN6	13.30	1	EA	50	B
CSTSRPBLK	MEL END PLT FR CSTSRN5/RN6 BLK	14.60	1	EA	50	B
CSTSRN5	16mm ² M5 STUD NUT DRVR OPTD MELAMINE TB	75.60	1	EA	50	C
CSTSRN5BK	16mm ² M5 STUD NUT DRVR OPTD MEL BLK	83.10	1	EA	50	C
CSTSRN5BU	16mm ² M5 STUD NUT DRVR OPTD MEL BLU	83.10	1	EA	50	C
CSTSRN5R	16mm ² M5 STUD NUT DRVR OPTD MEL RED	83.10	1	EA	50	C
CSTSRN5Y	16mm ² M5 STUD NUT DRVR OPTD MEL YLW	83.10	1	EA	50	C
CSTSRN6	35mm ² M6 STUD NUT DRVR OPTD MELAMINE TB	101.00	1	EA	50	C
CSTSRN6BK	35mm ² M6 STUD NUT DRVR OPTD MEL TB BLK	111.10	1	EA	50	C
CSTSRN6BU	35mm ² M6 STUD NUT DRVR OPTD MELTB BLU	111.10	1	EA	50	C
CSTSRN6R	35mm ² M6 STUD NUT DRVR OPTD MEL TB RED	111.10	1	EA	50	C
CSTSRN6Y	35mm ² M6 STUD NUT DRVR OPTD MEL TB YLW	111.10	1	EA	50	C
CTC4U	4 mm ² TAB CONNECTION TERMINAL BLOCK	29.20	1	EA	100	A
CTL2.5U	2.5 mm ² 3 LEVEL SCRW CLMP TERMINAL BLOCK	75.90	1	EA	50	B
CTL2.5U(I.S)	2.5 mm ² 3 LEVEL INTR SHRTD SCREW CLMP TB	81.90	1	EA	50	B
CTL2.5U(I.S)GN	2.5 mm ² 3 LEVEL INTR SHRTD SW CL TB GRN	90.10	1	EA	50	B
CTL2.5UBK	2.5 mm ² 3 LEVEL SCREW CLAMP TB BLACK	83.40	1	EA	50	B
CTL2.5UBR	2.5 mm ² 3 LEVEL SCREW CLAMP TB BRN	83.40	1	EA	250	B
CTL2.5UBU	2.5 mm ² 3 LEVEL SCREW CLAMP TB BLUE	83.40	1	EA	50	B
CTL2.5UED5	2.5 mm ² 3 LEVEL SCREW CLAMP DIODE D5 TB	140.00	1	EA	50	B
CTL2.5UGN	2.5 mm ² 3 LEVEL SCREW CLAMP TB GREEN	83.40	1	EA	50	B
CTL2.5UH	2.5 mm ² 3 LEVEL 4 WIRE SCREW CLAMP TB	45.60	1	EA	50	B
CTL2.5UH(I.S)	2.5 mm ² 3 LVL 4 WIRE SW CL INTR SHRTD TB	70.60	1	EA	50	B
CTL2.5UH(I.S)D2	2.5 mm ² 3LVL 4 WIRE SW CL INTR SHRTD D2	83.00	1	EA	50	B
CTL2.5UHBU	2.5 mm ² 3 LEVEL 4 WRE SCREW CLAMP TB BLU	50.10	1	EA	50	B
CTL2.5UHL110V	2.5 mm ² 3 LVL 4 WIRE SW CL LED 110V TB	78.90	1	EA	50	B

Part #	Description	List Price in ₹	Per	UOM	Std. Pack	Group
CTL2.5UHL12V	2.5 mm ² 3 LVL 4 WIRE SW CL LED 12V TB	78.90	1	EA	50	B
CTL2.5UHL24V	2.5 mm ² 3 LVL 4 WIRE SW CL LED 24V TB	78.90	1	EA	50	B
CTL2.5UL110V	2.5 mm ² 3 LEVEL SCREW CLAMP LED 110V TB	106.30	1	EA	50	B
CTL2.5UL12V	2.5 mm ² 3 LEVEL SCREW CLAMP LED 12V TB	106.30	1	EA	50	B
CTL2.5UL24V	2.5 mm ² 3 LEVEL SCREW CLAMP LED 24V TB	106.30	1	EA	50	B
CTL2.5UL48V	2.5 mm ² 3 LVL SCRW CLAMP LED 48V TB	106.30	1	EA	50	B
CTL2.5UR	2.5 mm ² 3 LEVEL SCREW CLAMP TB RED	83.40	1	EA	50	B
CTL2.5UY	2.5 mm ² 3 LEVEL SCREW CLAMP TB YELLOW	83.40	1	EA	50	B
CTLG2.5	2.5 mm ² 3 LEVEL + GROUND SCREW CLAMP TB	305.50	1	EA	20	B
CTLG2.5EMOV-275V	2.5 mm ² 3 LVL SW CL SURG SUPPR MOV 275V	416.60	1	EA	50	B
CTS10	10 mm ² FEED THRU SCREW CLAMP MELAMINE TB	23.10	1	EA	200	C
CTS10BK	10 mm ² FD THRU SW CL MELAMINE TB BLACK	25.40	1	EA	200	C
CTS10BU	10 mm ² FD THRU SW CL MELAMINE TB BLUE	25.40	1	EA	200	C
CTS10CR	10 SQ FD THRU MEL SCR TB KHA(CORR RESS)	45.00	1	EA	50	C
CTS10R	10 mm ² FD THRU SW CL MELAMINE TB RED	25.40	1	EA	200	C
CTS10SC	10 mm ² FD THRU SPRING LOADED MELAMINE TB	45.90	1	EA	100	C
CTS10U	10 mm ² FD THRU SCREW CLMP TERMINAL BLOCK	20.40	1	EA	100	B
CTS10UBG	10.0 SQ FD THRU PA SCR TB BGE	22.40	1	EA	500	B
CTS10UBK	10 mm ² FEED THRU SCREW CLAMP TB BLACK	22.40	1	EA	100	B
CTS10UBR	10.0 SQ FD THRU PA SCR TB BRN	22.40	1	EA	500	B
CTS10UBU	10 mm ² FEED THRU SCREW CLAMP TB BLUE	22.40	1	EA	100	B
CTS10UCR	10.0 SQ FD THRU PA SCR TB GRY(CORR RES.)	46.70	1	EA	100	B
CTS10UGN	10 mm ² FEED THRU SCREW CLAMP TB GREEN	22.40	1	EA	100	B
CTS10UP	10 mm ² FD THRU TB WITH PHILLIPS HEAD SCR	23.00	1	EA	100	B
CTS10UR	10 mm ² FEED THRU SCREW CLAMP TB RED	22.40	1	EA	100	B
CTS10USC	10 mm ² FEED THRU SPRING LOADED TB	38.90	1	EA	50	B
CTS10USCR	10 mm ² FEED THRU SPRING LOADED TB RED	52.90	1	EA	50	B
CTS10UW	10.0 SQ FD THRU PA SCR TB WHT	22.40	1	EA	500	B
CTS10UY	10 mm ² FEED THRU SCREW CLAMP TB YELLOW	22.40	1	EA	100	B
CTS10Y	10 mm ² FD THRU SW CL MELAMINE TB YELLOW	25.40	1	EA	200	C
CTS16	16 mm ² FEED THRU SCREW CLAMP MELAMINE TB	37.00	1	EA	100	C
CTS16BK	16 mm ² FD THRU SW CL MELAMINE TB BLACK	40.70	1	EA	100	C
CTS16BU	16 mm ² FD THRU SW CL MELAMINE TB BLUE	40.70	1	EA	100	C
CTS16R	16 mm ² FD THRU SW CL MELAMINE TB RED	40.70	1	EA	100	C
CTS16U	16 mm ² FD THRU SCREW CLMP TERMINAL BLOCK	36.50	1	EA	50	B
CTS16UBK	16 mm ² FEED THRU SCREW CLAMP TB BLACK	40.10	1	EA	50	B
CTS16UBR	16 mm ² FEED THRU SCREW CLAMP TB BROWN	40.10	1	EA	250	B
CTS16UBU	16 mm ² FEED THRU SCREW CLAMP TB BLUE	40.10	1	EA	50	B
CTS16UCR	16 mm ² FD THRU SCREW CLMP TB (CORR. RES)	69.10	1	EA	50	B
CTS16UGN	16 mm ² FEED THRU SCREW CLAMP TB GREEN	40.10	1	EA	50	B
CTS16UO	16 mm ² FEED THRU SCREW CLAMP TB ORANGE	40.10	1	EA	250	B
CTS16UR	16 mm ² FEED THRU SCREW CLAMP TB RED	40.10	1	EA	50	B
CTS16UW	16 mm ² FEED THRU SCREW CLAMP TB WHITE	40.10	1	EA	50	B
CTS16UY	16 mm ² FEED THRU SCREW CLAMP TB YELLOW	40.10	1	EA	50	B
CTS16Y	16 mm ² FD THRU SW CL MELAMINE TB YELLOW	40.70	1	EA	100	C
CTS2.5	4 mm ² FEED THRU SCREW CLAMP MELAMINE TB	14.70	1	EA	200	C
CTS2.5BK	4 mm ² FD THRU SW CL MELAMINE TB BLACK	16.10	1	EA	200	C
CTS2.5BU	4 mm ² FD THRU SW CL MELAMINE TB BLUE	16.10	1	EA	200	C
CTS2.5CR	4 mm ² FD THRU SW CL MELAMINE CORR RES	32.00	1	EA	200	C
CTS2.5R	4 mm ² FD THRU SW CL MELAMINE TB RED	16.10	1	EA	200	C
CTS2.5UE	2.5 mm ² FD THRU SCRW CLMP TERMINAL BLOCK	11.30	1	EA	100	B

Part #	Description	List Price in ₹	Per	UOM	Std. Pack	Group
CTS2.5UEBK	2.5 mm ² FEED THRU SCREW CLAMP TB BLACK	12.40	1	EA	100	B
CTS2.5UEBU	2.5 mm ² FEED THRU SCREW CLAMP TB BLUE	12.40	1	EA	100	B
CTS2.5UEGN	2.5 mm ² FEED THRU SCREW CLAMP TB GREEN	12.40	1	EA	100	B
CTS2.5UEO	2.5 SQ FD THRU PA SCR TB (6MM THICK) ORG	12.40	1	EA	500	B
CTS2.5UER	2.5 mm ² FEED THRU SCREW CLAMP TB RED	12.40	1	EA	100	B
CTS2.5UEW	2.5 SQ FD THRU PA SCR TB (6MM THICK) WHT	12.40	1	EA	500	B
CTS2.5UEY	2.5 mm ² FEED THRU SCREW CLAMP TB YELLOW	12.40	1	EA	100	B
CTS2.5UN	2.5 mm ² FEED THRU SCREW CLAMP TB	9.10	1	EA	100	B
CTS2.5UNBG	2.5 mm ² FEED THRU SCREW CLAMP TB BEIGE	10.00	1	EA	500	B
CTS2.5UNBK	2.5 mm ² FEED THRU SCREW CLAMP TB BLACK	10.00	1	EA	100	B
CTS2.5UNBR	2.5 mm ² FEED THRU SCREW CLAMP TB BROWN	10.00	1	EA	500	B
CTS2.5UNBU	2.5 mm ² FEED THRU SCREW CLAMP TB BLUE	10.00	1	EA	100	B
CTS2.5UNCR	2.5 SQ FD THRU PA SCR TB GRY(CORR RES.)	21.20	1	EA	100	B
CTS2.5UNGN	2.5 mm ² FEED THRU SCREW CLAMP TB GREEN	10.00	1	EA	100	B
CTS2.5UNKH	2.5 mm ² FEED THRU SCREW CLAMP TB KHAKI	10.00	1	EA	500	B
CTS2.5UNO	2.5 SQ FD THRU PA SCR TB ORG	10.00	1	EA	500	B
CTS2.5UNR	2.5 mm ² FEED THRU SCREW CLAMP TB RED	10.00	1	EA	100	B
CTS2.5UNW	2.5 mm ² FEED THRU SCREW CLAMP TB WHITE	10.00	1	EA	500	B
CTS2.5UNY	2.5 mm ² FEED THRU SCREW CLAMP TB YELLOW	10.00	1	EA	100	B
CTS2.5Y	4 mm ² FEED THRU SW CL MELAMINE TB YELLOW	16.10	1	EA	200	C
CTS25UN	25 mm ² FD THRU SCRW CLAMP TERMINAL BLOCK	58.30	1	EA	50	B
CTS25UNBG	25 mm ² FEED THRU SCREW CLAMP TB BEIGE	64.10	1	EA	250	B
CTS25UNBK	25 mm ² FEED THRU SCREW CLAMP TB BLACK	64.10	1	EA	50	B
CTS25UNBR	25 mm ² FEED THRU SCREW CLAMP TB BROWN	64.10	1	EA	250	B
CTS25UNBU	25 mm ² FEED THRU SCREW CLAMP TB BLUE	64.10	1	EA	50	B
CTS25UNGN	25 mm ² FEED THRU SCREW CLAMP TB GREEN	64.10	1	EA	50	B
CTS25UNO	25 mm ² FEED THRU SCREW CLAMP TB ORANGE	64.10	1	EA	250	B
CTS25UNR	25 mm ² FEED THRU SCREW CLAMP TB RED	64.10	1	EA	50	B
CTS25UNW	25 mm ² FEED THRU SCREW CLAMP TB WHITE	64.10	1	EA	250	B
CTS25UNY	25 mm ² FEED THRU SCREW CLAMP TB YELLOW	64.10	1	EA	50	B
CTS35	35 mm ² FEED THRU SCREW CLAMP MELAMINE TB	95.70	1	EA	50	C
CTS35BK	35 mm ² FEED THRU SW CL MELAMINE TB BLK	105.20	1	EA	50	C
CTS35BU	35 mm ² FEED THRU SW CL MELAMINE TB BLU	105.20	1	EA	50	C
CTS35CR	35 SQ FD THRU MEL SCR TB KHA(CORR RES.)	222.60	1	EA	50	C
CTS35L	50 mm ² FEED THRU BOLT/NUT MELAMINE TB	165.00	1	EA	10	C
CTS35LBK	50 mm ² FD THRU BOLT/NUT MELAMINE TB BLK	181.50	1	EA	10	C
CTS35LBU	50 mm ² FD THRU BOLT/NUT MELAMINE TB BLUE	181.50	1	EA	10	C
CTS35LR	50 mm ² FD THRU BOLT/NUT MELAMINE TB RED	181.50	1	EA	10	C
CTS35LS	50 mm ² FEED THRU SLTD BOLT MELAMINE TB	167.50	1	EA	10	C
CTS35LSBK	50 mm ² FD THRU SLTD BOLT MELAMINE TB BLK	184.20	1	EA	10	C
CTS35LSBU	50 mm ² FD THRU SLTD BOLT MELAMINE TB BLU	184.20	1	EA	10	C
CTS35LSR	50 mm ² FD THRU SLTD BOLT MELAMINE TB RED	184.20	1	EA	10	C
CTS35LSY	50 mm ² FD THRU SLTD BOLT MELAMINE TB YLW	184.20	1	EA	10	C
CTS35LY	50 mm ² FD THRU BOLT/NUT MELAMINE TB YLW	181.50	1	EA	10	C
CTS35R	35 mm ² FEED THRU SW CL MELAMINE TB RED	105.20	1	EA	50	C
CTS35UN	35 mm ² FD THRU SCREW CLMP TERMINAL BLOCK	79.70	1	EA	50	B
CTS35UNA	35 mm ² FEED THRU ALLEN SCREW CL TB	90.00	1	EA	50	B
CTS35UNABK	35 mm ² FEED THRU ALLEN SCREW CL TB BLK	99.00	1	EA	50	B
CTS35UNABU	35 mm ² FEED THRU ALLEN SCREW CL TB BLUE	99.00	1	EA	50	B
CTS35UNAGN	35 mm ² FEED THRU ALLEN SCREW CL TB GRN	99.00	1	EA	50	B
CTS35UNAR	35 mm ² FEED THRU ALLEN SCREW CL TB RED	99.00	1	EA	50	B

Part #	Description	List Price in ₹	Per	UOM	Std. Pack	Group
CTS35UNAY	35 mm ² FEED THRU ALLEN SCREW CL TB YLW	99.00	1	EA	50	B
CTS35UNBG	35 mm ² FEED THRU SCREW CLAMP TB BEIGE	87.60	1	EA	250	B
CTS35UNBK	35 mm ² FEED THRU SCREW CLAMP TB BLACK	87.60	1	EA	50	B
CTS35UNBR	35 mm ² FEED THRU SCREW CLAMP TB BROWN	87.60	1	EA	250	B
CTS35UNBU	35 mm ² FEED THRU SCREW CLAMP TB BLUE	87.60	1	EA	50	B
CTS35UNCR	35 mm ² FEED THRU BRASS SCREW CLAMP TB	155.80	1	EA	50	B
CTS35UNGN	35 mm ² FEED THRU SCREW CLAMP GREEN	87.60	1	EA	50	B
CTS35UNO	35 mm ² FEED THRU SCREW CLAMP TB ORANGE	87.60	1	EA	250	B
CTS35UNR	35 mm ² FEED THRU SCREW CLAMP TB RED	87.60	1	EA	50	B
CTS35UNW	35 mm ² FEED THRU SCREW CLAMP TB WHITE	87.60	1	EA	250	B
CTS35UNY	35 mm ² FEED THRU SCREW CLAMP TB YELLOW	87.60	1	EA	50	B
CTS35Y	35 mm ² FEED THRU SW CL MELAMINE TB YLW	105.20	1	EA	50	C
CTS4SC	4 mm ² FD THRU SPRING LOADED MELAMINE TB	25.50	1	EA	200	C
CTS4SCBU	4 mm ² FD THRU SPRING LOADED MELAMINE BLU	28.10	1	EA	200	C
CTS4UN	4 mm ² FD THRU SCREW CLMP TERMINAL BLOCK	11.50	1	EA	100	B
CTS4UNBG	4 mm ² FEED THRU SCREW CLAMP TB BEIGE	12.60	1	EA	500	B
CTS4UNBK	4 mm ² FEED THRU SCREW CLAMP TB BLACK	12.60	1	EA	100	B
CTS4UNBR	4 mm ² FEED THRU SCREW CLAMP TB BROWN	12.60	1	EA	500	B
CTS4UNBU	4 mm ² FEED THRU SCREW CLAMP TB BLUE	12.60	1	EA	100	B
CTS4UNCR	4.0 SQ FD THRU PA SCR TB GRY(CORR RES.)	24.90	1	EA	100	B
CTS4UNGN	4 mm ² FEED THRU SCREW CLAMP TB GREEN	12.60	1	EA	100	B
CTS4UNKH	4 mm ² FEED THRU SCREW CLAMP TB KHAKI	12.60	1	EA	500	B
CTS4UNO	4 mm ² FEED THRU SCREW CLAMP TB ORANGE	12.60	1	EA	500	B
CTS4UNR	4 mm ² FEED THRU SCREW CLAMP TB RED	12.60	1	EA	100	B
CTS4UNW	4.0 SQ FD THRU PA SCR TB WHT	12.60	1	EA	500	B
CTS4UNY	4 mm ² FEED THRU SCREW CLAMP TB YELLOW	12.60	1	EA	100	B
CTS4USC	4 mm ² FD THRU SPRNG LOADED TERMINL BLOCK	27.60	1	EA	50	B
CTS4USCBK	4 mm ² FD THRU SPRNG LOADED TERMINL BLK	30.40	1	EA	50	B
CTS4USCBU	4 mm ² FD THRU SPRNG LOADED TERMINL BLU	30.40	1	EA	50	B
CTS4USCGN	4 mm ² FD THRU SPRNG LOADED TERMINL GRN	30.40	1	EA	50	B
CTS4USCR	4 mm ² FD THRU SPRNG LOADED TERMINL RED	30.40	1	EA	50	B
CTS4USCY	4 mm ² FD THRU SPRNG LOADED TERMINL YLW	30.40	1	EA	50	B
CTS50/70N	70 mm ² FEED THRU SCREW CLAMP TERMINAL	228.70	1	EA	20	B
CTS50/70NA	70 mm ² FEED THRU ALLEN SCREW CL TERMINAL	240.50	1	EA	20	B
CTS50/70NABK	70 mm ² FEED THRU ALLEN SCREW CL TB BLK	264.50	1	EA	20	B
CTS50/70NABU	70 mm ² FEED THRU ALLEN SCREW CL TB BLUE	264.50	1	EA	20	B
CTS50/70NAGN	70 mm ² FEED THRU ALLEN SCREW CL TB GREEN	264.50	1	EA	20	B
CTS50/70NAR	70 mm ² FEED THRU ALLEN SCREW CL TB RED	264.50	1	EA	20	B
CTS50/70NAY	70 mm ² FEED THRU ALLEN SCREW CL TB YLW	264.50	1	EA	20	B
CTS50/70NBK	70 mm ² FEED THRU SCREW CLAMP TB BLACK	251.50	1	EA	20	B
CTS50/70NBU	70 mm ² FEED THRU SCREW CLAMP TB BLUE	251.50	1	EA	20	B
CTS50/70NGN	70 mm ² FEED THRU SCREW CLAMP TB GREEN	251.50	1	EA	20	B
CTS50/70NR	70 mm ² FEED THRU SCREW CLAMP TB RED	251.50	1	EA	20	B
CTS50/70NY	70 mm ² FEED THRU SCREW CLAMP TB YELLOW	251.50	1	EA	20	B
CTS6	6 mm ² FEED THRU SCREW CLAMP MELAMINE TB	17.20	1	EA	200	C
CTS6BK	6 mm ² FEED THRU SW CL MELAMINE TB BLACK	18.90	1	EA	200	C
CTS6BU	6 mm ² FEED THRU SW CL MELAMINE TB BLUE	18.90	1	EA	200	C
CTS6CR	6 SQ FD THRU MEL SCR TB KHA (CORR RES.)	44.20	1	EA	200	C
CTS6R	6 mm ² FEED THRU SW CL MELAMINE TB RED	18.90	1	EA	200	C
CTS6SC	6 mm ² FD THRU SPRING LOADED MELAMINE TB	43.00	1	EA	200	C
CTS6U	6 mm ² FEED THRU SCREW CLAMP TB	16.00	1	EA	100	B

Part #	Description	List Price in ₹	Per	UOM	Std. Pack	Group
CTS6UBG	6 mm ² FEED THRU SCREW CLAMP TB BEIGE	17.60	1	EA	500	B
CTS6UBK	6 mm ² FEED THRU SCREW CLAMP TB BLACK	17.60	1	EA	100	B
CTS6UBR	6 mm ² FEED THRU SCREW CLAMP TB BROWN	17.60	1	EA	500	B
CTS6UBU	6 mm ² FEED THRU SCREW CLAMP TB BLUE	17.60	1	EA	100	B
CTS6UCR	6.0 SQ FD THRU PA SCR TB GRY(CORR RES.)	39.50	1	EA	100	B
CTS6UGN	6 mm ² FEED THRU SCREW CLAMP TB GREEN	17.60	1	EA	100	B
CTS6UO	6.0 SQ FD THRU PA SCR TB ORG	17.60	1	EA	500	B
CTS6UR	6 mm ² FEED THRU SCREW CLAMP TB RED	17.60	1	EA	100	B
CTS6USC	6 mm ² FEED THRU SPRING LOADED TB	32.70	1	EA	50	B
CTS6UW	6 mm ² FEED THRU SCREW CLAMP TB WHITE	17.60	1	EA	500	B
CTS6UY	6 mm ² FEED THRU SCREW CLAMP TB YELLOW	17.60	1	EA	100	B
CTS6Y	6 mm ² FEED THRU SW CL MELAMINE TB YELLOW	18.90	1	EA	200	C
CTS70L	70 mm ² FEED THRU BOLT/NUT MELAMINE TB	270.00	1	EA	10	C
CTS70LBK	70 mm ² FD THRU BOLT/NUT MELAMINE TB BLK	297.00	1	EA	10	C
CTS70LBU	70 mm ² FD THRU BOLT/NUT MELAMINE TB BLUE	297.00	1	EA	10	C
CTS70LR	70 mm ² FD THRU BOLT/NUT MELAMINE TB RED	297.00	1	EA	10	C
CTS70LS	70 mm ² FEED THRU SLTD BOLT MELAMINE TB	287.70	1	EA	10	C
CTS70LSR	70 mm ² FD THRU SLTD BOLT MEL TB RED	316.50	1	EA	10	C
CTS70LSY	70 mm ² FD THRU SLTD BOLT MEL TB YLW	316.50	1	EA	10	C
CTS70LY	70 mm ² FD THRU BOLT/NUT MELAMINE TB YLW	297.00	1	EA	10	C
CTS95/120N	120 mm ² FEED THRU SCREW CLAMP TB	369.60	1	EA	10	B
CTS95/120NBK	120 mm ² FEED THRU SCREW CLAMP TB BLACK	406.50	1	EA	10	B
CTS95/120NBU	120 mm ² FEED THRU SCREW CLAMP TB BLUE	406.50	1	EA	10	B
CTS95/120NGN	120 mm ² FEED THRU SCREW CLAMP TB GREEN	406.50	1	EA	10	B
CTS95/120NR	120 mm ² FEED THRU SCREW CLAMP TB RED	406.50	1	EA	10	B
CTS95/120NY	120 mm ² FEED THRU SCREW CLAMP TB YELLOW	406.50	1	EA	10	B
CTS95L	95 mm ² FEED THRU BOLT/NUT MELAMINE TB	315.00	1	EA	10	C
CTS95LBK	95 mm ² FD THRU BOLT/NUT MELAMINE TB BLK	346.50	1	EA	10	C
CTS95LBU	95 mm ² FD THRU BOLT/NUT MELAMINE TB BLU	346.50	1	EA	10	C
CTS95LR	95 mm ² FD THRU BOLT/NUT MELAMINE TB RED	346.50	1	EA	10	C
CTS95LS	95 mm ² FEED THRU SLTD BOLT MELAMINE TB	317.70	1	EA	10	C
CTS95LY	95 mm ² FD THRU BOLT/NUT MELAMINE TB YLW	346.50	1	EA	10	C
CTSEP1	END PLATE FOR CTS2.5/6/10	6.70	1	EA	50	C
CTSEP1BK	END PLT FR CTS2.5/6/10 BLK	7.40	1	EA	50	C
CTSEP1BU	END PLT FR CTS2.5/6/10 BLU	7.40	1	EA	50	C
CTSEP1R	END PLT FR CTS2.5/6/10 RED	7.40	1	EA	50	C
CTSEP1SC	END PLATE FOR CTS10SC	13.30	1	EA	50	C
CTSEP1Y	END PLT FR CTS2.5/6/10 YLW	13.30	1	EA	50	C
CTSEP2	END PLATE FOR CTS16	13.30	1	EA	50	C
CTSEP3	END PLATE FOR CTS35	14.10	1	EA	25	C
CTSEP4	PARTITION PLATE FOR CTS35L/70L/95L	36.00	1	EA	10	C
CTSEP4LO	LOCATING SUPPORT FOR CTSEP4/EP4P	8.00	1	EA	10	C
CTSPC(100MM)	PROTECTIVE COVER FOR CSP1 100mm LONG	62.70	1	EA	50	B
CTSPC(130MM)	PROTECTIVE COVER FOR CSP1 130mm LONG	66.80	1	EA	10	B
CTSPC(150MM)	PROTECTIVE COVER FOR CSP1 150mm LONG	79.40	1	EA	10	B
CTSPC(200MM)	PROTECTIVE COVER FOR CSP1 200mm LONG	93.30	1	EA	10	B
CTSPC(300MM)	PROTECTIVE COVER FOR CSP1 300mm LONG	107.20	1	EA	10	B
CTSPC(330MM)	PROTECTIVE COVER FOR CSP1 330mm LONG	143.40	1	EA	10	B
CTSPC(40MM)	PROTECTIVE COVER FOR CSP1 40mm LONG	43.20	1	EA	50	B
CTSPC(460MM)	PROTECTIVE COVER FOR CSP1 460mm LONG	164.20	1	EA	10	B
CTSPC(90MM)	PROTECTIVE COVER FOR CSP1 90mm LONG	59.90	1	EA	50	B

Part #	Description	List Price in ₹	Per	UOM	Std. Pack	Group
CTSPC1(760MM)	PROTECTIVE COVER FOR CSP2 760mm LONG	835.00	1	EA	10	B
CTSPC2-1	PROTECTIVE COVER FR CTS35L/70L 100mm LNG	107.20	1	EA	10	B
CTSPC2-2	PROTECTIVE COVER FR CTS35L/70L 190mm LNG	175.30	1	EA	10	B
CTSPC2-3	PROTECTIVE COVER FR CTS95L/LS 130mm LONG	122.50	1	EA	10	B
CTSPC3-1	PROTECTIVE COVER FR CTS95L/LS 90mm LONG	104.50	1	EA	10	B
CTSPC3-2	PROTECTIVE COVER FR CTS35L/70L 210mm LNG	189.30	1	EA	10	B
CTSP1B	PARTITION PLATE FOR CTS2.5/6/10 BROAD	15.30	1	EA	50	C
CTSP1L	PARTITION PLATE FOR CTS2.5/6/10 LONG	14.10	1	EA	50	C
CTSP2	PARTITION PLATE FOR CTS16	23.30	1	EA	50	C
CTSP3	PARTITION PLATE FOR CTS35	26.90	1	EA	25	C
CTT2.5UE	2.5 mm ² E-TYPE THERMOCOUPLE TERMINAL	103.00	1	EA	50	A
CTT2.5UJ	2.5 mm ² J-TYPE THERMOCOUPLE TERMINAL	103.00	1	EA	50	A
CTT2.5UK	2.5 mm ² K-TYPE THERMOCOUPLE TERMINAL	78.70	1	EA	50	A
CTT2.5UT	2.5 mm ² T-TYPE THERMOCOUPLE TERMINAL	103.00	1	EA	50	A
CX10	10 mm ² FEED THRU SPRING CLAMP TERMINAL	69.00	1	EA	50	A
CX10/3	10 mm ² FEED THRU SPRING CLAMP 3 WIRE TB	118.00	1	EA	50	A
CX10/3BK	10 mm ² FEED THRU SP CLMP 3 WIRE TB BLACK	129.80	1	EA	50	A
CX10/3BU	10 mm ² FEED THRU SP CLAMP 3 WIRE TB BLUE	129.80	1	EA	50	A
CX10/3GN	10 mm ² FEED THRU SP CLAMP 3 WIRE TB GRN	129.80	1	EA	50	A
CX10/3O	10 mm ² FEED THRU SP CL 3 WIRE TB ORANGE	129.80	1	EA	250	A
CX10/3R	10 mm ² FEED THRU SP CLAMP 3 WIRE TB RED	129.80	1	EA	50	A
CX10/3Y	10 mm ² FEED THRU SP CL 3 WIRE TB YELLOW	129.80	1	EA	50	A
CX10BK	10 mm ² FEED THRU SPRING CLAMP TB BLACK	75.90	1	EA	50	A
CX10BU	10 mm ² FEED THRU SPRING CLAMP TB BLUE	75.90	1	EA	50	A
CX10GN	10 mm ² FEED THRU SPRING CLAMP TB GREEN	75.90	1	EA	50	A
CX10R	10 mm ² FEED THRU SPRING CLAMP TB RED	75.90	1	EA	50	A
CX10W	10 mm ² FEED THRU SPRING CLAMP TB WHITE	75.90	1	EA	250	A
CX10Y	10 mm ² FEED THRU SPRING CLAMP TB YELLOW	75.90	1	EA	50	A
CX2.5	2.5 mm ² FEED THRU SPRING CLAMP TERMINAL	10.90	1	EA	100	A
CX2.5/1B	2.5 mm ² PLUGABLE SPRNG CL FD THRU TB	24.70	1	EA	100	A
CX2.5/2B	2.5 mm ² PLUGABLE FEED THRU TB	23.10	1	EA	100	A
CX2.5/3	2.5 mm ² FEED THRU SPR CL 3 WIRE TB	24.90	1	EA	100	A
CX2.5/3/1B	2.5mm ² 3 WIRE 1 PLUGABLE SP CL FD THR TB	32.10	1	EA	100	A
CX2.5/3BK	2.5 mm ² FEED THRU SP CL 3 WIRE TB BLACK	27.30	1	EA	100	A
CX2.5/3BU	2.5 mm ² FEED THRU SP CL 3 WIRE TB BLUE	27.30	1	EA	100	A
CX2.5/3GN	2.5 mm ² FEED THRU SPR CL 3 WIRE TB GREEN	27.30	1	EA	100	A
CX2.5/3O	2.5 mm ² FEED THRU SP CL 3 WIRE TB ORANGE	27.30	1	EA	500	A
CX2.5/3R	2.5 mm ² FEED THRU SP CL 3 WIRE TB RED	27.30	1	EA	100	A
CX2.5/3W	2.5 mm ² FEED THRU SP CL 3 WIRE TB WHITE	27.30	1	EA	500	A
CX2.5/3Y	2.5 mm ² FEED THRU SP CL 3 WIRE TB YELLOW	27.30	1	EA	100	A
CX2.5/4	2.5 mm ² FEED THRU SPRING CLAMP 4 WIRE TB	27.00	1	EA	100	A
CX2.5/4(E)D1	2.5 mm ² FD THRU SP CL 4 WIRE DIODE D1 TB	116.30	1	EA	100	A
CX2.5/4(E)D2	2.5 mm ² FD THRU SP CL 4 WIRE DIODE D2 TB	116.30	1	EA	50	A
CX2.5/4(E)R1	2.5 mm ² FD THRU SP CL 4 WRE RESIST R1 TB	116.30	1	EA	100	A
CX2.5/4(E)R2	2.5 mm ² FD THRU SP CL 4 WRE RESIST R2 TB	116.30	1	EA	100	A
CX2.5/4(E)R3	2.5 mm ² FD THRU SP CL 4 WRE RESIST R3 TB	116.30	1	EA	100	A
CX2.5/4(E)R4	2.5 mm ² FD THRU SP CL 4 WRE RESIST R4 TB	116.30	1	EA	100	A
CX2.5/4/2B	2.5 mm ² 4 WIRE PLUGABLE SP CL TER	37.60	1	EA	100	A
CX2.5/4/4B	2.5 mm ² 4 WIRE PLUGABLE FEED THRU	31.80	1	EA	100	A
CX2.5/4BK	2.5 mm ² FEED THRU SP CL 4 WIRE TB BLACK	29.70	1	EA	100	A
CX2.5/4BR	2.5 mm ² FEED THRU SP CL 4 WIRE TB BROWN	29.70	1	EA	1	A

Part #	Description	List Price in ₹	Per	UOM	Std. Pack	Group
CX2.5/4BU	2.5 mm ² FEED THRU SP CL 4 WIRE TB BLUE	29.70	1	EA	100	A
CX2.5/4GN	2.5 mm ² FEED THRU SP CL 4 WIRE TB GREEN	29.70	1	EA	100	A
CX2.5/4O	2.5 mm ² FEED THRU SP CL 4 WIRE TB ORANGE	29.70	1	EA	100	A
CX2.5/4P	2.5mm ² DOUBLE FEED THRU SPRING CLAMP	110.20	1	EA	100	A
CX2.5/4R	2.5 mm ² FEED THRU SP CL 4 WIRE TB RED	29.70	1	EA	100	A
CX2.5/4W	2.5 mm ² FEED THRU SP CL 4 WIRE TB WHITE	29.70	1	EA	100	A
CX2.5/4Y	2.5 mm ² FEED THRU SP CL 4 WIRE TB YELLOW	29.70	1	EA	100	A
CX2.5BG	2.5 mm ² FEED THRU SP CL TERMINAL BEG	11.90	1	EA	500	A
CX2.5BK	2.5 mm ² FEED THRU SPRING CL TB BLK	11.90	1	EA	100	A
CX2.5BR	2.5 mm ² FEED THRU SP CL TERMINAL BRW	11.90	1	EA	500	A
CX2.5BU	2.5 mm ² FEED THRU SPRING CLAMP TB BLUE	11.90	1	EA	100	A
CX2.5GN	2.5 mm ² FEED THRU SP CL TERMINAL GRN	11.90	1	EA	100	A
CX2.5O	2.5 mm ² FEED THRU SP CL TERMINAL ORG	11.90	1	EA	500	A
CX2.5PLN	2.5 mm ² 1 POLE PLUG SP CL STACK END TB	28.80	1	EA	50	A
CX2.5PLNYG	2.5mm ² 1P PLUG SPCL STACK END TB YLW GRN	31.60	1	EA	100	A
CX2.5PN	2.5 mm ² 1 POLE PLUG SPRING CLAMP TB	28.80	1	EA	50	A
CX2.5PN/10	2.5 mm ² 10 POLE PLUG SPRING CLAMP TB	288.70	1	EA	25	A
CX2.5PN/12	2.5 mm ² 12 POLE PLUG SPRING CLAMP TB	346.50	1	EA	10	A
CX2.5PN/13	2.5 mm ² 13 POLE PLUG SPRING CLAMP TB	375.30	1	EA	10	A
CX2.5PN/14	UD-2.5 mm ² 14 POLE PLUG SPRING CLAMP TB	404.20	1	EA	10	A
CX2.5PN/15	2.5 mm ² 15 POLE PLUG SPRING CLAMP TB	433.10	1	EA	10	A
CX2.5PN/16	2.5 mm ² 16 POLE PLUG SPRING CLAMP TB	462.00	1	EA	10	A
CX2.5PN/2	2.5 mm ² 2 POLE PLUG SPRING CLAMP TB	57.70	1	EA	50	A
CX2.5PN/3	2.5 mm ² 3 POLE PLUG SPRING CLAMP TB	86.60	1	EA	50	A
CX2.5PN/4	2.5 mm ² 4 POLE PLUG SPRING CLAMP TB	115.50	1	EA	50	A
CX2.5PN/5	2.5 mm ² 5 POLE PLUG SPRING CLAMP TB	144.30	1	EA	50	A
CX2.5PN/6	2.5 mm ² 6 POLE PLUG SPRING CLAMP TB	173.20	1	EA	25	A
CX2.5PN/7	UD-2.5 mm ² 7 POLE PLUG SPRING CLAMP TB	202.10	1	EA	25	A
CX2.5PN/8	2.5 mm ² 8 POLE PLUG SPRING CLAMP TB	231.00	1	EA	25	A
CX2.5PN/9	UD-2.5 mm ² 9 POLE PLUG SPRING CLAMP TB	259.80	1	EA	25	A
CX2.5PNYG	2.5 mm ² 1 POLE PLUG SPRING CL TB GRN YLW	31.60	1	EA	50	A
CX2.5R	2.5 mm ² FEED THRU SPRING CL TB RED	11.90	1	EA	100	A
CX2.5SN	2.5 mm ² 1 POLE SOCKET SPRING CLAMP TB	31.80	1	EA	50	A
CX2.5SN/10	2.5 mm ² 10 POLE SOCKET SPRING CLAMP TB	317.60	1	EA	25	A
CX2.5SN/11	2.5 mm ² 11 POLE SOCKET SPRING CLAMP TB	349.40	1	EA	10	A
CX2.5SN/12	2.5 mm ² 12 POLE SOCKET SPRING CLAMP TB	381.10	1	EA	10	A
CX2.5SN/13	2.5 mm ² 13 POLE SOCKET SPRING CLAMP TB	412.90	1	EA	10	A
CX2.5SN/14	2.5 mm ² 14 POLE SOCKET SPRING CLAMP TB	444.60	1	EA	10	A
CX2.5SN/15	2.5 mm ² 15 POLE SOCKET SPRING CLAMP TB	476.40	1	EA	10	A
CX2.5SN/16	2.5 mm ² 16 POLE SOCKET SPRING CLAMP TB	508.20	1	EA	10	A
CX2.5SN/2	2.5 mm ² 2 POLE SOCKET SPRING CLAMP TB	63.50	1	EA	50	A
CX2.5SN/3	2.5 mm ² 3 POLE SOCKET SPRING CLAMP TB	95.30	1	EA	50	A
CX2.5SN/4	2.5 mm ² 4 POLE SOCKET SPRING CLAMP TB	127.00	1	EA	50	A
CX2.5SN/5	2.5 mm ² 5 POLE SOCKET SPRING CLAMP TB	158.80	1	EA	50	A
CX2.5SN/6	2.5 mm ² 6 POLE SOCKET SPRING CLAMP TB	190.50	1	EA	25	A
CX2.5SN/7	2.5 mm ² 7 POLE SOCKET SPRING CLAMP TB	222.30	1	EA	25	A
CX2.5SN/8	2.5 mm ² 8 POLE SOCKET SPRING CLAMP TB	254.10	1	EA	25	A
CX2.5SN/9	2.5 mm ² 9 POLE SOCKET SPRING CLAMP TB	285.90	1	EA	25	A
CX2.5W	2.5 mm ² FEED THRU SP CL TERMINAL WHT	11.90	1	EA	500	A
CX2.5Y	2.5 mm ² FEED THRU SPR CL TB YELLOW	11.90	1	EA	100	A
CX35	35 mm ² FEED THRU SPRING CLAMP TB GRY	320.30	1	EA	15	A

Part #	Description	List Price in ₹	Per	UOM	Std. Pack	Group
CX4	4 mm ² FEED THRU SPRING CL TERMINAL	18.60	1	EA	100	A
CX4/3	4SQ MM SP CL MODULAR TB (3 WIRE)	34.00	1	EA	50	A
CX4/3BK	4 mm ² FEED THRU SP CL 3 WIRE TB BLACK	37.40	1	EA	50	A
CX4/3BU	4SQ MM SP CL MODULAR TB (3 WIRE) BLU	37.40	1	EA	50	A
CX4/3GN	4 mm ² FEED THRU SP CL 3 WIRE TB GRN	37.40	1	EA	50	A
CX4/3R	4 mm ² FEED THRU SP CL 3 WIRE TB RED	37.40	1	EA	50	A
CX4/3Y	4 mm ² FEED THRU SP CL 3 WIRE TB YELLOW	37.40	1	EA	50	A
CX4/4	4SQ MM SP CL MODULAR TB (4 WIRE)	39.50	1	EA	50	A
CX4/4BK	4 mm ² FEED THRU SP CL 4 WIRE TB BLACK	43.40	1	EA	50	A
CX4/4BU	4SQ MM SP CL MODULAR TB (4 WIRE) BLU	43.40	1	EA	50	A
CX4/4GN	4 mm ² FEED THRU SP CL 4 WIRE TB GREEN	43.40	1	EA	50	A
CX4/4O	4 mm ² FEED THRU SP CL 4 WIRE TB ORANGE	43.40	1	EA	50	A
CX4/4R	4 mm ² FEED THRU SP CL 4 WIRE TB RED	43.40	1	EA	50	A
CX4/4W	4 mm ² FEED THRU SP CL 4 WIRE TB WHITE	43.40	1	EA	50	A
CX4/4Y	4 mm ² FEED THRU SP CL 4 WIRE TB YELLOW	43.40	1	EA	50	A
CX4BG	4 mm ² FEED THRU SPRING CL TB BEIGE	20.40	1	EA	500	A
CX4BK	4 mm ² FEED THRU SPRING CL TB BLACK	20.40	1	EA	100	A
CX4BR	4 mm ² FEED THRU SPRING CL TB BROWN	20.40	1	EA	500	A
CX4BU	4 mm ² FEED THRU SPRING CLAMP TB BLUE	20.40	1	EA	100	A
CX4GN	4 mm ² FEED THRU SPRING CL TB GREEN	20.40	1	EA	100	A
CX4O	4 mm ² FEED THRU SPRING CL TB ORANGE	20.40	1	EA	500	A
CX4R	4 mm ² FEED THRU SPRING CLAMP TB RED	20.40	1	EA	100	A
CX4W	4 mm ² FEED THRU SPRING CL TB WHITE	20.40	1	EA	500	A
CX4Y	4 mm ² FEED THRU SPRING CL TB YELLOW	20.40	1	EA	100	A
CX6	6 mm ² FEED THRU SPRING CLAMP TERMINAL	35.90	1	EA	100	A
CX6/3	6 mm ² FEED THRU SPRING CLAMP 3 WIRE TB	76.50	1	EA	50	A
CX6/3BK	6 mm ² FEED THRU SP CLMP 3 WIRE TB BLACK	84.10	1	EA	50	A
CX6/3BU	6 mm ² FEED THRU SP CL 3 WIRE TB BLUE	84.10	1	EA	50	A
CX6/3O	6 mm ² FEED THRU SP CL 3 WIRE TB ORAN	84.10	1	EA	250	A
CX6/3R	6 mm ² FEED THRU SP CLMP 3 WIRE TB RED	84.10	1	EA	50	A
CX6/3W	6 mm ² FEED THRU SP CLMP 3 WIRE TB WHITE	84.10	1	EA	1	A
CX6/3Y	6 mm ² FEED THRU SP CLMP 3 WIRE TB YELLOW	84.10	1	EA	50	A
CX6BK	6 mm ² FEED THRU SPRING CL TB BLACK	39.40	1	EA	100	A
CX6BR	6 mm ² FEED THRU SPRING CL TB BROWN	39.40	1	EA	500	A
CX6BU	6 mm ² FEED THRU SPRING CLAMP TB BLUE	39.40	1	EA	100	A
CX6GN	6 mm ² FEED THRU SPRING CLAMP TB GREEN	39.40	1	EA	100	A
CX6O	6 mm ² FEED THRU SPRING CL TB ORANGE	39.40	1	EA	100	A
CX6R	6 mm ² FEED THRU SPRING CLAMP TB RED	39.40	1	EA	100	A
CX6Y	6 mm ² FEED THRU SPRING CL TB YELLOW	39.40	1	EA	100	A
CXAF4/3	4mm ² SPRING CLAMP AUTOMOTIVE FUSE 3W TB	180.20	1	EA	50	A
CXAF4/3L24V	4mm ² SPCL AUTOMOTIVE FUSE 3W TB 24V	234.30	1	EA	50	A
CXCC2.5/4	2.5 mm ² 4 WIRE COMPONENT CARRIER TB	75.10	1	EA	100	A
CXCC4	4mm ² COMPONENT CARRIER SPRING CLAMP TB	75.60	1	EA	50	A
CXCC4/3	4 mm ² 3 WIRE COMPONENT CARRIER SP CL TB	86.50	1	EA	50	A
CXCP2.5/4	2.5mm ² FD THRU SPCL 4W MICRO TB FR DIN35	18.00	1	EA	100	A
CXCP2.5/4BK	UD-2.5mm ² FD THRU SPCL 4W MICRO TB DI	19.80	1	EA	100	A
CXCP2.5/4GN	UD-2.5mm ² FD THRU SPCL 4W MICRO TB DI	19.80	1	EA	100	A
CXCP2.5/4R	UD-2.5mm ² FD THRU SPCL 4W MICRO TB DI	19.80	1	EA	100	A
CXCP2.5/4Y	UD-2.5mm ² FD THRU SPCL 4W MICRO TB DI	19.80	1	EA	100	A
CXDB35/10	1X35mm ² I/P 4X10mm ² O/P HYBRID TERMINAL	190.50	1	EA	20	A
CXDB35/10A	1X35mm ² I/P 4X10mm ² O/P HYBRID ALLEN TB	211.70	1	EA	20	A

Part #	Description	List Price in ₹	Per	UOM	Std. Pack	Group
CXDIN	MOUNTING FEET FOR CX2.5P TERMINAL BLOCK	9.30	1	EA	25	A
CXDL2.5	2.5 mm ² 2 LEVEL SPRING CLAMP TERMINAL	31.20	1	EA	50	A
CXDL2.5(E)D1	2.5 mm ² 2 LEVEL SPRING CLAMP DIODE D1 TB	101.80	1	EA	50	A
CXDL2.5(E)D2	2.5 mm ² 2 LEVEL SPRING CLAMP DIODE D2 TB	101.80	1	EA	50	A
CXDL2.5(E)D3	2.5 mm ² 2 LEVEL SPRING CLAMP DIODE D3 TB	101.80	1	EA	50	A
CXDL2.5(E)DD1	2.5 mm ² 2 LEVEL SPRING CL DIODE DD1 TB	101.80	1	EA	50	A
CXDL2.5(E)DD1BG	2.5mm ² 2 LEVEL SPRNG CL DIODE DD1 TB BGE	112.00	1	EA	50	A
CXDL2.5(E)DD2	2.5 mm ² 2 LEVEL SPRING CL DIODE DD2 TB	101.80	1	EA	50	A
CXDL2.5(E)DD2BG	2.5mm ² 2 LEVEL SPRNG CL DIODE DD2 TB BGE	112.00	1	EA	50	A
CXDL2.5(E)DD3	2.5 mm ² 2 LEVEL SPRING CL DIODE DD3 TB	101.80	1	EA	50	A
CXDL2.5(E)DD4	2.5 SQ.MM TERMINAL BLOCKS WITH DIODE CIR	101.80	1	EA	50	A
CXDL2.5(E)DD5	UD-2.5 mm ² 2 LEVEL SPRING CL DIODE D	101.80	1	EA	50	A
CXDL2.5(E)DD6	UD-2.5 mm ² 2 LEVEL SPRING CL DIODE D	101.80	1	EA	50	A
CXDL2.5(E)LD16-60V	2.5 mm ² 2 LEVEL SPRING CLAMP LED 6-60V	101.80	1	EA	50	A
CXDL2.5(I.S)	2.5 mm ² 2 LVL SPRING CLAMP INT SHRTD TB	42.10	1	EA	50	A
CXDL2.5(I.S)BG	2.5 mm ² 2 LVL SP CL INT SHTD TB BGE	46.30	1	EA	50	A
CXDL2.5(I.S)BK	2.5 mm ² 2 LVL SP CL INT SHTD TB BLK	46.30	1	EA	50	A
CXDL2.5(I.S)BU	2.5 mm ² 2 LVL SP CL INT SHTD TB BLU	46.30	1	EA	50	A
CXDL2.5(I.S)GN	2.5 mm ² 2 LVL SP CL INT SHTD TB GRN	46.30	1	EA	50	A
CXDL2.5(I.S)O	2.5 mm ² 2 LVL SP CL INT SHTD TB ORG	46.30	1	EA	250	A
CXDL2.5(I.S)R	2.5 mm ² 2 LVL SP CL INT SHTD TB RED	46.30	1	EA	50	A
CXDL2.5(I.S)W	2.5 mm ² 2 LVL SP CL INT SHTD TB WHT	46.30	1	EA	50	A
CXDL2.5(I.S)Y	2.5 mm ² 2 LVL SP CL INT SHTD TB YLW	46.30	1	EA	50	A
CXDL2.5/2B	2.5 mm ² 2 LEVEL PLUGABLE SP CL TB	58.80	1	EA	50	A
CXDL2.5/2B(I.S)	2.5mm ² 2 LVL PLUGABLE SP CL INT S	85.30	1	EA	50	A
CXDL2.5BG	2.5 mm ² 2 LEVEL SPRNG CLMP TERMINAL BGE	34.30	1	EA	50	A
CXDL2.5BK	2.5 mm ² 2 LVL SPNG CL TERMINAL BLACK	34.30	1	EA	50	A
CXDL2.5BU	2.5 mm ² 2 LVL SPRNG CL TERMINAL BLUE	34.30	1	EA	50	A
CXDL2.5GN	2.5 mm ² 2 LVL SPNG CL TERMINAL GREEN	34.30	1	EA	50	A
CXDL2.5O	2.5 mm ² 2 LVL SPR CL TERMINAL ORG	34.30	1	EA	250	A
CXDL2.5R	2.5 mm ² 2 LVL SPR CL TERMINAL RED	34.30	1	EA	50	A
CXDL2.5W	2.5 mm ² 2 LEVEL SPRNG CLMP TERMINAL WHT	34.30	1	EA	50	A
CXDL2.5Y	2.5 mm ² 2 LVL SPR CL TERMINAL YLW	34.30	1	EA	50	A
CXDLG2.5	2.5 mm ² FEED THRU + GND SPRING CL TB	97.70	1	EA	50	A
CXDLG2.5(I.S)	2.5 mm ² 2 LEVEL SPRING CL GROUND TB	111.50	1	EA	50	A
CXDLG2.5/2B	2.5 mm ² 2 LEVEL PLUGABLE SP CL GR	178.60	1	EA	50	A
CXDLG2.5/2B(I.S)	2.5 mm ² 2 LVL PLUGABLE SPRING CL GRN	269.60	1	EA	50	A
CXF4	4mm ² Ø5X20mm SPRING CLAMP FUSE TB	63.20	1	EA	50	A
CXF4/3	4mm ² Ø5X20mm SPRING CLAMP FUSE 3 WIRE TB	100.70	1	EA	50	A
CXF4/3L110-240V	4 mm ² Ø5X20mm SP CL FUSE 3W TB 110-240V	130.90	1	EA	50	A
CXF4/3L6-60V	4 mm ² Ø5X20mm SP CL FUSE 3 WIRE TB 6-60V	130.90	1	EA	50	A
CXF4-0.5	4mm ² Ø5X20mm SPRNG CLMP 0.5A FUSE TB	110.75	1	EA	50	A
CXF4-0.5Y	4mm ² Ø5X20mm SPRNG CLMP 0.5A FUSE TB YLW	121.85	1	EA	50	A
CXF4-2.0R	4mm ² Ø5X20mm SPRNG CLMP 2.0A FUSE TB RED	121.85	1	EA	50	A
CXF4BK	4mm ² Ø5X20mm SPRING CLAMP FUSE TB BLK	69.50	1	EA	50	A
CXF4BU	4mm ² Ø5X20mm SPRING CLAMP FUSE TB BLU	69.50	1	EA	50	A
CXF4L110-240V	4mm ² Ø5X20mm SPR CL FU TB110-240V	83.20	1	EA	50	A
CXF4L110-240V2A	4mm ² Ø5X20mm SP CL 2A FUSE TB 110-240V	91.50	1	EA	50	A
CXF4L110-240VBK	4mm ² Ø5X20mm SPR CL FU TB110-240V BLACK	91.50	1	EA	50	A
CXF4L110-240VBU	4mm ² Ø5X20mm SPR CL FU TB110-240V BLUE	91.50	1	EA	50	A
CXF4L110-240VO	4mm ² Ø5X20mm SPR CL FUSE TB 110-240V ORG	91.50	1	EA	50	A

Part #	Description	List Price in ₹	Per	UOM	Std. Pack	Group
CXF4L110-240VR	4mm ² Ø5X20mm SPR CL FU TB110-240V RED	90.30	1	EA	50	A
CXF4L110-240VY	4mm ² Ø5X20mm SPR CL FU TB110-240V YLW	91.50	1	EA	50	A
CXF4L6-60V	4mm ² Ø5X20mm SPRING CLMP FUSE TB 6-60V	83.20	1	EA	50	A
CXF4L6-60V1A	4mm ² Ø5X20mm SP CL 1A FUSE TB 6-60V	91.50	1	EA	1	A
CXF4L6-60VBK	4mm ² Ø5X20mm SPRG CLMP FUSE TB 6-60V BLK	91.50	1	EA	50	A
CXF4L6-60VBU	4mm ² Ø5X20mm SPRG CLMP FUSE TB 6-60V BLU	91.50	1	EA	50	A
CXF4L6-60VO	4mm ² Ø5X20mm SPRG CLMP FUSE TB 6-60V ORG	91.50	1	EA	50	A
CXF4L6-60VR	4mm ² Ø5X20mm SPRG CLMP FUSE TB 6-60V RED	91.50	1	EA	50	A
CXF4L6-60VY	4mm ² Ø5X20mm SPRG CLMP FUSE TB 6-60V YLW	91.50	1	EA	50	A
CXF4R	4mm ² Ø5X20mm SPRNG CLMP FUSE TB RED	69.50	1	EA	50	A
CXF4Y	4mm ² Ø5X20mm SPRNG CLMP FUSE TB YLW	69.50	1	EA	50	A
CXG10	10 mm ² SPRING CLAMP GROUNDING TB	177.90	1	EA	50	A
CXG10/3	10 mm ² SPRING CLAMP 3 WIRE GROUND TB	194.80	1	EA	50	A
CXG2.5	2.5 mm ² SPRING CLAMP GROUNDING TB	70.20	1	EA	100	A
CXG2.5/1B	2.5 mm ² PLUGABLE SPRING CLAMP GROUND TB	86.40	1	EA	100	A
CXG2.5/2B	2.5 mm ² PLUGABLE GROUND TB	84.70	1	EA	100	A
CXG2.5/3	2.5 mm ² SPRING CL 3 WIRE GROUND TB	103.20	1	EA	100	A
CXG2.5/3/1B	2.5 mm ² 3 WIRE PLUGABLE SP CL GROUND TB	105.10	1	EA	100	A
CXG2.5/4	2.5 mm ² SPRING CLAMP 4 WIRE GROUND TB	105.30	1	EA	100	A
CXG2.5/4/2B	2.5 mm ² 4 WIRE PLUGABLE SP CL GRO	121.00	1	EA	100	A
CXG2.5/4/4B	2.5 mm ² 4 WIRE PLUGABLE GROUND TE	116.60	1	EA	100	A
CXG35	35 mm ² SPRG CLMP GND TB GRN YLW	528.00	1	EA	15	A
CXG4	4 mm ² SPRING CLAMP GROUNDING TB	71.00	1	EA	100	A
CXG4/3	4SQ EARTHING SP CL MOD TB (3 WIRE)	106.70	1	EA	50	A
CXG4/4	4SQ EARTHING SP CL MOD TB (4 WIRE)	115.60	1	EA	50	A
CXG6	6 mm ² SPRING CLAMP GROUNDING TB	137.90	1	EA	100	A
CXG6/3	6 mm ² SPRING CLAMP 3 WIRE GROUND TB	157.20	1	EA	50	A
CXK2.5	2.5mm ² 2 WIRE KNIFE DISCON SPR CL TB	43.50	1	EA	100	A
CXK2.5/4	2.5mm ² 4 WIRE KNIFE DISCON SPR CL TB	56.00	1	EA	50	A
CXK2.5/4BK	2.5mm ² 4 WIRE KNIFE DISCON SP CL TB BLACK	61.60	1	EA	50	A
CXK2.5/4BU	2.5mm ² 4 WIRE KNIFE DISCON SP CL TB BLUE	61.60	1	EA	50	A
CXK2.5/4GN	2.5mm ² 4 WIRE KNIFE DISCON SP CL TB GREEN	61.60	1	EA	50	A
CXK2.5/4O	2.5mm ² 4 WIRE KNIFE DISCON SPR CL TB ORG	61.60	1	EA	250	A
CXK2.5/4R	2.5mm ² 4 WIRE KNIFE DISCON SP CL TB RED	61.60	1	EA	50	A
CXK2.5/4W	2.5mm ² 4 WIRE KNIFE DISCON SPR CL TB WHT	61.60	1	EA	250	A
CXK2.5/4Y	2.5mm ² 4 WIRE KNIFE DISCON SP CL YELLOW	61.60	1	EA	50	A
CXK2.5BK	2.5mm ² 2 WIRE KNIFE DISCON SP CL BLACK	47.80	1	EA	100	A
CXK2.5BU	2.5mm ² 2 WIRE KNIFE DISCON SP CL BLUE	47.80	1	EA	100	A
CXK2.5GN	2.5mm ² 2 WIRE KNIFE DISCON SP CL GREEN	47.80	1	EA	100	A
CXK2.5O	2.5mm ² 2WIRE KNIFE DISCON SPCL TB ORANGE	47.80	1	EA	100	A
CXK2.5R	2.5mm ² 2 WIRE KNIFE DISCON SP CL RED	47.80	1	EA	100	A
CXK2.5W	2.5mm ² 2 WIRE KNIFE DISCON SPCL TB WHITE	47.80	1	EA	100	A
CXK2.5Y	2.5mm ² 2 WIRE KNIFE DISCON SP CL YELLOW	47.80	1	EA	100	A
CXK4	4mm ² 2 WIRE KNIFE DISCON SPRNG CLMP TB	83.40	1	EA	100	A
CXK4/3	4 mm ² 3 WIRE KNIFE DISCON SPRNG CLMP TB	132.00	1	EA	50	A
CXK4BU	4mm ² 2 WIRE KNIFE DISCON SP CLMP TB BLUE	91.70	1	EA	100	A
CXK4R	4mm ² 2 WIRE KNIFE DISCON SP CLMP TB RED	91.70	1	EA	50	A
CXLPN	LOCKING PIN FOR CX2.5PN / CX2.5SN	8.00	1	EA	25	A
CXM2.5	2.5mm ² FEED THRU SP CL TB FR DIN15 RAIL	12.20	1	EA	100	A
CXM2.5BK	UD-2.5 mm ² MINIATURE SPRING CLAMP TB	13.40	1	EA	100	A
CXM2.5BU	2.5MM ² FEED THRU SP CL TB DIN15 RAIL BLU	13.40	1	EA	100	A

Part #	Description	List Price in ₹	Per	UOM	Std. Pack	Group
CXM2.5GN	2.5mm ² FEED THRU SP CL TB DIN15 RAIL GRN	13.40	1	EA	100	A
CXM2.5O	2.5MM ² FEED THRU SP CL TB DIN15 RAIL ORG	13.40	1	EA	500	A
CXM2.5R	2.5mm ² FEED THRU SP CL TB DIN15 RAIL RED	13.40	1	EA	100	A
CXM2.5Y	UD-2.5 mm ² MINIATURE SPRING CLAMP TB	13.40	1	EA	100	A
CXMG2.5	2.5mm ² SP CL GROUND TB FR DIN15 RAIL	48.80	1	EA	100	A
CXPOLN	CODING PIN FOR CX2.5PN / CX2.5PLN	3.40	1	EA	25	A
CXS2.5	2.5mm ² FD THRU SIDE ENTRY SPRING CLMP TB	10.40	1	EA	50	A
CXS2.5BK	2.5mm ² FD THRU SIDE ENTRY SP CL BLACK	11.40	1	EA	50	A
CXS2.5BU	2.5mm ² FD THRU SIDE ENTRY SPRING CL BLUE	11.40	1	EA	50	A
CXS2.5GN	2.5mm ² FD THRU SIDE ENTRY SP CL GREEN	11.40	1	EA	50	A
CXS2.5R	2.5mm ² FD THRU SIDE ENTRY SP CL RED	11.40	1	EA	50	A
CXS2.5Y	2.5mm ² FD THRU SIDE ENTRY SP CL YELLOW	11.40	1	EA	100	A
CXS4	4 mm ² FD THRU SIDE ENTRY SPRING CLMP TB	16.50	1	EA	100	A
CXS4BK	4 mm ² FD THRU SIDE ENTRY SP CL TB BLK	18.10	1	EA	100	A
CXS4BU	4 mm ² FD THRU SIDE ENTRY SP CL TB BLU	18.10	1	EA	100	A
CXS4GN	4 mm ² FD THRU SIDE ENTRY SP CL TB GRN	18.10	1	EA	100	A
CXS4R	4 mm ² FD THRU SIDE ENTRY SP CL TB RED	18.10	1	EA	100	A
CXS4W	4 mm ² FD THRU SIDE ENTRY SP CL TB WHT	18.10	1	EA	100	A
CXSG2.5	2.5mm ² SIDE ENTRY SPRING CLAMP GROUND TB	85.90	1	EA	50	A
CXSG4	4 mm ² SIDE ENTRY SPRING CLAMP GROUND TB	104.10	1	EA	100	A
CXSR2N	2W STRAIN RELIEF PLATE CX2.5PN / CX2.5SN	10.60	1	EA	25	A
CXSR4N	4W STRAIN RELIEF PLATE FR CX2.5PN/CX2.5S	13.30	1	EA	25	A
CXVF2.5A	6mm ² I/P 2X2.5mm ² O/P Ø5X20mm FUSE SPCLTB	211.80	1	EA	50	A
CXVFA	6 mm ² Ø5X20mm FUSE SPRING CLAMP TB	219.50	1	EA	50	A
CXVFAL24V	6mm ² Ø5X20mm FUSE SPRING CLAMP TB 24V	285.30	1	EA	50	A
CXVFB	6 mm ² Ø5X25mm FUSE SPRING CLAMP TB	263.40	1	EA	50	A
CXVFC	6mm ² Ø6.3X32mm VERTICAL FUSE SP CLMP TB	351.10	1	EA	50	A
CY10	10 mm ² FEED THRU SCREW CLAMP TERMINAL	22.70	1	EA	50	A
CY10BU	10 mm ² FEED THRU SCREW CLAMP TB BLU	24.90	1	EA	50	A
CY16	16 SQ.MM FEED THROUGH TERMINAL BLOCK	44.00	1	EA	50	A
CY2.5	2.5 mm ² FEED THRU SCREW CLAMP TERMINAL	11.20	1	EA	100	A
CY2.5BU	2.5 mm ² FEED THRU SCREW CLAMP TB BLU	12.30	1	EA	100	A
CY4	4 mm ² FEED THRU SCREW CLAMP TERMINAL	13.50	1	EA	100	A
CY4/3	4 mm ² FEED THRU SCREW CLAMP 3 WIRE TB	30.60	1	EA	50	A
CY4/4	4 mm ² FEED THRU SCREW CLAMP 4 WIRE TB	42.90	1	EA	50	A
CY4BU	4 mm ² FEED THRU SCREW CLAMP TB BLU	14.80	1	EA	100	A
CY6	6 mm ² FEED THRU SCREW CLAMP TERMINAL	18.00	1	EA	100	A
CY6BU	6 mm ² FEED THRU SCREW CLAMP TB BLU	19.80	1	EA	100	A
CYDL2.5	2.5mm ² 2 LEVEL FD THRU SCREW CLMP TB	35.00	1	EA	50	A
CYDL2.5(I.S)	2.5mm ² 2 LEVEL FD THRU SC CL INT SHRT TB	50.80	1	EA	50	A
CYDL2.5BU	2.5mm ² 2 LEVEL FD THRU SCREW CLMP TB BLU	38.50	1	EA	50	A
CYDL4	4mm ² 2 LEVEL FD THRU SCREW CLMP TB	38.00	1	EA	50	A
CYDL4(I.S)	4mm ² 2 LVL FD THRU SC CL INT SHRT TB	50.20	1	EA	50	A
CYDL4ED1	4 MM ² 2 LEVEL SCREW CLAMP DIODE D1 TB	80.10	1	EA	50	A
CYDL4ED2	4 MM ² 2 LEVEL SCREW CLAMP DIODE D2 TB	80.10	1	EA	50	A
CYDL4ED3	4 MM ² 2 LEVEL SCREW CLAMP DIODE D3 TB	80.10	1	EA	50	A
CYDL4EDD1	4 MM ² 2 LEVEL SCREW CLAMP 2 DIODE DD1 TB	87.20	1	EA	50	A
CYDL4EDD2	4 MM ² 2 LEVEL SCREW CLAMP 2 DIODE DD2 TB	87.20	1	EA	50	A
CYDL4EDD3	4 MM ² 2 LEVEL SCREW CLAMP 2 DIODE DD3 TB	87.20	1	EA	50	A
CYDL4EDD4	4 MM ² 2 LEVEL SCREW CLAMP 2 DIODE DD4 TB	87.20	1	EA	50	A
CYDL4EDD512V	4 MM ² 2 LVL SCRW CL 12V DIODE DD5 TB	94.60	1	EA	50	A

Part #	Description	List Price in ₹	Per	UOM	Std. Pack	Group
CYDL4EDD524V	4 MM ² 2 LVL SCRW CL 24V DIODE DD5 TB	94.60	1	EA	50	A
CYDL4EL124V	4 MM ² 2 LEVEL SCREW CLAMP 24V LED L1 TB	94.60	1	EA	50	A
CYDL4EL224V	4 MM ² 2 LEVEL SCREW CLAMP 24V LED L2 TB	94.60	1	EA	50	A
CYDL4ELD124V	4 MM ² 2 LEVEL SCRW CLAMP 24V LED LD1 TB	94.60	1	EA	50	A
CYDL4ELD224V	4 MM ² 2 LEVEL SCRW CLAMP 24V LED LD2 TB	94.60	1	EA	50	A
CYDL4ELD312V	4 MM ² 2 LEVEL SCREW CLAMP 12V LED LD	94.60	1	EA	50	A
CYDL4ELD324V	4 MM ² 2 LEVEL SCREW CLAMP 24V LED LD3 TB	94.60	1	EA	50	A
CYDL4ELD424V	4 MM ² 2 LEVEL SCREW CLAMP 24V LED LD4 TB	94.60	1	EA	50	A
CYDL4ELD448V	4 MM ² 2 LEVEL SCREW CLAMP 48V LED LD4 TB	94.60	1	EA	50	A
CYDL4ELD5110V	4 MM ² 2 LEVEL SCRW CLAMP 110V LED LD5 TB	94.60	1	EA	50	A
CYDL4ELD5220V	4 MM ² 2 LEVEL SCRW CLAMP 220V LED LD5 TB	94.60	1	EA	50	A
CYDL4ELD524V	4 MM ² 2 LEVEL SCREW CLAMP 24V LED LD5 TB	94.60	1	EA	50	A
CYDLF4	4mm ² 2 LEVEL Ø5X20mm SCREW CL FUSE TB	113.00	1	EA	50	A
CYDLF4FT	4mm ² CYDLF PRO FEED THRU SCERW CL TB	105.00	1	EA	50	A
CYDLF4L110-240V	4mm ² Ø5X20mm FUSE SC CL TB LED 110-240V	153.00	1	EA	50	A
CYDLF4L6-60V	4mm ² Ø5X20mm FUSE SC CL TB LED 6-60V	153.00	1	EA	50	A
CYDLF4LR	4mm ² 2 LEVEL Ø5X20mm SCREW CL FU TB	149.90	1	EA	50	A
CYDLG2.5	2.5mm ² 2 LEVEL FD THRU SCRW CLMP GND TB	119.80	1	EA	50	A
CYDLG2.5(I.S)	2.5mm ² 2 LVL FD TH SC CL INT SHRT GND TB	155.80	1	EA	50	A
CYDLG4	4mm ² 2 LEVEL FD THRU SCRW CLMP GND TB	124.60	1	EA	50	A
CYDLG4(I.S)	4mm ² 2 LVL FD THRU SC CL INT SHRT GND TB	162.00	1	EA	50	A
CYDLGF4	4mm ² 2 LEVEL Ø5X20mm FUSE+GND SW CL TB	186.30	1	EA	50	A
CYDLGF4FT	4mm ² CYDLF PRO FEED THRU +GND SW CL TB	179.70	1	EA	50	A
CYDLGF4L110-240V	4mm ² 2 LEVEL Ø5X20mm FUSE+GND SW CL TB	206.40	1	EA	50	A
CYDLGF4L6-60V	4mm ² 2 LEVEL Ø5X20mm FUSE+GND SW CL TB	206.40	1	EA	50	A
CYDLGF4LR	4mm ² 2 LEVEL Ø5X20mm FUSE+GND SW CL TB	203.20	1	EA	50	A
CYDLGK4	4mm ² 2 LEVEL KNIFE DISCON +GND SW CL TB	179.70	1	EA	50	A
CYDLK4	4mm ² 2 LEVEL KNIFE DISCON SCREW CL TB	136.00	1	EA	50	A
CYDLK4BU	4mm ² 2 LEVEL KNIFE DISCON SCREW CL TB BLUE	149.60	1	EA	50	A
CYF4	4mm ² Ø5X20mm FUSE 6mm WIDE TERMINAL BLOCK	58.50	1	EA	50	A
CYF4BU	4mm ² Ø5X20mm FUSE 6mm WIDE TB BLU	64.30	1	EA	50	A
CYF4L10-36V	4mm ² Ø5X20mm FUSE SC CL TB LED 10-36V	79.00	1	EA	50	A
CYF4L110-240V	4mm ² Ø5X20mm FUSE SC CL TB LED 110-240V	79.00	1	EA	50	A
CYF4L6-60V	4mm ² Ø5X20mm FUSE SC CL TB LED 6-60V	79.00	1	EA	50	A
CYG10	10 mm ² SCREW CLAMP GROUND TERMINAL	116.40	1	EA	50	A
CYG16	16 SQ.MM GROUND TERMINAL BLOCK	135.00	1	EA	50	A
CYG2.5	2.5 mm ² SCREW CLAMP GROUNDING TB	72.60	1	EA	50	A
CYG4	4 mm ² SCREW CLAMP GROUNDING TB	79.40	1	EA	50	A
CYG4/3	4 mm ² FEED THRU SP CL 3 WIRE GROUND TB	120.30	1	EA	50	A
CYG4/4	4 mm ² FEED THRU SP CL 4 WIRE GROUND TB	133.10	1	EA	50	A
CYG6	6 mm ² SCREW CLAMP GROUNDING TB	95.50	1	EA	50	A
CYK2.5	2.5 mm ² 2 WIRE KNIFE DISCON SCREW CL TB	37.70	1	EA	50	A
CYK2.5BU	2.5 mm ² 2 WIRE KNIFE DISCON SC CL TB BLU	41.40	1	EA	50	A
CYK2.5N	2.5 mm ² 2 WIRE KNIFE DISCON SCREW CL TB	37.70	1	EA	100	A
CYK4	4 mm ² 2 WIRE KNIFE DISCON SCREW CL TB	46.70	1	EA	50	A
CYK4BU	4 mm ² 2 WIRE KNIFE DISCON SCRW CL TB BLU	51.30	1	EA	50	A
CYTLF2.5	2.5MM ² 3 LEVEL FD THRU SCRW CLMP FUSE TB	161.60	1	EA	50	A
CYTLF2.5L110-240V	2.5MM ² 3 LVL SC CL FUSE TB LED 110-240V	210.00	1	EA	50	A
CYTLF2.5L6-60V	2.5MM ² 3 LVL SC CL FUSE TB LED 6-60V	210.00	1	EA	50	A
CYTLGF2.5	2.5MM ² 3 LEVEL SCRW CLMP FUSE GND TB	203.50	1	EA	50	A
CYTLGF2.5L110-240V	2.5MM ² 3 LVL SC FUSE GND TB LED 110-240V	264.50	1	EA	50	A

Part #	Description	List Price in ₹	Per	UOM	Std. Pack	Group
CYTLGF2.5L6-60V	2.5MM ² 3 LVL SC CL FUSE GND TB LED 6-60V	264.50	1	EA	50	A
DB16	16 MM ² 76AMP DISTRIBUTION BLOCK TB	285.60	1	EA	10	B
DB16BK	16 MM ² 76AMP DISTRIBUTION BLOCK TB BLK	314.10	1	EA	10	B
DB16BU	16 MM ² 76AMP DISTRIBUTION BLOCK TB BLU	314.10	1	EA	10	B
DB16GN	16 MM ² 76AMP DISTRIBUTION BLOCK TB GRN	314.10	1	EA	10	B
DB16R	16 MM ² 76AMP DISTRIBUTION BLOCK TB RED	314.10	1	EA	10	B
DB16W	16 MM ² 76AMP DISTRIBUTION BLOCK TB WHT	314.10	1	EA	1	B
DB16Y	16 MM ² 76AMP DISTRIBUTION BLOCK TB YLW	314.10	1	EA	10	B
DB35	35 MM ² 125AMP DISTRIBUTION BLOCK TB	407.80	1	EA	10	B
DB35BK	35 MM ² 125AMP DISTRIBUTION BLOCK TB BLK	448.50	1	EA	10	B
DB35BU	35 MM ² 125AMP DISTRIBUTION BLOCK TB BLU	448.50	1	EA	10	B
DB35GN	35 MM ² 125AMP DISTRIBUTION BLOCK TB GRN	448.50	1	EA	10	B
DB35R	35 MM ² 125AMP DISTRIBUTION BLOCK TB RED	448.50	1	EA	10	B
DB35Y	35 MM ² 125AMP DISTRIBUTION BLOCK TB YLW	448.50	1	EA	10	B
DDDL4U	4 mm ² 2 LEVEL DISCONNECT SCREW CLAMP TB	89.00	1	EA	20	B
DDDL4U/S	4 mm ² 2 LEVEL DISCONNECT SLTD SW CL TB	91.80	1	EA	20	B
DDDL4UBU	4 mm ² 2 LVL DISCONNECT SW CL TB BLU	97.90	1	EA	20	B
DDDL4ULR	4 mm ² 2 LEVEL DISCONNECT SCREW CLAMP TB	133.00	1	EA	20	B
DDDL4ULR220V	4 mm ² 2 LEVEL DISCONNECT SCREW CLAMP TB	172.90	1	EA	20	B
DDDL4ULR440V	4 mm ² 2 LEVEL DISCONNECT SCREW CLAMP TB	172.90	1	EA	20	B
DDFL4U	4 mm ² 2 LEVEL Ø5X20mm 6.3A SW CL FUSE TB	96.30	1	EA	20	B
DDFL4U0.5A	4mm ² 2 LVL Ø5X20mm 0.5A SW CL FUSE	96.30	1	EA	20	B
DDFL4U1A	4mm ² 2 LVL Ø5X20mm 1A SW CL FUSE	96.30	1	EA	20	B
DDFL4UBK	4 mm ² 2 LVL Ø5X20mm 6.3A SW CL FUSE BLK	105.90	1	EA	20	B
DDFL4UBU	4 mm ² 2 LVL Ø5X20mm 6.3A SW CL FUSE BLU	105.90	1	EA	20	B
DDFL4UE110-240RPWF	4mm ² 2 LVL SW CL REV PRNT 110-240V FU TB	101.20	1	EA	20	B
DDFL4UE110-240V	4 mm ² 2 LVL Ø5X20mm 6.3A FUSE 110-240V	116.40	1	EA	20	B
DDFL4UE110-240V2.0	4 mm ² 2 LVL Ø5X20mm 2.0A FUSE 110-240V	116.40	1	EA	20	B
DDFL4UE110-240VBK	4mm ² 2 LVL Ø5X20mm 6.3A FUSE 110-240V BK	128.00	1	EA	20	B
DDFL4UE110-240VW/F	4 mm ² 2 LVL Ø5X20mm W/O FUSE 110-240V TB	115.20	1	EA	20	B
DDFL4UE110V	4 mm ² 2 LVL Ø5X20mm 6.3A SW CL FUSE 110V	113.80	1	EA	20	B
DDFL4UE110VBK	4mm ² 2 LVL Ø5X20mm 6.3A SWCL FU 110V BLK	125.20	1	EA	20	B
DDFL4UE110VW/F	4 mm ² 2 LVL Ø5X20mm SCREW CL FUSE 110V	108.20	1	EA	20	B
DDFL4UE220V	4 mm ² 2 LVL Ø5X20mm 6.3A SW CL FUSE 220V	113.80	1	EA	20	B
DDFL4UE220V2A	4mm ² 2 LVL Ø5X20mm 2A SWCL FUSE 220V	125.20	1	EA	20	B
DDFL4UE220VBK	4mm ² 2 LVL Ø5X20mm 6.3A SWCL FU 220V BLK	125.20	1	EA	20	B
DDFL4UE220VW/F	4 mm ² 2 LVL Ø5X20mm SCREW CL FUSE 220V	108.20	1	EA	20	B
DDFL4UE24V	4 mm ² 2 LVL Ø5X20mm 6.3A SW CL FUSE 24V	113.80	1	EA	20	B
DDFL4UE24V1A	4 mm ² 2 LVL Ø5X20mm 1A SW CL FUSE 24V	113.80	1	EA	20	B
DDFL4UE24V27KREV	4 mm ² 2 LVL Ø5X20mm SW CL FUSE 24V REV	113.80	1	EA	20	B
DDFL4UE24V2A	4 mm ² 2 LVL Ø5X20mm 2A SW CL FUSE 24V	113.80	1	EA	20	B
DDFL4UE24VBK	4 mm ² 2 LVL Ø5X20mm SW CL FUSE 24V BLK	125.20	1	EA	20	B
DDFL4UE24VBU	4 mm ² 2 LVL Ø5X20mm SW CL FUSE 24V BLU	125.20	1	EA	20	B
DDFL4UE24VBW/F	4 MM ² 2LVL Ø5X20MM SW CL W/O FUS 24V BLU	112.70	1	EA	20	B
DDFL4UE24VW/F	4 mm ² 2 LVL Ø5X20mm SCREW CL FUSE 24V	108.20	1	EA	20	B
DDFL4UE440V	4 mm ² 2 LVL Ø5X20mm 6.3A SWCL FU 440	129.60	1	EA	20	B
DDFL4UE48V	4 mm ² 2 LVL Ø5X20mm 6.3A SW CL FUSE 48V	113.80	1	EA	20	B
DDFL4UE48VW/F	4 mm ² 2 LVL Ø5X20mm SCREW CL FUSE 48V	108.20	1	EA	20	B
DDFL4UE6-60V	4 mm ² 2 LVL Ø5X20mm 6.3A SW CL FUS 6-60V	116.40	1	EA	20	B
DDFL4UE6-60VBU	4 mm ² 2 LVL Ø5X20mm 6.3A FUSE 6-60V BLUE	128.00	1	EA	20	B
DDFL4UELR110V	4 mm ² 2 LVL Ø5X20mm 6.3A SW CL FUSE	129.60	1	EA	20	B

Part #	Description	List Price in ₹	Per	UOM	Std. Pack	Group
DDFL4UELR220V	4 mm ² 2 LVL Ø5X20mm 6.3A SW CL FUSE 220V	129.60	1	EA	20	B
DDFL4UELR24V	4 mm ² 2 LVL Ø5X20mm 6.3A SW CL FUSE 24V	129.60	1	EA	20	B
DDFL4UELR24VW/F	4 mm ² 2 LVL Ø5X20mm SW CL W/O FUSE 24V	123.80	1	EA	20	B
DDFL4UELR48V	4 mm ² 2 LVL Ø5X20mm 6.3A SW CL FUSE 48V	129.60	1	EA	20	B
DDFL4ULR	4 mm ² 2 LEVEL Ø5X20mm 6.3A SW CL FUSE TB	108.00	1	EA	20	B
DDFL4ULRR	4mm ² 2 LVL Ø5X20mm 6.3A SWCL FUS RED	119.00	1	EA	20	B
DDFL4ULRW/F	4 mm ² 2 LEVEL Ø5X20mm SCREW CL FUSE TB	99.00	1	EA	20	B
DDFL4UR	4 mm ² 2 LVL Ø5X20mm 6.3A SW CL FUSE RED	105.90	1	EA	20	B
DDFL4UW/F	4 mm ² 2 LEVEL Ø5X20mm SCREW CL FUSE TB	86.70	1	EA	20	B
DDFL4UW/FBK	4 mm ² 2 LEVEL Ø5X20mm SCREW CL FUSE BLK	95.40	1	EA	20	B
DDFL4UW/FBU	4 MM ² 2 LEVEL Ø5X20MM SCREW CL FUSE BLU	95.40	1	EA	20	B
DDFL4UY	4 mm ² 2 LVL Ø5X20mm 6.3A SW CL FUSE YLW	105.90	1	EA	20	B
DDPT	2 LEVEL MS SCREW 11mm PITCH PCB TB	40.00	1	EA	50	A
ECAP35/15	CA701-35/15 DIN RAIL CAP	10.90	1	EA	100	A
ECAP35/7.5	CA701-35/7.5 DIN RAIL CAP	8.50	1	EA	100	A
EP1ODL2.5	SPACER PLATE FOR ODL2.5	5.80	1	EA	50	B
EP1ODL4U	END PLATE FOR ODL4U	6.80	1	EA	50	B
EP2.5/4UN	END PLATE FOR CTS2.5UN/4UN	5.80	1	EA	50	B
EP2.5/4UNBG	END PLT FR 2.5UN/4UN BGE	6.40	1	EA	250	B
EP2.5/4UNBK	END PLT FR 2.5UN/4UN BLK	6.40	1	EA	50	B
EP2.5/4UNBR	END PLT FR 2.5UN/4UN BRN	6.40	1	EA	50	B
EP2.5/4UNBU	END PLATE FOR CTS2.5UN/4UN BLUE	6.30	1	EA	50	B
EP2.5/4UNGN	END PLT FR 2.5UN/4UN GRN	6.40	1	EA	50	B
EP2.5/4UNO	END PLT FR 2.5UN/4UN ORG	6.40	1	EA	250	B
EP2.5/4UNR	END PLT FR 2.5UN/4UN RED	6.40	1	EA	50	B
EP2.5/4UNW	END PLT FR 2.5UN/4UN WHT	6.40	1	EA	250	B
EP2.5/4UNY	END PLT FR 2.5UN/4UN YLW	6.40	1	EA	50	B
EP4P	PARTITION PLATE FOR CTS35L/70L/95L	33.90	1	EA	10	C
EP6/10U	END PLATE FOR CTS6U/10U	6.30	1	EA	50	B
EP6/10UBG	END PLT FR CTS6U/10U BGE	6.90	1	EA	50	B
EP6/10UBK	END PLT FR CTS6U/10U BLK	6.90	1	EA	50	B
EP6/10UBR	END PLT FR CTS6U/10U BRN	6.90	1	EA	50	B
EP6/10UBU	END PLATE FOR CTS6U/10U BLUE	6.90	1	EA	50	B
EP6/10UGN	END PLT FR CTS6U/10U GRN	6.90	1	EA	50	B
EP6/10UR	END PLT FR CTS6U/10U RED	6.90	1	EA	50	B
EP6/10UW	END PLT FR CTS6U/10U WHT	6.90	1	EA	250	B
EP6/10UY	END PLT FR CTS6U/10U YLW	6.90	1	EA	50	B
EPAS2.5	END PLATE FOR AS2.5 SERIES	8.50	1	EA	50	A
EPAS2.5BU	PA END PLT FR AS2.5 BLU	9.30	1	EA	50	A
EPAS2.5O	END PLATE FOR AS2.5 ORANGE SERIES	9.30	1	EA	250	A
EPAS4	END PLATE FOR AS4 SERIES	9.80	1	EA	50	A
EPAS4BU	END PLATE FOR AS4 BLUE SERIES	10.70	1	EA	50	A
EPAS6	END PLATE FOR AS6 SERIES	14.40	1	EA	50	A
EPATL2.5	END PLATE FOR ATL2.5	30.80	1	EA	50	A
EPATL2.5H	END PLATE FOR ATL2.5H	20.90	1	EA	50	A
EPATLG2.5	END PLATE FOR ATLG2.5	25.60	1	EA	50	A
EPCAF4U	END PLATE FOR CAFL4U	11.80	1	EA	50	B
EPCBDT4U	END PLATE FOR CBDT4U	13.70	1	EA	50	B
EPCBDT4UBK	END PLATE FOR CBDT4UBK	15.10	1	EA	50	B
EPCBDT4UN	END PLATE FOR CBDT4UN	13.70	1	EA	50	B
EPCBDT4UR	END PLATE FOR CBDT4UR	15.10	1	EA	50	B

Part #	Description	List Price in ₹	Per	UOM	Std. Pack	Group
EPCBS3U	END PLATE FOR CBS & CSB SERIES TB	9.10	1	EA	50	B
EPCBS3UBK	END PLATE FOR CBS & CSB SERIES TB BLK	10.10	1	EA	50	B
EPCBS3UGN	END PLT FR BARR TYPE SCRWB TB GRN	10.10	1	EA	50	B
EPCDL4U	END PLATE FOR CDL4U	13.00	1	EA	50	B
EPCDL4UBU	END PLT FR CDL4U BLU	14.30	1	EA	50	B
EPCDL4UGN	END PLT FR CDL4U GRN	14.30	1	EA	50	B
EPCDL4UN	END PLATE FOR CDL4UN	10.80	1	EA	50	B
EPCDL4UNBK	END PLT FR CDL4UN BLK	12.60	1	EA	50	B
EPCDL4UNBR	END PLT FR CDL4UN BRN	12.60	1	EA	50	B
EPCDL4UNBU	END PLATE FOR CDL4UN BLUE	12.60	1	EA	50	B
EPCDL4UNR	END PLT FR CDL4UN RED	12.60	1	EA	50	B
EPCDL4UNW	END PLT FR CDL4UN WHT	12.60	1	EA	50	B
EPCDLG2.5	END PLATE FOR CDLG2.5	16.90	1	EA	50	B
EPCDS6U	END PLATE FOR CDS6U	11.80	1	EA	50	B
EPCDTTU	END PLATE FOR CDTTU	15.00	1	EA	50	B
EPCDTTUBK	END PLT FR CDTTU BLK	16.50	1	EA	50	B
EPCDTTUBR	END PLT FR CDTTU BRN	16.50	1	EA	50	B
EPCGT4UY	END PLATE FOR CGT4U YELLOW	10.40	1	EA	50	B
EPCKT4U	END PLATE FOR CKT4U	9.80	1	EA	50	B
EPCKT4U/4	END PLATE FOR CKT4U/4	14.90	1	EA	50	B
EPCKT4UBK	END PLT FR CKT4U BLK	10.80	1	EA	50	B
EPCM1.5S	END PLATE FOR CM1.5S/S2	3.60	1	EA	50	A
EPCM2.5S	END PLATE FOR CM2.5S/S2	3.90	1	EA	50	A
EPCM2.5SO	END PLATE FOR CM2.5SO/S2O	4.30	1	EA	250	A
EPCM2.5SR	END PLATE FOR CM2.5S/S2 RED	4.30	1	EA	50	A
EPCM4S	END PLATE FOR CM4S/S2	6.30	1	EA	50	A
EPCMB4	END PLATE FOR CMB4	7.10	1	EA	50	B
EPCMB4BU	END PLT FR CMB4 BLU	8.90	1	EA	50	B
EPCMB4R	END PLT FR CMB4 RED	8.90	1	EA	50	B
EPCMB4W	END PLT FR CMB4 WHT	8.90	1	EA	50	B
EPCMC1-2	END PLATE FOR CMC1-2	11.10	1	EA	50	B
EPCMC2-2	END PLATE FOR CMC2-2	14.90	1	EA	50	B
EPCMDT4	END PLATE FOR CMDT4	14.70	1	EA	50	C
EPCMDT4BK	END PLATE FOR CMDT4 BLACK	16.20	1	EA	50	C
EPCMS2.5	END PLATE FOR CMS2.5	5.70	1	EA	50	A
EPCMT10	END PLATE FOR CMT10	7.90	1	EA	50	A
EPCMT4	END PLATE FOR CMT4	6.00	1	EA	50	B
EPCMT4BK	END PLT FR CMT4 BLK	6.60	1	EA	50	B
EPCMT4BU	END PLT FR CMT4 BLU	6.60	1	EA	50	B
EPCMT4GN	END PLT FR CMT4 GRN	6.60	1	EA	50	B
EPCMT4R	END PLT FR CMT4 RED	6.60	1	EA	50	B
EPCMT4Y	END PLT FR CMT4 YLW	6.60	1	EA	50	B
EPCP1.5	END PLATE FOR CP1.5	5.40	1	EA	50	A
EPCP1.5/3	END PLATE FOR CP1.5/3	6.80	1	EA	50	A
EPCP1.5/4	END PLATE FOR CP1.5/4	8.50	1	EA	50	A
EPCP3L2.5	EP FOR CP3L SERIES	40.70	1	EA	30	A
EPCP4LG2.5	EP FOR CP4LG2.5	45.40	1	EA	30	A
EPCPDL1.5	END PLATE FOR CPDL1.5	10.40	1	EA	50	A
EPCPDL4	END PLATE FOR CPDL4	17.90	1	EA	50	A
EPCPDLK2.5	END PLATE FOR CPDLK2.5	23.40	1	EA	50	A
EPCPPT2.5/3	END PLATE FOR CPPT2.5/3	32.30	1	EA	50	A

Part #	Description	List Price in ₹	Per	UOM	Std. Pack	Group
EPCPPT2.5/4	END PLATE FOR CPPT2.5/4 GRY	38.90	1	EA	50	A
EPCPTL2.5	END PLATE FOR EPCPTL2.5	25.90	1	EA	50	A
EPCSC16/3T	END PLATE FOR CSC16/3T	19.40	1	EA	50	A
EPCSC16T	END PLATE FOR CSC16T	13.70	1	EA	50	A
EPCSC16TBU	END PLT FR CSC16T BLU	15.00	1	EA	50	A
EPCSCP2.5T	END PLATE FOR CSCP2.5T	7.90	1	EA	50	A
EPCSFL4U	END PLATE FOR CSFL4U	11.10	1	EA	50	B
EPCSFL4UY	END PLT FR CSFL4U YLW	12.20	1	EA	5000	B
EPCSTSB4/N4	END PLATE FOR CSTSB4/N4	9.20	1	EA	50	C
EPCSTSB4/N4R	MEL END PLT FR CSTSB4/N4 RED	10.20	1	EA	50	C
EPCSTSU	END PLATE FOR CSTSN4/N5U	9.80	1	EA	50	B
EPCSTSUBK	END PLT FR CSTSN4/N5U BLK	10.80	1	EA	50	B
EPCSTSUBU	END PLT FR CSTSN4/N5U BLU	10.80	1	EA	50	B
EPCSTSUGN	END PLT FR CSTSN4/N5U GRN	10.80	1	EA	50	B
EPCTC4U	END PLATE FOR CTC4U	8.60	1	EA	50	A
EPCTL2.5U	END PLATE FOR CTL2.5U	14.90	1	EA	50	B
EPCTL2.5UBK	END PLT FR CTL2.5U BLK	16.40	1	EA	50	B
EPCTL2.5UBU	END PLT FR CTL2.5U BLU	16.40	1	EA	50	B
EPCTL2.5UH	END PLATE FOR CTL2.5UH	11.10	1	EA	50	B
EPCTL2.5UO	END PLT FR CTL2.5U ORG	16.40	1	EA	250	B
EPCTL2.5UR	END PLT FR CTL2.5U RED	16.40	1	EA	50	B
EPCTLG2.5	END PLATE FOR CTLG2.5	22.20	1	EA	50	B
EPCX10	END PLATE FOR CX10 & CXG10	8.40	1	EA	50	A
EPCX10/3	END PLATE FOR CX10/3 & CXG10/3	10.40	1	EA	20	A
EPCX10BK	END PLATE FOR CX10 & CXG10 BLK	9.20	1	EA	50	A
EPCX10BU	END PLATE FOR CX10 & CXG10 BLU	9.20	1	EA	50	A
EPCX10GN	END PLATE FOR CX10 & CXG10 GRN	9.20	1	EA	50	A
EPCX10R	END PLATE FOR CX10 & CXG10 RED	11.40	1	EA	50	A
EPCX2.5	END PLATE FOR CX2.5/CXG2.5	5.70	1	EA	50	A
EPCX2.5/3	END PLATE FOR CX2.5/3 & CXG2.5/3	7.10	1	EA	50	A
EPCX2.5/3BU	END PLATE FOR CX2.5/3 & CXG2.5/3 BLUE	7.80	1	EA	50	A
EPCX2.5/3RL	END PLATE 2.5MM THICK FOR RAILWAY	7.20	1	EA	50	A
EPCX2.5/4	END PLATE FOR CX2.5/4&CXK2.5/4&CXG2.5/4	7.40	1	EA	50	A
EPCX2.5/4/2B	END PLATE FOR CX2.5/4/2B	13.00	1	EA	50	A
EPCX2.5/4/4B	END PLATE FOR CX2.5/4/4B	15.60	1	EA	50	A
EPCX2.5/4BU	END PLATE FOR CX2.5/4&CXG2.5/4 BLUE	8.10	1	EA	50	A
EPCX2.5/4O	END PLATE FOR CX2.5/4 ORANGE	8.10	1	EA	50	A
EPCX2.5/4RL	END PLATE 2.5MM THICK FOR RAILWAY	7.80	1	EA	50	A
EPCX2.5BK	END PLATE FOR CX2.5/CXG2.5 BLACK	6.20	1	EA	50	A
EPCX2.5BU	END PLATE FOR CX2.5/CXG2.5 BLUE	6.20	1	EA	50	A
EPCX2.5O	END PLATE FOR CX2.5 AND CXG2.5 ORANGE	6.20	1	EA	250	A
EPCX2.5SN	END PLATE FOR CX2.5SN	5.90	1	EA	50	A
EPCX4	END PLATE FOR CX4 & CXG4	6.80	1	EA	50	A
EPCX4/3	END PLATE FOR CX4/3 & CXG4/3	8.60	1	EA	50	A
EPCX4/4	END PLATE FOR CX4/4 & CXG4/4	10.20	1	EA	50	A
EPCX4/4BU	END PLATE FOR CX4/4 BLUE	11.20	1	EA	50	A
EPCX4BK	END PLATE FOR CX4 & CXG4 BLACK	7.40	1	EA	50	A
EPCX4BU	sND PLATE FOR CX4 & CXG4 BLUE	7.40	1	EA	50	A
EPCX4O	END PLATE FOR CX4 & CXG4 ORANGE	7.40	1	EA	250	A
EPCX4R	END PLATE FOR CX4 & CXG4 RED	7.90	1	EA	50	A
EPCX6	END PLATE FOR CX6 & CXG6	8.20	1	EA	50	A

Part #	Description	List Price in ₹	Per	UOM	Std. Pack	Group
EPCX6/3	END PLATE FOR CX6/3 & CXG6/3	9.80	1	EA	50	A
EPCX6BU	END PLATE FOR CX6 & CXG6 BLU	9.50	1	EA	50	A
EPCX6R	END PLATE FOR CX6 & CXG6 RED	9.50	1	EA	50	A
EPCXCP2.5/4	END PLATE FOR CXCP2.5/4	8.90	1	EA	50	A
EPCXDL2.5	END PLATE FOR CXDL2.5 SERIES	10.40	1	EA	50	A
EPCXDL2.5/2B	END PLATE FOR CXDL2.5/2B	15.60	1	EA	50	A
EPCXM2.5	END PLATE FOR CXM2.5	5.80	1	EA	50	A
EPCXS2.5	END PLATE FOR CXS2.5 & CXS4	4.80	1	EA	50	A
EPCXS2.50	END PLATE FOR CXS2.50	5.30	1	EA	50	A
EPCY2.5/10	END PLATE FOR CY2.5/4/6/10 CYG2.5/4/6/10	7.20	1	EA	50	A
EPCY4/3	END PLATE FOR CY4/3 & CYG4/3	13.00	1	EA	50	A
EPCY4/4	END PLATE FOR CY4/4 & CYG4/4	18.20	1	EA	50	A
EPCYDL2.5/4	END PLATE FOR CYDL2.5 & CYDL4	12.10	1	EA	50	A
EPDDL4U	END PLATE FOR DDFL4U	15.00	1	EA	20	B
EPDDL4UBK	END PLATE FOR DDFL4U BLK	16.50	1	EA	20	B
EPDDL4UBU	END PLT FR DDFL4U BLU	16.50	1	EA	20	B
EPODL2.5	END PLATE FOR ODL2.5	14.40	1	EA	50	B
EPODL4U	END PLATE FOR ODL4U(FS)	16.90	1	EA	50	B
EPSTH3	END PLATE FOR STH3	9.10	1	EA	50	B
EPSTH4	END PLATE FOR STH4	9.70	1	EA	50	B
EPSTH4DT	END PLATE FOR STH4DT	14.40	1	EA	50	B
EPSTH6	END PLATE FOR STH6	13.00	1	EA	50	B
EPUSC	END PLT FR CTS4USC/6USC/10USC/CHV SERIES	10.40	1	EA	50	B
FB5X200.1A	FUSE FB - 0.1 AMP (5X20)MM	9.70	1	EA	100	A
FB5X200.25A	FUSE FB - 0.25 AMP (5X20)MM	9.70	1	EA	100	A
FB5X200.3A	FUSE FB - 0.3 AMP (5X20)MM	9.70	1	EA	50	A
FB5X200.5A	FUSE FB - 0.5 AMP (5X20)MM	9.70	1	EA	100	A
FB5X200.63A	FUSE FB - 0.63 AMP (5X20)MM	9.70	1	EA	50	A
FB5X201A	FUSE FB - 1.00 AMP (5X20)MM	9.70	1	EA	100	A
FB5X202A	FUSE FB - 2.00 AMP (5X20)MM	9.70	1	EA	100	A
FB5X203A	FUSE FB - 3.00AMP (5X20)MM	9.70	1	EA	100	A
FB5X204A	FUSE FB - 4.00AMP (5X20)MM	9.70	1	EA	50	A
FB5X205A	FUSE FB - 5.00AMP (5X20)MM	9.70	1	EA	100	A
FB5X206.3A	FUSE FB - 6.3 AMP (5X20)MM	9.70	1	EA	100	A
FB5X206A	FUSE FB - 6.00AMP (5X20)MM	9.70	1	EA	100	A
FB6X320.5A	FUSE FB - 0.5 AMP (1/4X1 ¼)MM	9.70	1	EA	50	A
FB6X320.63A	FUSE FB - 0.63 AMP (1/4X1 ¼)MM	9.70	1	EA	100	A
FB6X321A	FUSE FB - 1 AMP (1/4X1 ¼)MM	9.70	1	EA	50	A
FB6X322A	FUSE FB - 2 AMP (1/4X1 ¼)MM	9.70	1	EA	50	A
FB6X323A	FUSE FB - 3 AMP (1/4X1 ¼)MM	9.70	1	EA	50	A
FB6X325A	FUSE FB - 5 AMP (1/4X1 ¼)MM	9.70	1	EA	50	A
FPCMST	PA FIXING PLT FR CMST1	8.00	1	EA	50	A
GMH1	GROUP MARKER HOLDER MOUNTED ON CA602	7.80	1	EA	100	B
GMH2	GROUP MARKER HOLDER MOUNTED ON CA702	7.80	1	EA	100	B
GMH3	GROUP MARKER HOLDER MOUNTED ON CA702	7.80	1	EA	100	B
GMH4	GROUP MARKER HOLDER MOUNTED ON CA802	7.80	1	EA	100	B
GMH5	GROUP MARKER HOLDER MOUNTED ON CA702	7.80	1	EA	100	B
GMH6	GROUP MARKR HOLDR MOUNTD ON DIN RAILS	16.00	1	EA	50	B
GMH7	GROUP MARKR HOLDR MOUNTD ON DIN RAILS	24.30	1	EA	50	B
GMH8	GROUP MARKER HOLDER MOUNTED ON CA103	15.40	1	EA	100	B
GMH8GN	PA GRP MARKR HOLDR MNTD ON CA103 GRN	17.00	1	EA	100	B

Part #	Description	List Price in ₹	Per	UOM	Std. Pack	Group
GMH8N	GROUP MARKER HOLDER MOUNTED ON CA103-6mm	14.40	1	EA	100	B
GMH9	GROUP MARKER HOLDER MOUNTED ON CA103/104	19.50	1	EA	100	B
JX1.5/10	10 POLE SHRT LNK FR 3.5MM WIDE SP CL TB	72.40	1	EA	10	A
JX1.5/2	2 POLE SHRT LNK FR 3.5MM WIDE SP CL TB	8.90	1	EA	100	A
JX1.5/3	3 POLE SHRT LNK FR 3.5MM WIDE SP CL TB	15.50	1	EA	100	A
JX1.5/4	4 POLE SHRT LNK FR 3.5MM WIDE SP CL TB	28.20	1	EA	100	A
JX10/2	2 POLE SHRT LNK FR 10MM WIDE SP CL TB	35.60	1	EA	20	A
JX2.5/10	10 POLE SHRT LNK FR 5MM WIDE SP CL TB	73.00	1	EA	10	A
JX2.5/2	2 POLE SHRT LNK FR 5MM WIDE SP CL TB	9.50	1	EA	100	A
JX2.5/3	3 POLE SHRT LNK FR 5MM WIDE SP CL TB	16.50	1	EA	50	A
JX2.5/4	4 POLE SHRT LNK FR 5MM WIDE SP CL TB	28.20	1	EA	50	A
JX2.5/5	5 POLE SHRT LNK FR 5MM WIDE SP CL TB	42.10	1	EA	50	A
JX2.5/6	6 POLE SHRT LNK FR 5MM WIDE SP CL TB	52.00	1	EA	10	A
JX2.5/7	7 POLE SHRT LNK FR 5MM WIDE SP CL TB	56.20	1	EA	10	A
JX2.5/8	8 POLE SHRT LNK FR 5MM WIDE SP CL TB	63.30	1	EA	10	A
JX4/10	10 POLE SHRT LNK FR 6MM WIDE SP CL TB	97.50	1	EA	10	A
JX4/16	16 POLE SHRT LNK FR 6MM WIDE SP CL TB	153.10	1	EA	10	A
JX4/2	2 POLE SHRT LNK FR 6MM WIDE SP CL TB	16.20	1	EA	100	A
JX4/3	3 POLE SHRT LNK FR 6MM WIDE SP CL TB	27.80	1	EA	50	A
JX4/4	4 POLE SHRT LNK FR 6MM WIDE SP CL TB	41.80	1	EA	50	A
JX4/5	5 POLE SHRT LNK FR 6MM WIDE SP CL TB	55.70	1	EA	50	A
JX4/6	6 POLE SHRT LNK FR 6MM WIDE SP CL TB	66.80	1	EA	50	A
JX4/8	8 POLE SHRT LNK FR 6MM WIDE SP CL TB	69.60	1	EA	10	A
JX6/10	10 POLE SHRT LNK FR 8MM WIDE SP CL TB	139.20	1	EA	10	A
JX6/2	2 POLE SHRT LNK FR 8MM WIDE SP CL TB	24.50	1	EA	100	A
JX6/3	3 POLE SHRT LNK FR 8MM WIDE SP CL TB	41.80	1	EA	50	A
JX6/4	4 POLE SHRT LNK FR 8MM WIDE SP CL TB	58.50	1	EA	50	A
JX6/5	5 POLE SHRT LNK FR 8MM WIDE SP CL TB	68.00	1	EA	50	A
JXS10/2.5	2P STEP DOWN INSU SHRT LNK FR CX10 CX2.5	65.60	1	EA	50	A
JXS10/4	2P STEP DOWN INSU SHRT LNK FR CX10 & CX4	65.60	1	EA	50	A
JXS10/6	2P STEP DOWN INSU SHRT LNK FR CX10 & CX6	66.90	1	EA	50	A
JXS4/2.5	UD-2P STEP DOWN INSU SHRT LNK FR CX4 &	65.60	1	EA	50	A
JXS6/2.5	2P STEP DOWN INSU SHRT LNK FR CX6 CX2.5	65.60	1	EA	50	A
JXS6/4	2P STEP DOWN INSU SHRT LNK FR CX6 & CX4	65.60	1	EA	50	A
JY10/2	2 POLE INSULATED SHORTING LINK FOR CY10	35.60	1	EA	20	A
JY6/10	10 POLE INSULATED SHORTING LINK FOR CY6	140.00	1	EA	10	A
JY6/2	2 POLE INSULATED SHORTING LINK FOR CY6	24.50	1	EA	100	A
JY6/3	3 POLE INSULATED SHORTING LINK FR CY6	41.80	1	EA	50	A
JY6/4	4 POLE INSULATED SHORTING LINK FR CY6	55.00	1	EA	50	A
JY6/5	5 POLE INSULATED SHORTING LINK FR CY6	68.00	1	EA	50	A
JY6/6	6 POLE INSULATED SHORTING LINK FR CY6	83.00	1	EA	100	A
JY6/7	7 POLE INSULATED SHORTING LINK FR CY6	96.00	1	EA	50	A
JY6/8	8 POLE INSULATED SHORTING LINK FR CY6	110.00	1	EA	50	A
JYS10/2.5	2P STEP DWN INS SHRT LNK FR CY10 & CY2.5	65.60	1	EA	20	A
LCCDS	LOCK OUT CAP FOR CDS6U	7.40	1	EA	50	A
LCSTH4DT	LOCK OUT CAP FOR STH4DT	9.90	1	EA	50	A
MH2.5(FG)	MOUNTING HANDLE SUITABLE FOR 2.5UN/2.5UE	133.10	1	EA	1	B
MH4(FG)	MOUNTING HANDLE SUITABLE FOR 4UN	133.10	1	EA	1	B
MHPTB35/50	MARKER HOLDER FOR PTB35/50	8.40	1	EA	10	B
MHPTB70/95	MARKER HOLDER FOR PTB70/95	10.00	1	EA	10	B
MS3.5/H/1-10	MS3.5 100 MT HOR PRINT 1-10	89.00	1	PKT	1	A

Part #	Description	List Price in ₹	Per	UOM	Std. Pack	Group
MS3.5/H/11-20	MS3.5 100 MT HOR PRINT 11-20	89.00	1	PKT	1	A
MS3.5/H/21-30	MS3.5 100 MT HOR PRINT 21-30	89.00	1	PKT	1	A
MS3.5WHT	MS3.5 100 MT HOR PRINT MARKER BLANK	77.90	1	PKT	1	A
MS3.5WP	MS3.5 100 MT HOR PRINTED MARKERS WHT	88.90	1	PKT	1	A
MS5WHT	5 MM WIDE MARKER (STRIP) BLANK	77.90	1	PKT	1	A
MS5WP	5 MM WIDE MARKER (STRIP) PRINTED	88.90	1	PKT	1	A
NEB10	COPPER BUS BAR 10X3mm 1METER LONG	1,016.40	1	EA	10	A
NEB6	COPPER BUS BAR 6X6mm 1METER LONG	1,016.40	1	EA	10	A
NES	PLASTIC SUPPORT FOR NEB	12.10	1	EA	50	B
NESCC	END BRACKET AND SUPPORT FOR NEB BUSBAR	240.00	1	EA	10	B
ODL2.5	2.5 mm ² OFFSET 2 LVL SW CL TB	31.10	1	EA	50	B
ODL2.5(I.S)	2.5mm ² 2 LVL OFFSET INT SHRT SW CL TB	43.30	1	EA	50	B
ODL2.5A	2.5 mm ² MODULAR OFFSET 2 LVL SW CL TB	31.10	1	EA	50	B
ODL2.5A(I.S)	2.5mm ² MODULR OFFSET 2L INT SHRT SWCL TB	41.40	1	EA	50	B
ODL4U	4 mm ² FEED THRU OFFSET 2 LEVEL SW CL TB	33.00	1	EA	50	B
ODL4UA	4 mm ² FEED THRU OFFSET 2LVL STACKABLE TB	36.30	1	EA	50	B
ODL4UBK	4 mm ² FEED THRU OFFSET 2LVL SW CL TB BLK	36.30	1	EA	50	B
ODL4UBU	4 mm ² FEED THRU OFFSET 2LVL SW CL TB BLU	36.30	1	EA	50	B
ODL4UY	4 MM ² FEED THRU OFFSET 2LVL SW CL TB YLW	36.30	1	EA	50	B
ODLG2.5	2.5mm ² 2 LVL OFFSET GND SW CL TB	104.20	1	EA	50	B
ODLG2.5(I.S)	2.5mm ² OFFSET 2L INT SHRT GND SW CL TB	114.90	1	EA	50	B
ODLG2.5A	2.5mm ² MODULAR OFFSET 2 LVL GND SW CL TB	104.30	1	EA	50	B
ODLG2.5A(I.S)	2.5mm ² MODULAR OFFSET 2L INT SHRT GND TB	115.00	1	EA	50	B
PDB120	120 mm ² 250 AMP DISTRIBUTION BLOCK	2,625.00	1	EA	10	B
PDB185	185 mm ² 400 AMP DISTRIBUTION BLOCK	3,003.00	1	EA	1	B
PDB70	70 mm ² 160 AMP DISTRIBUTION BLOCK	1,795.50	1	EA	1	B
PL-34000040	EK VARIO ENGRAVER VE 500 UNIT COMPLETE	5,89,151.00	1	EA	1	A
PL-34130010	K2G FIXTURE FOR CMPS500	21,894.40	1	EA	1	A
PL-34130098	CMPS600 BASIC PLOTTER UNIT SOFTWARE INCL	3,66,119.60	1	EA	1	A
PL-34130099	CMPS600 A3 PLOTTER UNIT SOFTWARE INCL	5,61,828.40	1	EA	1	A
PL-34902001	K5 FIXTURE FOR CMPS500	21,894.40	1	EA	1	A
PL-34902041	WAGO WMB 3,5/4/4,2/5	20,555.10	1	EA	1	A
PL-34902047	PHOENIX CONTACT ZB FIXTURE FOR CMPS500	21,894.90	1	EA	1	A
PL-34902057	K9 FIXTURE FOR CMPS500	21,894.40	1	EA	1	A
PL-34902075	WAGO WSB5/5.2 FIXTURE FOR CMP500	20,555.10	1	EA	1	A
PL-34902076	WAGO WSB MINI FIXTURE FOR CMP500	20,555.10	1	EA	1	A
PL-34902077	ELMEX KN 5,5;6,5;8 FIXTURE FOR VP500	20,555.10	1	EA	1	A
PL-34902081	K2 FIXTURE FOR CMPS500	21,894.40	1	EA	1	A
PL-35001025	PLOTR PEN-R .25 MM / REFILLABLE PEN	13,538.60	1	EA	1	A
PL-35001035	PLOTR PEN-R .35 MM / REFILLABLE PEN	13,538.60	1	EA	1	A
PL-35003118	DISPOSABLE PLOTTER PEN-D .18 MM ED BLACK	6,926.00	1	EA	1	A
PL-35003125	DISPO PLOTTER PEN-D .25 MM ED BLACK	6,926.00	1	EA	1	A
PL-35003135	DISPO PLOTTER PEN-D .35 MM ED BLACK	6,926.00	1	EA	1	A
PL-35003150	DISPOSABLE PLOTTER PEN-D .50 MM ED BLACK	6,416.80	1	EA	1	A
PL-35100001	PERM ETCHING INK P-2.0, BOTTLE 30 ML	3,472.40	1	EA	1	A
PL-36922254	PLOTTER ARM Y COMPLETE	82,180.70	1	EA	1	A
PL-36922259	PEN HOLDER	22,316.20	1	EA	1	A
PL-36922262	PEN CLIP ADAPTOR FOR PEN HOLDER	1,819.40	1	EA	1	A
PL-36922337	Keyboard for Plotter CMPS500 (Half Size)	9,564.50	1	EA	1	A
PL-36922354	PCB HALL SWITCH X - Y ARM (HALF SIZE)	8,147.40	1	EA	1	A
PL-36922369	CONTROL PCB FOR CMPS500 (HALF SIZE)	80,218.10	1	EA	50	A

Part #	Description	List Price in ₹	Per	UOM	Std. Pack	Group
PL-36922376	RIBBON CABLE FOR CMPS500 BASIC PLOTTER	6,527.70	1	EA	1	A
PL-36922433	PEN HOLDER 600	22,762.80	1	EA	1	A
PP2.5/4UN	PARTITION PLATE FOR CTS2.5UN/4UN/2.5UE	11.40	1	EA	50	B
PP2.5/4UNBK	PART PLT FR 2.5UN/4UN BLK	12.50	1	EA	50	B
PP2.5/4UNBU	PART PLT FR 2.5UN/4UN BLU	12.50	1	EA	50	B
PP2.5/4UNGN	PART PLT FR 2.5UN/4UN GRN	12.50	1	EA	50	B
PP2.5/4UNO	PART PLT FR 2.5UN/4UN ORG	12.50	1	EA	250	B
PP2.5/4UNR	PART PLT FR 2.5UN/4UN RED	12.50	1	EA	50	B
PP2.5/4UNY	PART PLT FR 2.5UN/4UN YLW	12.50	1	EA	50	B
PP25UN	PARTITION PLATE FOR CTS25UN	15.30	1	EA	50	B
PP35UN	PARTITION PLATE FOR CTS35UN	16.80	1	EA	50	B
PP6/10U	PARTITION PLATE FOR CTS6U/10U	14.10	1	EA	50	B
PP6/10UBU	PART PL FR CTS6U/10U BLU	15.50	1	EA	50	B
PP6/10UGN	PARTITION PLATE FOR CTS6U/10U GRN	15.50	1	EA	50	B
PPCBB	PARTITION PLATE FOR CBB35/50 /CBB70	31.60	1	EA	10	B
PPCBB1	PARTITION PLATE FOR CBB95/120/150/185	36.60	1	EA	10	B
PPCMT4	PARTITION PLATE FOR CMT4	7.70	1	EA	50	B
PPCMT4BU	PARTITION PLATE FOR CMT4 BLUE	8.50	1	EA	50	B
PPCSFL4U	PARTITION PLATE FOR CSFL4U & CSDL4U	14.80	1	EA	5000	B
PPCX10	PARTITION PLATE FOR CX10	12.20	1	EA	20	A
PPCX4	PARTITION PLATE FOR CX4	8.60	1	EA	50	A
PPCX4/3	PARTITION PLATE FOR CX4/3	10.60	1	EA	50	A
PPCX4/4	PARTITION PLATE FOR CX4/4	14.10	1	EA	50	A
PPCY2.5/10	PARTITION PLATE FOR CY2.5/4/6/10	13.30	1	EA	50	A
PPCYDL2.5/4	PARTITION PLATE FOR CYDL2.5 CYDL4	16.70	1	EA	50	A
PSPTB35/50	PROTECTIVE SHROUD FOR PTB35/50	18.10	1	EA	20	B
PSPTB35/50BK	PROTECTIVE SHROUD FOR PTB35/50 BLK	19.90	1	EA	20	B
PSPTB35/50BU	PROTECTIVE SHROUD FOR PTB35/50 BLU	19.90	1	EA	20	B
PSPTB35/50Y	PROTECTIVE SHROUD FOR PTB35/50 YLW	19.90	1	EA	20	B
PSPTB70/95	PROTECTIVE SHROUD FR PTB70/95	27.80	1	EA	20	B
PTB120/150	150 mm ² FT BARRIER TYPE BOLT TB	519.80	1	EA	5	B
PTB120/150SH	150 mm ² FT BARRIER TYPE SHROUDED BOLT TB	560.20	1	EA	10	B
PTB120/150SHBK	150 mm ² FT BARRIER TYPE SHRD BOLT BLK	616.20	1	EA	5	B
PTB120/150SHGN	150 mm ² FT BARRIER TYPE SHRD BOLT TB GRN	645.50	1	EA	5	B
PTB120/150SHR	150 mm ² FT BARRIER TYPE SHRD BOLT RED	616.20	1	EA	5	B
PTB185/240	240 mm ² FEED THRU BARRIER TYPE BOLT TB	825.80	1	EA	2	B
PTB185/240SH	240 mm ² FT BARRIER TYPE SHROUDED BOLT TB	910.00	1	EA	2	B
PTB300	300 mm ² FEED THRU BARRIER TYPE BOLT TB	1,105.40	1	EA	2	B
PTB300SH	300 mm ² FT BARRIER TYPE SHROUDED BOLT TB	1,150.40	1	EA	2	B
PTB35/50	50 mm ² FEED THRU BARRIER TYPE BOLT TB	204.00	1	EA	10	B
PTB35/50/M	50 mm ² FEED THRU BARRIER TYPE BOLT TB	204.00	1	EA	10	B
PTB35/50BK	50 mm ² FEED THRU BARRIER TYP BOLT TB BLK	224.40	1	EA	10	B
PTB35/50BU	50 mm ² FEED THRU BARRIER TYP BOLT TB BLU	224.40	1	EA	10	B
PTB35/50GN	50 mm ² FEED THRU BARRIER TYP BOLT TB GRN	224.40	1	EA	10	B
PTB35/50R	50 mm ² FEED THRU BARRIER TYP BOLT TB RED	224.40	1	EA	10	B
PTB35/50SH	50 mm ² FT BARRIER TYPE SHROUDED BOLT TB	230.50	1	EA	10	B
PTB35/50SHBK	50 mm ² BARRIER TYPE SHROUD BOLT TB BLK	253.50	1	EA	10	B
PTB35/50SHBU	50 mm ² BARRIER TYPE SHROUD BOLT TB BLU	253.50	1	EA	10	B
PTB35/50SHGN	50 mm ² BARRIER TYPE SHROUD BOLT TB GREEN	253.50	1	EA	10	B
PTB35/50SHR	50 mm ² BARRIER TYPE SHROUD BOLT TB RED	253.50	1	EA	10	B
PTB35/50SHY	50 mm ² BARRIER TYPE SHROUD BOLT TB YLW	253.50	1	EA	10	B

Part #	Description	List Price in ₹	Per	UOM	Std. Pack	Group
PTB35/50Y	50 mm ² FEED THRU BARRIER TYP BOLT TB YLW	224.40	1	EA	10	B
PTB70/95	95 mm ² FEED THRU BARRIER TYPE BOLT TB	295.00	1	EA	10	B
PTB70/95BK	95 mm ² FEED THRU BARRIER TYP BOLT TB BLK	324.50	1	EA	10	B
PTB70/95BU	95 mm ² FEED THRU BARRIER TYP BOLT TB BLU	324.50	1	EA	10	B
PTB70/95GN	95 mm ² FEED THRU BARRIER TYP BOLT TB GRN	339.90	1	EA	10	B
PTB70/95R	95 mm ² FEED THRU BARRIER TYP BOLT TB RED	324.50	1	EA	10	B
PTB70/95SH	95 mm ² FT BARRIER TYPE SHROUDED BOLT TB	355.00	1	EA	10	B
PTB70/95SHBK	95 mm ² BARRIER TYPE SHROUD BOLT TB BLK	390.50	1	EA	10	B
PTB70/95SHBU	95 mm ² BARRIER TYPE SHROUD BOLT TB BLU	390.50	1	EA	10	B
PTB70/95SHR	95 mm ² BARRIER TYPE SHROUD BOLT TB RED	390.50	1	EA	10	B
PTB70/95SHY	95 mm ² BARRIER TYPE SHROUD BOLT TB YLW	390.50	1	EA	10	B
PTB70/95Y	95 mm ² FEED THRU BARRIER TYP BOLT TB YLW	324.50	1	EA	10	B
QJ11/2	2P BANANA PLUG FOR STH4DT	97.50	1	EA	25	B
QJ11/3	3P BANANA PLUG FOR STH4DT	127.10	1	EA	25	B
QJ11/4	4P BANANA PLUG FOR STH4DT / STH4DTSH	194.80	1	EA	25	B
QJ8/2	2P BANANA PLUG FOR CDS6U/CDTTU SERIES	93.20	1	EA	25	B
SB5X202A	FUSE SB - 2.00 AMP (5X20)MM	13.30	1	EA	50	A
SB5X204A	FUSE SB - 4.00 AMP (5X20)MM	13.30	1	EA	1	A
SB5X205A	FUSE SB - 5.00 AMP (5X20)MM	13.30	1	EA	50	A
SCA 2.5	ACTUATOR FOR 5mm WIDE SPRING CLAMP TB	39.90	1	EA	10	A
SCM0.4/2.5	0.4X2.5mm SCREWDRIVER FOR SPRING CLAMP	310.70	1	EA	10	A
SCM0.5/3	0.5X3mm SCREWDRIVER FOR SPRING CLAMP	328.20	1	EA	10	A
SCM0.8/4	0.8X4mm SCREWDRIVER FOR SPRING CLAMP	386.30	1	EA	10	A
SCM1/5.5	1X5.5mm SCREWDRIVER FOR SPRING CLAMP	484.90	1	EA	10	A
SCNT6	SIZE 6 NUT DRIVER	653.40	1	EA	10	A
SCPH1	PHILLIPS NO.1 SCREW DRIVER	341.20	1	EA	10	A
SCPH2	PHILLIPS NO.2 SCREW DRIVER	450.10	1	EA	10	A
SCPH2I	PHILLIPS NO.2 INSULATED SCREW DRIVER	493.60	1	EA	10	A
SCS0.5/3	0.5X3mm SCREW DRIVER FOR SLOTTED SCREWS	261.30	1	EA	10	A
SCS0.5/3I	0.5X3mm INSU SCREW DRIVR FR SLTTD SCREW	363.00	1	EA	10	A
SCS0.6/3.5	0.6X3.5mm SCREW DRIVER FR SLTTED SCREWS	290.40	1	EA	10	A
SCS0.6/3.5I	0.6X3.5mm INSU SCREW DRVR FR SLTTD SCREW	363.00	1	EA	10	A
SCS0.8/4	0.8X4mm SCREW DRIVER FOR SLOTTED SCREWS	363.00	1	EA	10	A
SCS0.8/4I	0.8X4mm INSU SCREW DRIVER FR SLTTD SCREW	399.30	1	EA	10	A
SCS1/5.5	1X5.5mm SCREW DRIVER FOR SLOTTED SCREWS	464.60	1	EA	10	A
SCS1/5.5I	1X5.5mm INSU SCREW DRIVER FR SLTTD SCREW	493.60	1	EA	10	A
SCSLS	INSU SCREW FR SHRT LNK CDS6U	10.70	1	EA	50	A
SLS2	2POLE CT SHORTING LINK FOR CDS6U SERIES	29.30	1	EA	50	B
SLS3	3POLE CT SHORTING LINK FOR CDS6U SERIES	43.90	1	EA	25	B
SLS4	4POLE CT SHORTING LINK FOR CDS6U SERIES	58.50	1	EA	25	B
SP2.5/4UN	SEPARATOR PLATE FOR CTS2.5UN/4UN	4.40	1	EA	100	B
SP6/10U	SEPARATOR PLATE FOR CTS6U/10U/16U	4.40	1	EA	100	B
SPCDL4U	SEP PLT FR CDL4U GRY	4.50	1	EA	100	B
SPCDLG2.5	SEPARATOR PLATE FOR CDLG2.5	11.20	1	EA	100	B
SPCMB4	SEPARATOR PLATE FOR CMB4	4.90	1	EA	50	B
SPCP8L32	SEPARATOR PLATE FOR CP8L32	57.20	1	EA	10	A
STH3	6 mm ² M3 CAPTIVE NUT STUD TYPE TERMINAL	39.90	1	EA	100	B
STH3BK	6 mm ² M3 CAPTIV NUT STUD TYPE TB BLK	43.80	1	EA	100	B
STH3BU	6 mm ² M3 CAPTIV NUT STUD TYP TB BLU	43.80	1	EA	100	B
STH3GN	6 mm ² M3 CAPTIV NUT STD TYPE TB GRN	43.80	1	EA	50	B
STH3R	6 mm ² M3 CAPTIV NUT STUD TYPE TB RED	43.80	1	EA	100	B

Part #	Description	List Price in ₹	Per	UOM	Std. Pack	Group
STH3Y	6 mm ² M3 CAPTIV NUT STD TYPE TB YLW	43.80	1	EA	50	B
STH4	6 mm ² M4 CAPTIVE NUT STUD TYPE TERMINAL	48.30	1	EA	50	B
STH4BK	6 mm ² M4 CAPTIVE NUT STUD TYPE TB BLACK	53.10	1	EA	50	B
STH4BU	6 mm ² M4 CAPTIVE NUT STUD TYPE TB BLUE	53.10	1	EA	50	B
STH4DT	6 mm ² DISCONNECT CAPTIVE NUT STUD TYP TB	77.80	1	EA	50	B
STH4DTBK	6 mm ² DISCON CAPTIVE NUT STUD TYP TB BLK	85.50	1	EA	50	B
STH4DTBU	6 mm ² DISCON CAPTIVE NUT STUD TYP TB BLU	85.50	1	EA	50	B
STH4DTFT	6 mm ² M4 FD THRU CAPTVE NUT STUD TYPE TB	69.30	1	EA	50	B
STH4DTFTBU	6SQ FD THRU (HINGE)TB BLU WTH STH4DT PRO	76.20	1	EA	50	B
STH4DTGN	6 mm ² DISCON CAPTIVE NUT STUD TYP TB GRN	85.50	1	EA	50	B
STH4DTR	6 mm ² DISCON CAPTIVE NUT STUD TYP TB RED	85.50	1	EA	50	B
STH4DTSH	6 mm ² DISCON CAPTIVE NUT INT SHRTD TB	162.90	1	EA	24	B
STH4DTP	6 mm ² DISCON TEST SOCKET NUT STUD TYP TB	87.00	1	EA	50	B
STH4DTY	6 mm ² DISCON CAPTIVE NUT STUD TYP TB YLW	85.50	1	EA	50	B
STH4GN	6 mm ² M4 CAPTIVE NUT STUD TYPE TB GREEN	53.10	1	EA	50	B
STH4R	6 mm ² M4 CAPTIVE NUT STUD TYPE TB RED	53.10	1	EA	50	B
STH4TP	HINGE TYPE PA STUD TB GRY WTH TP	55.60	1	EA	50	B
STH4Y	6 mm ² M4 CAPTIVE NUT STUD TYPE TB YELLOW	53.10	1	EA	50	B
STH6	35 mm ² M6 CAPTIVE NUT STUD TYPE TB	112.00	1	EA	50	B
STH6BK	35 mm ² M6 CAPTIV NUT STUD TYP TB BLK	123.20	1	EA	50	B
STH6BU	35 mm ² M6 CAPTIV NUT STUD TYP TB BLU	123.20	1	EA	50	B
STH6GN	35 mm ² M6 CAPTIV NUT STUD TYP TB GRN	123.20	1	EA	50	B
STH6R	35 mm ² M6 CAPTIV NUT STUD TYP TB RED	123.20	1	EA	50	B
STH6Y	35 mm ² M6 CAPTIV NUT STUD TYP TB YLW	123.20	1	EA	50	B
SWCBDT	SWITCHABLE LINK ASSEMBLY FOR CBDT4U	31.70	1	EA	50	B
SWCDS	SWITCHABLE LINK ASSEMBLY FOR CDS6U	27.00	1	EA	50	B
SWL16	WARNING LABEL FR SPRING CL 12mm WIDE TB	756.20	1	EA	100	A
SWL4	WARNING LABEL FR SCREW CLMP 6mm WIDE TB	756.20	1	PKT	1	B
SWL6	WARNING LABEL FR SCREW CLMP 8mm WIDE TB	756.20	1	PKT	1	B
TM3.5	TREE MARKER FOR MOUNTING ON CPDL1.5	10.60	1	EA	50	A
TM5	TREE MARKER FOR MOUNTING ON CXDL2.5	13.30	1	EA	50	A
TPSL5	INSULATED TEST SOCKT FR CDS6U SERIES	20.00	1	EA	50	B
TPSL5BK	INSULATED TEST SOCKT FR CDS6U SERIES BLK	22.60	1	EA	50	B
TPSL5BU	INSULATED TEST SOCKT FR CDS6U SERIES BLU	22.60	1	EA	50	B
TPSL5GN	INSULATED TEST SOCKT FR CDS6U SERIES GRN	22.60	1	EA	50	B
TPSL5R	INSULATED TEST SOCKT FR CDS6U SERIES RED	22.60	1	EA	50	B
TPSL5Y	INSULATED TEST SOCKT FR CDS6U SERIES YLW	22.60	1	EA	50	B
TX2.5	2.5mm ² TEST PLUG FOR CX2.5	53.20	1	EA	20	A
WLX10	PA FINGRSafe COVR FITS CX10	612.20	1	PKT	1	A
WLX2.5	PA FINGRSafe COVR FITS CSC2.5T/CX2.5	484.00	1	PKT	1	A
WLX2.5/V	WARNING LABEL FR SPRING CL 5mm WD TB	544.50	1	PKT	1	A
WLX4	PA FINGRSafe COVR FITS CX4	605.00	1	PKT	1	A
ZCA509/K10	10 MM WIDE MARKER BLANK W/O PACKG MATRL	4,822.80	1	SET	1	B
ZCA509/K12	12 MM WIDE MARKER BLANK W/O PACKG MATRL	5,692.50	1	SET	1	B
ZCA509/K15	15 MM WIDE MARKER BLANK W/O PACKG MATRL	5,692.50	1	SET	1	B
ZCA509/K16	16 MM WIDE MARKER BLANK W/O PACKG MATRL	5,692.50	1	SET	1	B
ZCA509/K2	5.75 MM WIDE MARKER BLANK W/O PACKG MATR	7,748.20	1	SET	1	B
ZCA509/K2B4	5.75 MM WIDE MARKER BLANK W/O PACKG MATR	4,348.50	1	SET	1	B
ZCA509/K5	5 MM WIDE MARKER BLANK W/O PACKG MATRL	7,748.20	1	SET	1	B
ZCA509/K6	6 MM WIDE MARKER BLANK W/O PACKG MATRL	7,748.20	1	SET	1	B
ZCA509/K8	8 MM WIDE MARKER BLANK W/O PACKG MATRL	4,427.50	1	SET	1	B

Part #	Description	List Price in ₹	Per	UOM	Std. Pack	Group
ZCA509/K9	9 MM WIDE MARKER BLANK W/O PACKG MATRL	4,427.50	1	SET	1	B

ELECTRONICS

Part #	Description	List Price in ₹	Per	UOM	Std. Pack	Group
ADID24V	ADID ADAPTOR	1,792.00	1	EA	1	D
ADIF24V	ADIF ADAPTOR	1,792.00	1	EA	1	D
ADOD24V	ADOD ADAPTOR	1,792.00	1	EA	1	D
ADOF24V	ADOF ADAPTOR	1,792.00	1	EA	1	D
CDR10	24V, 10A REDUNDANT MODULE	2,160.00	1	EA	1	E
CDR20	24V, 20A REDUNDANT MODULE	3,240.00	1	EA	1	E
CFTDPR4	FAN MONITOR 4 FAN REDUNDANT + TEMP	7,799.90	1	EA	1	E
CIMRE1SS2/110A/OM	1CO 2CH CW RLY MOD 110AC BASE OM RAIL MT	955.80	1	EA	1	E
CIMRE1SS2/12/OM	1CO 2CH CW RLY MOD 12DC BASE OM RAIL MT	754.90	1	EA	1	E
CIMRE1SS2/230A/OM	1CO 2CH CW RLY MOD 230AC BASE OM RAIL MT	1,165.30	1	EA	1	E
CIMRE1SS2/24/OM	1CO 2CH CW RLY MOD 24DC BASE OM RAIL MT	525.90	1	EA	1	E
CIMRE1SS2/24A/OM	1CO 2CH CW RLY MOD 24AC BASE OM RAIL MT	1,030.30	1	EA	1	E
CIMRE1SS4/110A/OM	1CO 4CH CW RLY MOD 110AC BASE OM RAIL MT	1,840.30	1	EA	1	E
CIMRE1SS4/12/OM	1CO 4CH CW RLY MOD 12DC BASE OM RAIL MT	1,373.70	1	EA	1	E
CIMRE1SS4/230A/OM	1CO 4CH CW RLY MOD 230AC BASE OM RAIL MT	2,122.20	1	EA	1	E
CIMRE1SS4/24/OM	1CO 4CH CW RLY MOD 24DC BASE OM RAIL MT	912.60	1	EA	1	E
CIMRE1SS4/24A/OM	1CO 4CH CW RLY MOD 24AC BASE OM RAIL MT	2,128.60	1	EA	1	E
CIMRE1SS8/110A/OM	1CO 8CH CW RLY MOD 110AC BASE OM RAIL MT	3,639.60	1	EA	1	E
CIMRE1SS8/12/OM	1CO 8CH CW RLY MOD 12DC BASE OM RAIL MT	2,582.20	1	EA	1	E
CIMRE1SS8/230A/OM	1CO 8CH CW RLY MOD 230AC BASE OM RAIL MT	3,970.00	1	EA	1	E
CIMRE1SS8/24/OM	1CO 8CH CW RLY MOD 24DC BASE OM RAIL MT	1,717.20	1	EA	1	E
CIMRE1SS8/24A/OM	1CO 8CH CW RLY MOD 24AC BASE OM RAIL MT	3,358.80	1	EA	1	E
CIMRE2SS2/110A/OM	2CO 2CH CW RLY MOD 110AC BASE OM RAIL MT	1,121.00	1	EA	1	E
CIMRE2SS2/12/OM	2CO 2CH CW RLY MOD 12DC BASE OM RAIL MT	949.70	1	EA	1	E
CIMRE2SS2/230A/OM	2CO 2CH CW RLY MOD 230AC BASE OM RAIL MT	1,144.80	1	EA	1	E
CIMRE2SS2/24/OM	2CO 2CH CW RLY MOD 24DC BASE OM RAIL MT	731.40	1	EA	1	E
CIMRE2SS2/24A/OM	2CO 2CH CW RLY MOD 24AC BASE OM RAIL MT	1,139.00	1	EA	1	E
CIMRE2SS4/110A/OM	2CO 4CH CW RLY MOD 110AC BASE OM RAIL MT	2,142.70	1	EA	1	E
CIMRE2SS4/12/OM	2CO 4CH CW RLY MOD 12DC BASE OM RAIL MT	1,756.10	1	EA	1	E
CIMRE2SS4/230A/OM	2CO 4CH CW RLY MOD 230AC BASE OM RAIL MT	2,175.10	1	EA	1	E
CIMRE2SS4/24/OM	2CO 4CH CW RLY MOD 24DC BASE OM RAIL MT	1,249.50	1	EA	1	E
CIMRE2SS4/24A/OM	2CO 4CH CW RLY MOD 24AC BASE OM RAIL MT	2,122.40	1	EA	1	E
CIMRE2SS8/110A/OM	2CO 8CH CW RLY MOD 110AC BASE OM RAIL MT	3,845.80	1	EA	1	E
CIMRE2SS8/12/OM	2CO 8CH CW RLY MOD 12DC BASE OM RAIL MT	3,214.00	1	EA	1	E
CIMRE2SS8/230A/OM	2CO 8CH CW RLY MOD 230AC BASE OM RAIL MT	4,148.20	1	EA	1	E
CIMRE2SS8/24/OM	2CO 8CH CW RLY MOD 24DC BASE OM RAIL MT	2,361.90	1	EA	1	E
CIMRE2SS8/24A/OM	2CO 8CH CW RLY MOD 24AC BASE OM RAIL MT	3,988.30	1	EA	1	E
CSER1-120U380A2XC	SLIM RELY MOD SSR 1NO 120VAC/DC SP CL	956.30	1	EA	10	E
CSER1-120U380A2YC	SLIM RELY MOD SSR 1NO 120VAC/DC SW CL	956.30	1	EA	10	E
CSER1-120U48D100XC	SLIM RELY MOD SSR 1NO 120VAC/DC SP CL	847.00	1	EA	10	E
CSER1-120U48D100YC	SLIM RELY MOD SSR 1NO 120VAC/DC SW CL	847.00	1	EA	10	E
CSER1-120U48D4XC	SLIM RELY MOD SSR 1NO 120VAC/DC SP CL	1,310.80	1	EA	10	E

Part #	Description	List Price in ₹	Per	UOM	Std. Pack	Group
CSER1-120U48D4YC	SLIM RELY MOD SSR 1NO 120VAC/DC SW CL	1,310.80	1	EA	10	E
CSER1-230A380A2XC	SLIM RELY MOD SSR 1NO 230VAC SP CL	990.70	1	EA	10	E
CSER1-230A380A2YC	SLIM RELY MOD SSR 1NO 230VAC SW CL	990.70	1	EA	10	E
CSER1-230A48D100XC	SLIM RELY MOD SSR 1NO 230VAC SP CL	956.30	1	EA	10	E
CSER1-230A48D100YC	SLIM RELY MOD SSR 1NO 230VAC SW CL	956.30	1	EA	10	E
CSER1-230A48D4XC	SLIM RELY MOD SSR 1NO 230VAC SP CL	1,382.30	1	EA	10	E
CSER1-230A48D4YC	SLIM RELY MOD SSR 1NO 230VAC SW CL	1,382.30	1	EA	10	E
CSER1-24D380A2XC	SLIM RELY MOD SSR 1NO 24VDC SP CL	956.30	1	EA	10	E
CSER1-24D380A2YC	SLIM RELY MOD SSR 1NO 24VDC SW CL	956.30	1	EA	10	E
CSER1-24D48D100XC	SLIM RELY MOD SSR 1NO 24VDC SP CL	819.70	1	EA	10	E
CSER1-24D48D100XD	SLIM RELY MOD SSR 1NO 24VDC SP CL	819.70	1	EA	10	E
CSER1-24D48D100YC	SLIM RELY MOD SSR 1NO 24VDC SW CL	819.70	1	EA	10	E
CSER1-24D48D4XC	SLIM RELY MOD SSR 1NO 24VDC SP CL	1,275.10	1	EA	10	E
CSER1-24D48D4XD	SLIM RELY MOD SSR 1NO 24VDC SP CL	1,229.50	1	EA	10	E
CSER1-24D48D4YC	SLIM RELY MOD SSR 1NO 24VDC SW CL	1,275.10	1	EA	10	E
CSER1-24D48D4YD	SLIM RELY MOD SSR 1NO 24VDC SW CL	1,229.50	1	EA	10	E
CSER1-24U380A2XC	SLIM RELY MOD SSR 1NO 24VAC/DC SP CL	956.30	1	EA	10	E
CSER1-24U380A2YC	SLIM RELY MOD SSR 1NO 24VAC/DC SW CL	956.30	1	EA	10	E
CSER1-24U48D100XC	SLIM RELY MOD SSR 1NO 24VAC/DC SP CL	847.00	1	EA	10	E
CSER1-24U48D100YC	SLIM RELY MOD SSR 1NO 24VAC/DC SW CL	847.00	1	EA	10	E
CSER1-24U48D100YD	SLIM RELY MOD SSR 1NO 24VAC/DC SW CL	847.00	1	EA	10	E
CSER1-24U48D4XC	SLIM RELY MOD SSR 1NO 24VAC/DC SP CL	1,310.80	1	EA	10	E
CSER1-24U48D4YC	SLIM RELY MOD SSR 1NO 24VAC/DC SW CL	1,310.80	1	EA	10	E
CSER1-24U48D4YD	SLIM RELY MOD SSR 1NO 24VAC/DC SW CL	1,264.00	1	EA	10	E
CSER1-4860U380A2XC	SLIM RELY MOD SSR 1NO 48-60VAC/DC SP CL	956.30	1	EA	10	E
CSER1-4860U380A2YC	SLIM RELY MOD SSR 1NO 48-60VAC/DC SW CL	956.30	1	EA	10	E
CSER14860U48D100XC	SLIM RELY MOD SSR 1NO 48-60VAC/DC SP CL	847.00	1	EA	10	E
CSER14860U48D100YC	SLIM RELY MOD SSR 1NO 48-60VAC/DC SW CL	847.00	1	EA	10	E
CSER1-4860U48D4XC	SLIM RELY MOD SSR 1NO 48-60VAC/DC SP CL	1,310.80	1	EA	10	E
CSER1-4860U48D4YC	SLIM RELY MOD SSR 1NO 48-60VAC/DC SW CL	1,310.80	1	EA	10	E
CSR1S-120UXA	SLIM RELY MOD EMR 1CO 120VAC/DC SP CL	471.90	1	EA	10	E
CSR1S-120UXB	SLIM RELY MOD CW EMR 1CO 120VAC/DC SP CL	451.40	1	EA	10	E
CSR1S-120UYA	SLIM RELY MOD EMR 1CO 120VAC/DC SW CL	471.90	1	EA	10	E
CSR1S-120UYB	SLIM RELY MOD CW EMR 1CO 120VAC/DC SW CL	451.40	1	EA	10	E
CSR1S-12UXA	SLIM RELY MOD EMR 1CO 12VAC/DC SP CL	451.40	1	EA	10	E
CSR1S-12UYA	SLIM RELY MOD EMR 1CO 12VAC/DC SW CL	451.40	1	EA	10	E
CSR1S-230AXA	SLIM RELY MOD EMR 1CO 230VAC SP CL	571.30	1	EA	10	E
CSR1S-230AXB	SLIM RELY MOD CW EMR 1CO 230VAC SP CL	546.40	1	EA	10	E
CSR1S-230AYA	SLIM RELY MOD EMR 1CO 230VAC SW CL	571.30	1	EA	10	E
CSR1S-230AYB	SLIM RELY MOD CW EMR 1CO 230VAC SW CL	546.40	1	EA	10	E
CSR1S-230UXA	SLIM RELY MOD EMR 1CO 230VAC/DC SP CL	631.10	1	EA	10	E
CSR1S-230UXA-SN	SLIM RELY MOD EMR 1CO 230VUC-SN SP CL	1,209.60	1	EA	10	E
CSR1S-230UXB	SLIM RELY MOD CW EMR 1CO 230VAC/DC S	582.10	1	EA	10	E
CSR1S-230UYA	SLIM RELY MOD EMR 1CO 230VAC/DC SW CL	619.80	1	EA	10	E
CSR1S-230UYA-SN	SLIM RELY MOD EMR 1CO 230VUC-SN SC CL	1,209.60	1	EA	10	E
CSR1S-230UYB	SLIM RELY MOD CW EMR 1CO 230VAC/DC S	582.10	1	EA	10	E
CSR1S-24DXA	SLIM RELY MOD EMR 1CO 24VDC SP CL	393.70	1	EA	10	E
CSR1S-24DXB	SLIM RELY MOD CW EMR 1CO 24VDC SP CL	376.50	1	EA	10	E
CSR1S-24DYA	SLIM RELY MOD EMR 1CO 24VDC SW CL	393.70	1	EA	10	E
CSR1S-24DYB	SLIM RELY MOD CW EMR 1CO 24VDC SW CL	376.50	1	EA	10	E
CSR1S-24UXA	SLIM RELY MOD EMR 1CO 24VAC/DC SP CL	471.90	1	EA	10	E

Part #	Description	List Price in ₹	Per	UOM	Std. Pack	Group
CSR1S-24UXB	SLIM RELY MOD CW EMR 1CO 24VAC/DC SP CL	451.40	1	EA	10	E
CSR1S-24UYA	SLIM RELY MOD EMR 1CO 24VAC/DC SW CL	471.90	1	EA	10	E
CSR1S-24UYB	SLIM RELY MOD CW EMR 1CO 24VAC/DC SW CL	451.40	1	EA	10	E
CSR1S-48-60UXA	SLIM RELY MOD EMR 1CO 48-60VAC/DC SP CL	471.90	1	EA	10	E
CSR1S-48-60UXB	SLIM RELY MOD CW EMR 1CO 48-60VAC/DC SP CL	451.40	1	EA	10	E
CSR1S-48-60UYA	SLIM RELY MOD EMR 1CO 48-60VAC/DC SW CL	471.90	1	EA	10	E
CSR1S-48-60UYB	SLIM RELY MOD CW EMR 1CO 48-60VAC/DC SW CL	451.40	1	EA	10	E
CSR1S-5DXA	SLIM RELY MOD EMR 1CO 5VDC SP CL	451.40	1	EA	10	E
CSR1S-5DYA	SLIM RELY MOD EMR 1CO 5VDC SW CL	451.40	1	EA	10	E
CSS120/24/5	SMPS CW 1PH 120W 24VDC 5A	3,700.00	1	EA	1	E
CSS240/24/10	SMPS 1PH 240W 24VDC 10A RL MNTG	6,800.00	1	EA	1	E
CSS480/24/20	SMPS 1PH 480W 24VDC 20A RL MNTG	12,600.00	1	EA	1	E
CSS50/24/2.1	SMPS CW 1PH 50W 24VDC 2.1A	1,530.00	1	EA	1	E
CSS60/24/2.5	SMPS CW 1PH 60W 24VDC 2.5A	1,560.00	1	EA	1	E
IMACC/SER/24D48D4	IM ACC SSR 24DC IN & DC OUT 4A	1,121.10	1	EA	50	E
IMACC/SR1S/12	IM ACC SLIM RELAY 1CO 12VDC	247.10	1	EA	50	E
IMACC/SR1S/24	IM ACC SLIM RELAY 1CO 24VDC	218.50	1	EA	50	E
IMACC/SR1S/60	IM ACC SLIM RELAY 1CO 60VDC	406.50	1	EA	50	E
IMCC/10	10CH COMP CARRIER MOD RAIL MNT (IMCC/10)	427.60	1	EA	1	D
IMCC/12	12CH COMP CARRIER MOD RAIL MNT	513.20	1	EA	1	D
IMCC/16	16CH COMP CARRIER MOD RAIL MNT	670.00	1	EA	1	D
IMCC/20	20CH COMP CARRIER MOD RAIL MNT (IMCC/20)	798.30	1	EA	1	D
IMCC/24	24CH COMP CARRIER MOD RAIL MNT	955.10	1	EA	1	D
IMCC/4	4CH COMP CARRIER MOD RAIL MNT	213.80	1	EA	1	D
IMCC/8	8CH COMP CARRIER MOD RAIL MNT	370.60	1	EA	1	D
IMCUS/DO16/24/DM37	CUST MOD 2CO 24DC RLY DO16 DM37 WDC RLMT	7,068.90	1	EA	1	D
IMD/CA/14	14CH DIODE MOD CMN ANODE RAIL MNT	456.10	1	EA	1	D
IMD/CA/16	16CH DIODE MOD CMN ANODE RAIL MNT	441.90	1	EA	1	D
IMD/CA/22	22CH DIODE MOD CMN ANODE RAIL MNT	655.70	1	EA	1	D
IMD/CA/6	6CH DIODE MOD CMN ANODE RAIL MNT	242.30	1	EA	1	D
IMD/CK/22	22CH DIODE MOD CMN CATH RAIL MNT	655.70	1	EA	1	D
IMD/S/10	10CH DIODE MOD SNGL DIODE RAIL MNT	570.20	1	EA	1	D
IMD/S/12	12CH DIODE MOD SNGL DIODE RAIL MNT	584.40	1	EA	1	D
IMD/S/16	16CH DIODE MOD SNGL DIODE RAIL MNT	755.50	1	EA	1	D
IMD/S/20	20CH DIODE MOD SNGL DIODE RAIL MNT	940.80	1	EA	1	D
IMD/S/24	24CH DIODE MOD SNGL DIODE RAIL MNT	1,117.60	1	EA	1	D
IMD/S/4	4CH DIODE MOD SNGL DIODE RAIL MNT	242.30	1	EA	1	D
IMD/S/8	8CH DIODE MOD SNGL DIODE RAIL MNT	427.60	1	EA	1	D
IMDB1/11-H	DISTRIBUTION MOD 1 IN 11 OUTx2 HORIZ (IMDB1/11-H)	584.40	1	EA	1	D
IMDB1/15-H	DISTRIBUTION MOD 1 IN 15 OUTx2 HORIZ (IMDB1/15-H)	719.90	1	EA	1	D
IMDB1/19-H	DISTRIBUTION MOD 1 IN 19 OUTx2 HORIZ (IMDB1/19-H)	883.80	1	EA	1	D
IMDB1/31-H	DISTRIBUTION MOD 1 IN 31 OUTx2 HORIZ (IMDB1/31-H)	1,320.90	1	EA	1	D
IMDB1/5-H	DISTRIBUTION MOD 1 IN 5 OUTx2 HORIZ (IMDB1/5-H)	392.00	1	EA	1	D
IMDB2/12	DISTRIBUTION MOD 2 IN 12 OUT	576.50	1	EA	1	D
IMDB2/6	DISTRIBUTION MOD 2 IN 6 OUT	340.00	1	EA	1	D
IMDLT/AC/10	10CH AC LAMP TST MOD RAIL MNT	842.60	1	EA	1	D
IMDLT/AC/22	22CH AC LAMP TST MOD RAIL MNT	1,069.20	1	EA	1	D
IMDLT/AC/5	5CH AC LAMP TST MOD RAIL MNT	456.10	1	EA	1	D
IMDLT/DC/CA/10	10CH DCLAMP TSTMOD CMNANODE RAILMNT	812.50	1	EA	1	D
IMDLT/DC/CA/12	12CH DC LAMP TST MOD CMN ANODE RAIL MNT	869.60	1	EA	1	D
IMDLT/DC/CA/16	16CH DC LAMP TST MOD CMN ANODE RAIL MNT	1,340.00	1	EA	1	D

Part #	Description	List Price in ₹	Per	UOM	Std. Pack	Group
IMDLT/DC/CA/24	24CH DC LAMP TST CMN ANODE RAIL MT (IMDLT/DC/CA/24)	1,739.20	1	EA	1	D
IMDLT/DC/CA/5	5CH DCLAMP TSTMOD CMNANODE RAILMNT	513.20	1	EA	1	D
IMDLT/DC/CK/12	12CH DC LAMP TST MOD CMN CATH RAIL MNT	869.60	1	EA	1	D
IMDLT/DC/S/10	10CH DC LAMP TST MOD RAIL MNT	812.50	1	EA	1	D
IMDLT/DC/S/5	5CH DC LAMP TST MOD RAIL MNT	456.10	1	EA	1	D
IMDLT/DC/S/6	6CH DC LAMP TST MOD RAIL MNT (IMDLT/DC/S/6)	570.20	1	EA	1	D
IMDSUBF/15/H	15PIN F-DSUB MOD WTH HOLE RAIL MNT	484.70	1	EA	1	D
IMDSUBF/15/S	15PIN F-DSUB MOD RAIL MNT	370.60	1	EA	1	D
IMDSUBF/15/SC	15PIN F-DSUB MOD SPRING CAGE TB RAIL MNT (IMDSUBF/15/SC)	517.40	1	EA	1	D
IMDSUBF/25/H	25PIN F-DSUB MOD WTH HOLE RAIL MNT	684.20	1	EA	1	D
IMDSUBF/25/S	25PIN F-DSUB MOD RAIL MNT	570.20	1	EA	1	D
IMDSUBF/37/H	37PIN F-DSUB MOD WTH HOLE RAIL MNT	969.40	1	EA	1	D
IMDSUBF/37/L1	37PIN F-DSUB MOD LED INDIC. RAIL MNT	1,226.00	1	EA	1	D
IMDSUBF/37/S	37PIN F-DSUB MOD RAIL MNT	812.50	1	EA	1	D
IMDSUBF/37/SC	37PIN F-DSUB SPRING CAGE RAIL MT	1,147.00	1	EA	1	D
IMDSUBF/50/S	50PIN F-DSUB MOD RAIL MNT	983.60	1	EA	1	D
IMDSUBF/50/SC	50PIN F-DSUB SPRING CAGE RAIL MT (IMDSUBF/50/SC)	1,641.00	1	EA	1	D
IMDSUBF/9/H	9PIN F-DSUB MOD WTH HOLE RAIL MNT	327.80	1	EA	1	D
IMDSUBM/15/H	15PIN M-DSUB MOD WTH HOLE RAIL MNT	456.10	1	EA	1	D
IMDSUBM/15/S	15PIN M-DSUB MOD RAIL MNT	370.60	1	EA	1	D
IMDSUBM/15/SC	15PIN M-DSUB MOD SPRING CAGE TB RAIL MNT	517.40	1	EA	1	D
IMDSUBM/25/H	25PIN M-DSUB MOD WTH HOLE RAIL MNT	684.20	1	EA	1	D
IMDSUBM/25/L1	25PIN M-DSUB MOD LED INDIC. RAIL MNT	812.50	1	EA	1	D
IMDSUBM/25/MIL	25PIN M-DSUB MIL(LCSO) GRD MOD RLMT	1,475.40	1	EA	1	D
IMDSUBM/25/S	25PIN M-DSUB MOD RAIL MNT	570.20	1	EA	1	D
IMDSUBM/25/SC	25PIN M-DSUB MOD SPRING CAGE TB RAIL MNT	798.30	1	EA	1	D
IMDSUBM/37/H	37PIN M-DSUB MOD WTH HOLE RAIL MNT (IMDSUBM/37/H)	969.40	1	EA	1	D
IMDSUBM/37/L1	37PIN M-DSUB MOD LED INDIC. RAIL MNT	1,226.00	1	EA	1	D
IMDSUBM/37/S	37PIN M-DSUB MOD RAIL MNT	812.50	1	EA	1	D
IMDSUBM/37/SC	37PIN M-DSUB MOD SPRING CAGE TB RAIL MNT	1,217.20	1	EA	1	D
IMDSUBM/50/S	50PIN M-DSUB MOD RAIL MNT	983.60	1	EA	1	D
IMDSUBM/9/8CH	9 PIN M-DSUB 8CH MOD RAIL MNT	1,824.70	1	EA	1	D
IMDSUBM/9/L1	9PIN M-DSUB MOD LED INDIC. RAIL MNT	370.60	1	EA	1	D
IMDSUBM/9/S	9PIN M-DSUB MOD RAIL MNT	285.10	1	EA	1	D
IMDSUBM/9/SC	9PIN M-DSUB MOD SPRING CAGE TB RAIL MNT	354.80	1	EA	1	D
IMER4/05D125D2	4CH SSR MOD 05DC IN/OUT 2A ON PCB RL MTG	2,217.60	1	EA	1	E
IMER4/24D125D2	4CH SSR MOD 24DC IN/OUT 2A RL MNTG	3,464.20	1	EA	1	E
IMER4/24D400A3	4CH SSR 24DC I/P AC O/P 3A RL MNTG	5,125.00	1	EA	1	E
IMER8/05D125D2	8CH SSR 05DC IN/OUT 2A ON PCB RL MT	4,346.40	1	EA	1	E
IMER8/24D125D2	8CH SSR MOD 24DC IN/OUT 2A ON PCB RL MTG	6,857.10	1	EA	1	E
IMER8/24D400A3	8CH SSR 24DC I/P AC O/P 3A RL MNTG	10,378.30	1	EA	1	E
IMERS1/05D125D2	1CH SSR MOD 05DC IN/OUT 2A BASE RL MNTG	627.20	1	EA	5	E
IMERS1/24D125D2	1CH SSR MOD 24DC IN/OUT 2A BASE RL MNTG	926.60	1	EA	5	E
IMERS1/24D400A3	1CH SSR 24DC I/P AC O/P 3A BASE RL MNTG	1,215.30	1	EA	5	E
IMERS16/24D400A3	16CH SSR 24DC I/P AC O/P 3A BASE RL MNTG (IMERS16/24D400A3)	19,458.20	1	EA	1	E
IMERS2/24D125D2	2CH SSR MOD 24DC IN/OUT 2A BASE RL MNTG	1,667.90	1	EA	2	E
IMERS2/24D400A3	2CH SSR 24DC I/P AC O/P 3A BS RL MTG	2,665.80	1	EA	2	E
IMERS4/24D125D2	4CH SSR MOD 24DC IN/OUT 2A BASE RL MNTG	3,592.50	1	EA	1	E
IMERS4/24D400A3	4CH SSR 24DC I/P AC O/P 3A BASE RL MNTG	4,431.20	1	EA	1	E
IMERS8/05D125D2	8CH SSR MOD 05DC IN/OUT 2A BASE RL MT (IMERS8/05D125D2)	4,433.60	1	EA	1	E
IMERS8/05D400A3	8CH SSR 05DC I/P AC O/P 3A BS RL MTG	6,572.00	1	EA	1	E

Part #	Description	List Price in ₹	Per	UOM	Std. Pack	Group
IMERS8/24D125D2	8CH SSR MOD 24DC IN/OUT 2A BASE RL MNTG	7,142.20	1	EA	1	E
IMERS8/24D400A3	8CH SSR 24DC I/P AC O/P 3A BASE RL MNTG	10,620.70	1	EA	1	E
IMERSF16/05D125D2	16CH SSR 5DC IN/OUT FU 2A BASE RL MNTG (IMERSF16/05D125D2)	18,390.20	1	EA	1	E
IMERSF16/24D125D2	16CH SSR 24DC IN/OUT FU 2A BASE RL MNTG	18,532.80	1	EA	2	E
IMERSF16/24D400A3	16CH SSR 24DC I/P AC O/P 3A FU BSE RL MT	22,762.00	1	EA	2	E
IMERSF2/05D125D2	2CH SSR 05DC IN/OUT FU 2A BASE RL MNTG (IMERSF2/05D125D2)	2,494.80	1	EA	1	E
IMERSF2/24D125D2	2CHSSR24DC IN/OUT FU2A BASE RLMNTG	1,881.70	1	EA	2	E
IMERSF2/24D400A3	2CH SSR 24DC I/P AC O/P 3A FU BSE RL MT	2,522.10	1	EA	2	E
IMERSF4/24D125D2	4CH SSR 24DC IN/OUT FU 2A BASE RL MNTG	3,706.50	1	EA	1	E
IMERSF4/24D400A3	4CH SSR 24DC I/P AC O/P 3A FU RLMT	5,545.50	1	EA	1	E
IMERSF8/05D125D2	8CH SSR 05DC IN/OUT FU 2A BASE RL MNTG (IMERSF8/05D125D2)	8,468.00	1	EA	1	E
IMERSF8/05D400A3	8CH SSR 05DC IN/AC OUT 3A FU BASE RL MT	6,842.80	1	EA	1	E
IMERSF8/24D125D2	8CH SSR 24DC IN/OUT FU 2A BASE RL MNTG	7,370.30	1	EA	1	E
IMERSF8/24D400A3	8CH SSR 24DC I/P AC O/P 3A FU BASE RL MT	9,970.80	1	EA	1	E
IMERSFC8/24D400A3	8CH SSR 24DC I/P AC O/P3A .5AF BASE RLMT (IMERSFC8/24D400A3)	9,970.80	1	EA	1	E
IMF/4/S	FUSE MODULE WITH 04 FUSE HOLDERS	270.80	1	EA	1	D
IMFF/1	Fan Monitor for 2 fans-230V	4,232.80	1	EA	1	E
IMFF/1-110A	Fan Monitor For 2 Fans-110V	5,302.00	1	EA	5	E
IMFF/2	Fan Monitor for 4 fans-230V	6,237.00	1	EA	1	E
IMFFTD/2	Fan Monitor for 4 fans-230V With Temp Monitor	6,890.40	1	EA	1	E
IMFFTD/2-110A	Fan Monitor for 4 fans-110V With Temp Monitor	8,598.70	1	EA	1	E
IMFI/4/S/24	4CH FUSE MOD 24VAC/DC FU FAIL IND RL MT	299.30	1	EA	1	D
IMFI/8/S/24	8CH FUSE MOD 24VAC/DC FU FAIL IND RL MT	527.40	1	EA	1	D
IMIDC/10/H/L	10PIN IDC MOD LNG LTCH WTH HOLE RAIL MNT	299.30	1	EA	1	D
IMIDC/10/S/L	10PIN IDC MOD LNG LTCH RAIL MNT	256.60	1	EA	1	D
IMIDC/10/SC/L	10PIN IDC MOD SPR TB LNG LTCH RAIL MNT	310.40	1	EA	1	D
IMIDC/10/SC/LP	10PIN IDC MOD SPR TB LNG LTCH PNL MNTG	310.40	1	EA	1	D
IMIDC/14/S/L	14PIN IDC MOD LNG LTCH RAIL MNT	327.80	1	EA	1	D
IMIDC/16/S/L	16PIN IDC MOD LNG LTCH RAIL MNT	356.40	1	EA	1	D
IMIDC/20/H/L	20PIN IDC MOD LNG LTCH WTH HOLE RAIL (IMIDC/20/H/L)	498.90	1	EA	1	D
IMIDC/20/L1/L	20PIN IDC MOD LONG LATCH LED INDIC.	741.30	1	EA	1	D
IMIDC/20/S/L	20PIN IDC MOD LNG LTCH RAIL MNT	441.90	1	EA	1	D
IMIDC/20/SC/L	20PIN IDC MOD SPR TB LNG LTCH RAIL MNT	768.70	1	EA	1	D
IMIDC/26/H/L	26PIN IDC MOD LNG LTCH WTH HOLE RAIL MNT	670.00	1	EA	1	D
IMIDC/26/S/L	26PIN IDC MOD LNG LTCH RAIL MNT	555.90	1	EA	1	D
IMIDC/34/H/L	34PIN IDC MOD LNG LTCH WTH HOLE RAIL MNT (IMIDC/34/H/L)	641.50	1	EA	1	D
IMIDC/34/S/L	34PIN IDC MOD LNG LTCH RAIL MNT	613.00	1	EA	1	D
IMIDC/34/SC/L	34PIN IDC MOD SPR TB LNG LTCH RAIL MNT	798.30	1	EA	1	D
IMIDC/40/H/L	40PIN IDC MOD LNG LTCH WTH HOLE RAIL MNT	855.30	1	EA	1	D
IMIDC/40/L1/L	40PIN IDC MOD LONG LATCH LED INDIC (IMIDC/40/L1/L)	1,425.60	1	EA	1	D
IMIDC/40/S/L	40PIN IDC MOD LNG LTCH RAIL MNT	727.00	1	EA	1	D
IMIDC/40/S/L-1	40PIN IDC MOD LNG LTCH RL MT WITH CABLE	3,278.80	1	EA	1	D
IMIDC/40/SC/L	40PIN IDC MOD SPR TB LNG LTCH RAIL MNT	1,020.00	1	EA	1	D
IMIDC/50/H/L	50PIN IDC MOD LNG LTCH WTH HOLE RAIL MNT	1,083.40	1	EA	1	D
IMIDC/50/L1/L	50PIN IDC LONG LATCH LED INDIC RAIL (IMIDC/50/L1/L)	1,596.60	1	EA	1	D
IMIDC/50/S/L	50PIN IDC MOD LNG LTCH RAIL MNT	955.10	1	EA	1	D
IMIDC/50/SC/L	50PIN IDC SPR LNG LTCH RAIL MT _IMIDC/50/SC/L	1,271.40	1	EA	1	D
IMIDC/64/S/L	64PIN IDC MOD LNG LTCH RAIL MNT	1,297.20	1	EA	1	D
IMMR2SS1/230A	2CO 1CH MOD RLY 230~ BASE RAIL MT	712.80	1	EA	10	E
IMMR2SS1/24	2CO 1CH MOD RLY 24DC BASE RAIL MT	527.40	1	EA	10	E
IMMR2SS1/24A	2CO 1CH MOD RLY 24~ BASE RAIL MT	555.90	1	EA	10	E

Discontinued Products Details

Discontinued Product	Equivalent Product
CSDL4U	No Equivalent
DB70	No Equivalent
DB400	No Equivalent
DB185	No Equivalent
PDB70	No Equivalent
PDB120	No Equivalent
PDB185	No Equivalent
PDB400	No Equivalent
ADLG2.5	CXDLG2.5
ATL2.5	CPTL2.5
ATL2.5H	CPST1.5/3
ATLG2.5	CPTLG2.5
CP3L2.5	CPTL2.5
CP3L2.5(I.S)	CPTL2.5(I.S)
CP3LG2.5	CPTLG2.5
CP3LG2.5(I.S)	CPTLG2.5(I.S)
CCS2X2-6	No Equivalent
CCS3-8	No Equivalent
CCS4-13.5	No Equivalent
CCS10-20	No Equivalent
CCS15-32	No Equivalent
CSB4/N4U	CSB4/N4UN
CBDT4U	CBDT4UNS

Terms & Conditions:

Price	Ex Works Dombivli, excluding freight, taxes etc.
Packing & Forwarding	Included in the prices
GST	Extra as applicable at the time of despatch
Freight	To be borne by the customer
Insurance	Goods will be dispatched duly insured
Shortage / Loss in Transit	Shortage, damage or loss in transit, if any, should be intimated to us within 24 hours of the time of receipt of consignment. Necessary certificate from the transporter / railways should be forwarded to us.
Place of Jurisdiction	Mumbai, India
Note	<p>Standard Colour for Polyamide 66 Terminal Blocks is Grey.</p> <p>Standard Colour for Melamine Terminal Blocks is Khaki.</p> <p>Pre Assembled Terminal Block as per customer's drawing complete with marking tags, interconnecting and mounting accessories can be supplied on quote basis.</p> <p>This price list supersedes all our earlier price lists and is subject to revision without prior intimation.</p> <p>MKT/8.2/05</p>

Notes

A series of 20 horizontal light blue bars, each serving as a line for notes. The bars are evenly spaced and extend across the width of the page.

CONNECTWELL INDUSTRIES PVT. LTD.

B4, Phase 2, M.I.D.C., Dombivli - 421 204, India

connect@connectwell.com

+91 251 7120 600 / 6762 600



LinkedIn



connectwell.com

